

## ■ Features

- Ultra low profile.
- Magnetic shielded for low radiation.
- Bobbin ferrite core and compact size.
- Low core loss for high frequency power application.
- Large terminal surface for good PCB bonding.
- Operating temperature: -40°C ~ +125°C.

## ■ Applications

- Portable communication equipment.
- Notebook PC, digital camera, LCD television set.
- Power supply for VTR, OA equipment.
- DC/DC converters.

## ■ Product Identification

$\frac{\text{YPRH}}{(1)}$      $\frac{\square\square\square\square}{(2)}$  -  $\frac{\square\square\square}{(3)}$      $\frac{\square}{(4)}$

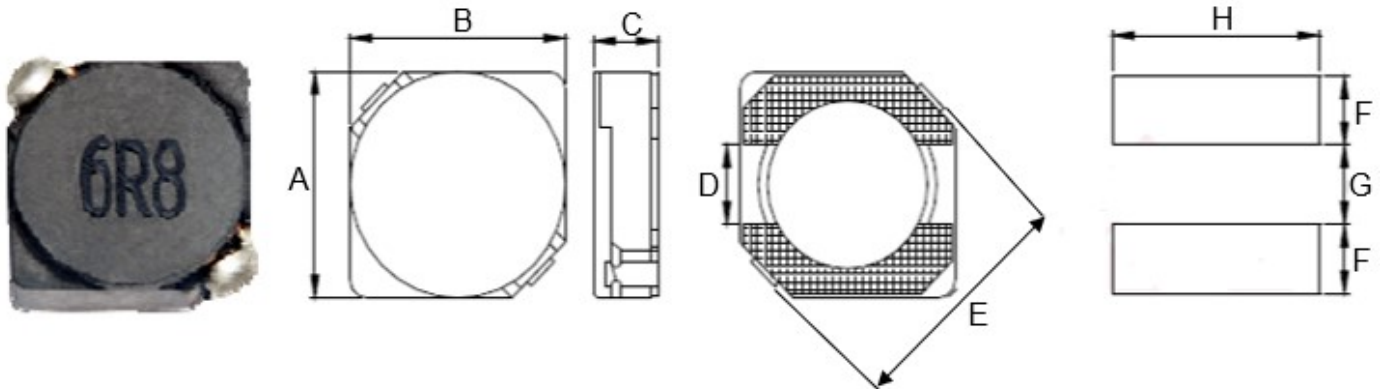
(1) : Type

(2) : Dimensions

(3) : Inductance value

(4) : Inductance Tolerance; N=±30%, M=±20%, K=±10%

**Shapes and Dimensions (Unit: mm)**



TYPE	A	B	C max.	D	E	F Ref.	G Ref.	H Ref.
YPRH3D16	3.8±0.3	3.8±0.3	1.8	1.15	5.2	1.6	1.2	4.4

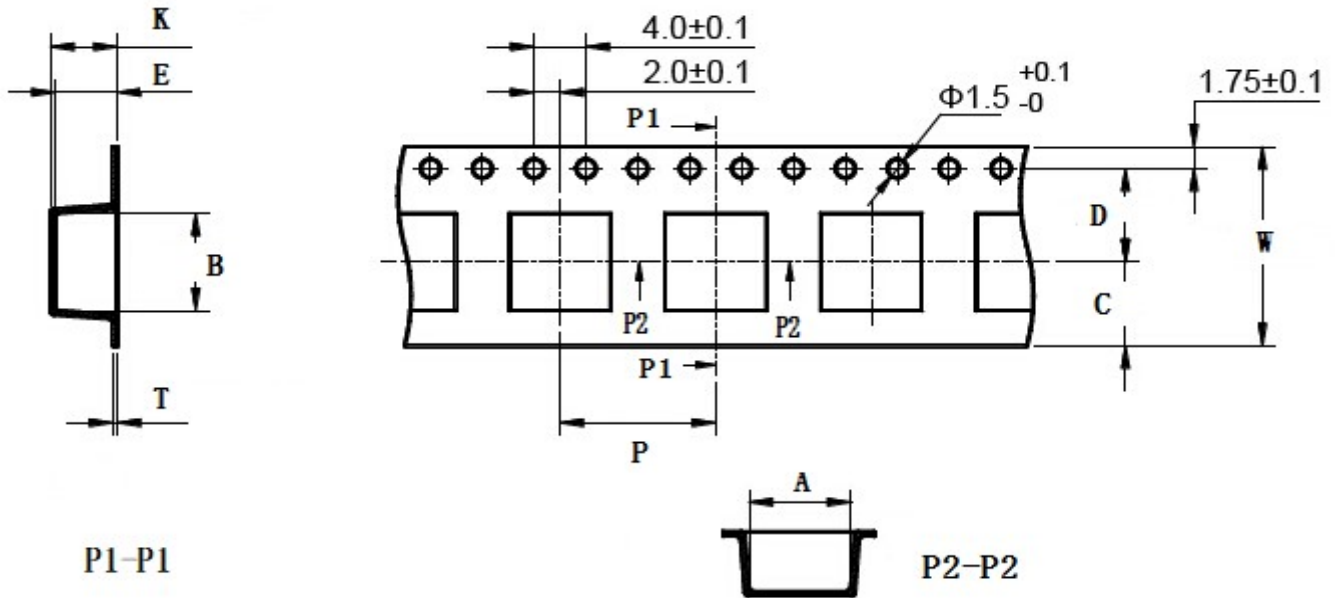
**YPRH3D16 Series**

Part Number	Inductance (uH)	Test Freq.(KHz)	DCR MAX.(Ω)	Rated Current (A)
YPRH3D16-R47□	0.47	100	0.035	2.75
YPRH3D16-1R0□	1.0	100	0.050	1.90
YPRH3D16-1R5□	1.5	100	0.052	1.55
YPRH3D16-2R2□	2.2	100	0.072	1.20
YPRH3D16-3R3□	3.3	100	0.085	1.10
YPRH3D16-4R7□	4.7	100	0.105	0.90
YPRH3D16-5R6□	5.6	100	0.160	0.85
YPRH3D16-6R8□	6.8	100	0.170	0.73
YPRH3D16-8R2□	8.2	100	0.188	0.64
YPRH3D16-100□	10.0	100	0.210	0.55
YPRH3D16-120□	12.0	100	0.240	0.48
YPRH3D16-150□	15.0	100	0.295	0.45
YPRH3D16-180□	18.0	100	0.400	0.40

Part Number	Inductance (uH)	Test Freq.(KHz)	DCR MAX.(Ω)	Rated Current (A)
YPRH3D16-220□	22.0	100	0.430	0.35
YPRH3D16-270□	27.0	100	0.650	0.32
YPRH3D16-330□	33.0	100	0.675	0.30
YPRH3D16-470□	47.0	100	0.860	0.24
YPRH3D16-680□	68.0	100	1.580	0.22
YPRH3D16-101□	100	100	2.410	0.17

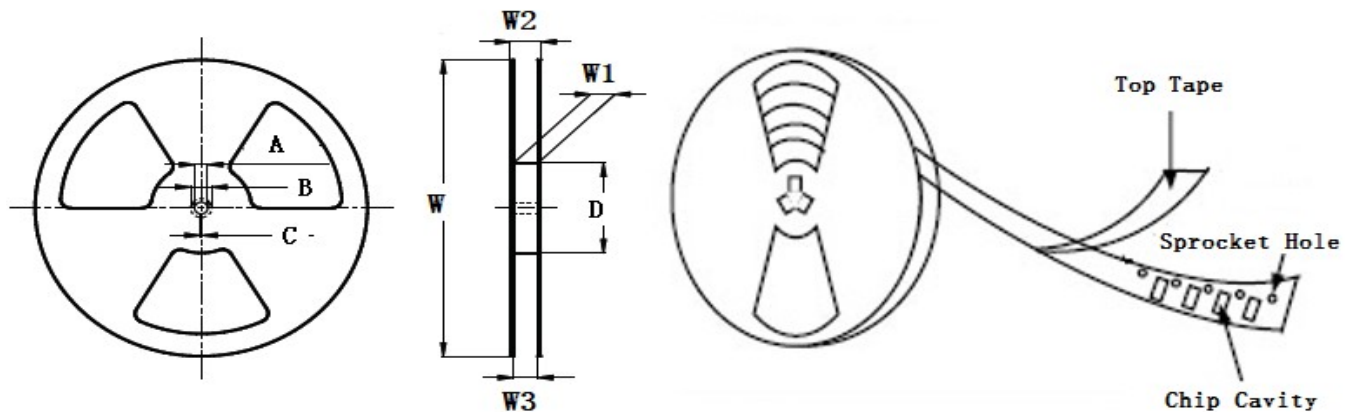
- ※ The saturation current value is the DC current value having inductance decrease down to 30%.(at 20°C)
- ※ The temperature rise current value is the DC current value having temperature increase up to 40°C. (at 20°C)
- ※ The rated current is the DC current value that satisfies both of current value saturation current value and temperature rise current value.

**■ Taping Dimensions(Unit:mm)**



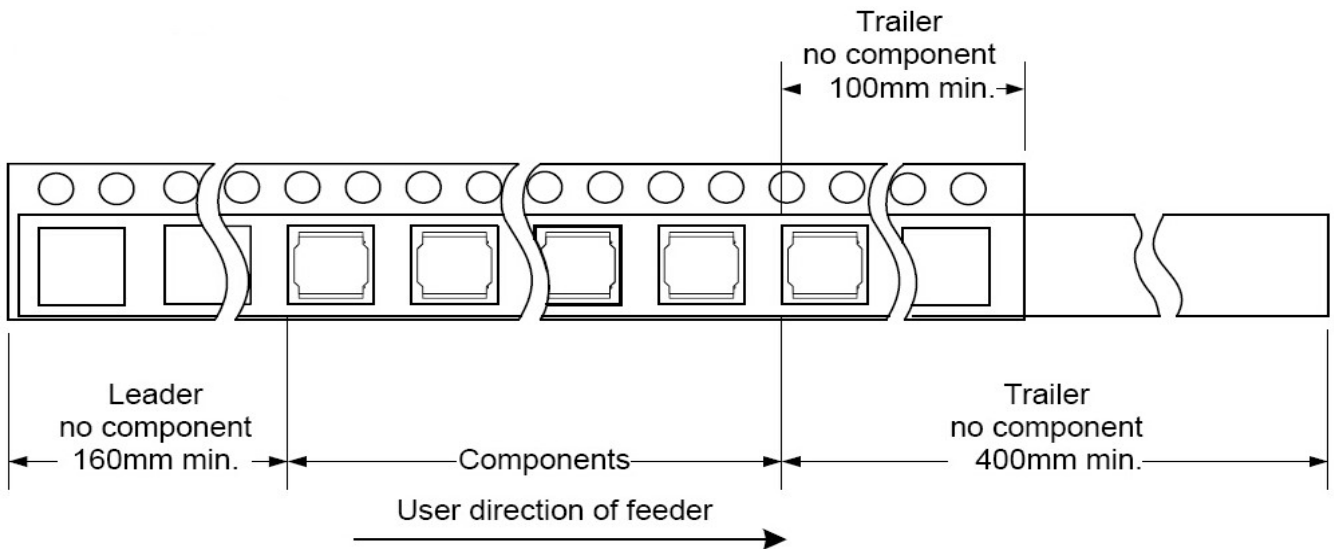
TYPE	W	A	B	C	D	E	P	K Ref	T	MPQ
YPRH3D16	12±0.3	4.35±0.1	4.35±0.1	4.75	5.5±0.1	2.10±0.1	8.0±0.1	2.30	0.40±0.05	3500

**■ Reel Dimensions(Unit:mm)**

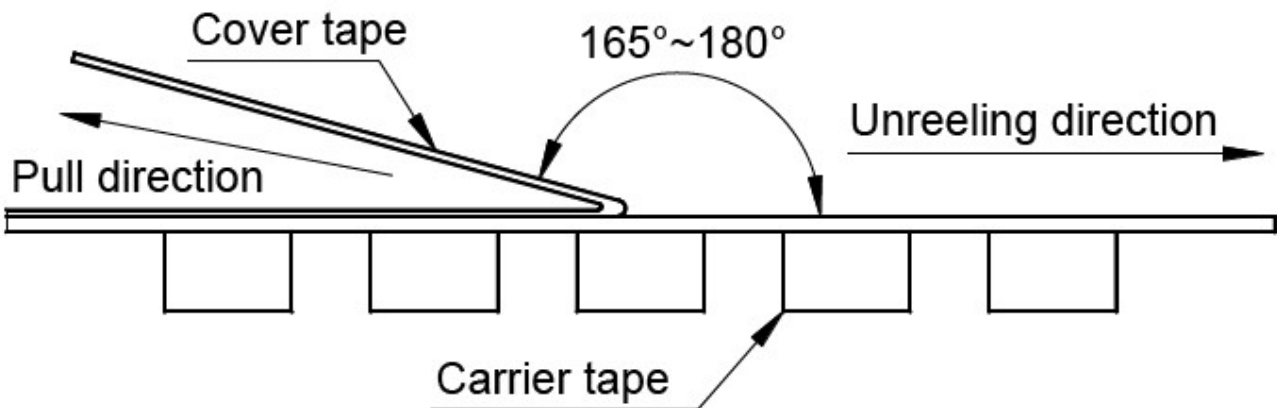


TYPE	W	W1	W2	W3	A	B	C	D
YPRH3D16	330±2.0	12.4±2.0	13.5MAX	11.9 Min	13.0±0.50	21.0±0.80	2.0±0.50	100 Min

**Direction of rolling**



**Cover tape peel off condition**



Cover tape peel force shall be 0.1N to 1.3N.

Reference peel speed 300±10mm/min.