

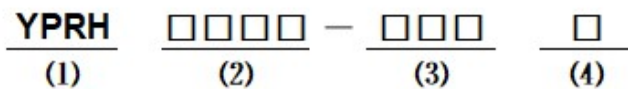
**■ Features**

- Ultra low profile.
- Magnetic shielded for low radiation.
- Bobbin ferrite core and compact size.
- Low core loss for high frequency power application.
- Large terminal surface for good PCB bonding.
- Operating temperature:-40℃ ~ +125℃.

**■ Applications**

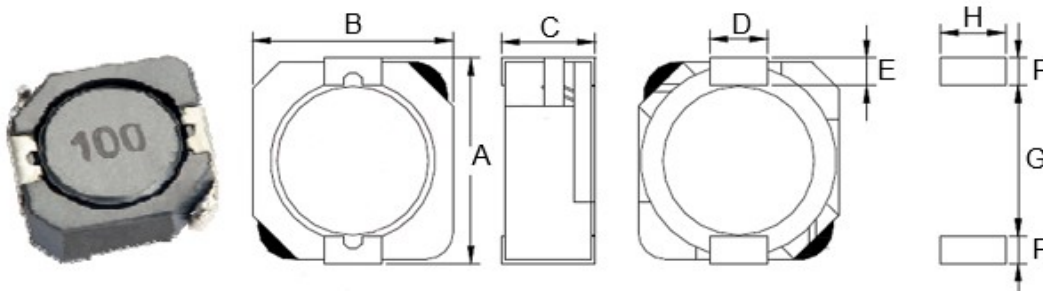
- Portable communication equipment.
- Notebook PC,digital camera,LCD television set.
- Power supply for VTR,OA equipment.
- DC/DC converters.

**■ Product Identification**



- (1) : Type
- (2) : Dimensions
- (3) : Inductance value
- (4) : Inductance Tolerance; N=±30%,M=±20%, K=±10%

**■ Shapes and Dimensions (Unit: mm)**



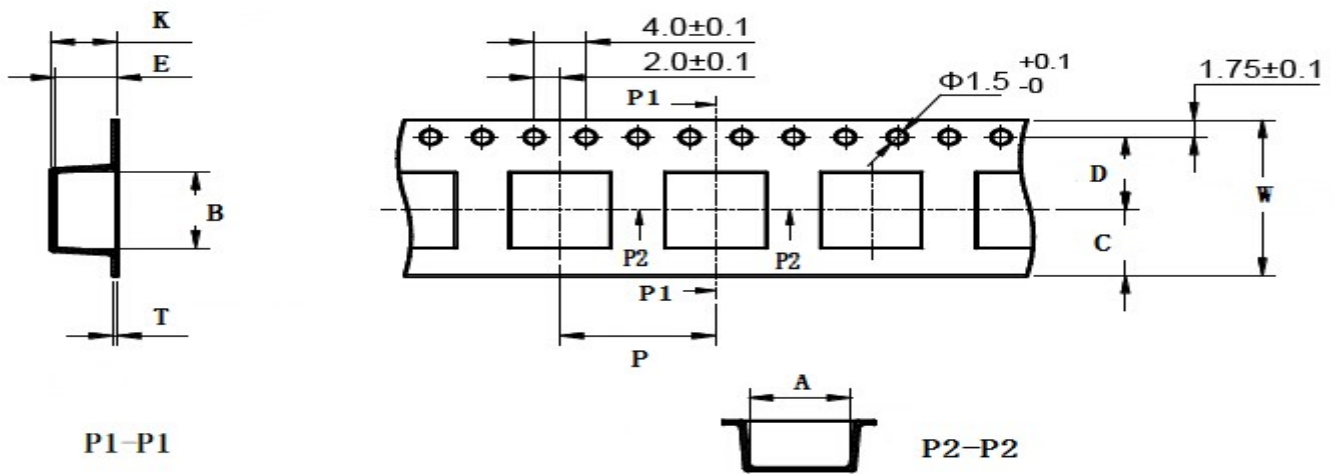
TYPE	A	B	C max	D	E	F Ref.	G Ref.	H Ref.
YPRH104R	10.2±0.3	10.0±0.3	3.8±0.3	3.0	1.2	1.6	7.3	3.2

### ■ YPRH104R Series

Part Number	Inductance ( $\mu$ H)	Test Freq. (KHz)	DCR MAX. ( $\Omega$ )	Saturation Current (A)	Heat Rating Current (A)
YPRH104R-1R0□	1.00	100	0.010	7.68	6.98
YPRH104R-2R2□	2.20	100	0.011	7.50	6.32
YPRH104R-2R7□	2.70	100	0.011	7.50	6.10
YPRH104R-3R9□	3.90	100	0.013	6.00	5.50
YPRH104R-4R7□	4.70	100	0.020	5.50	5.40
YPRH104R-5R2□	5.20	100	0.022	5.50	5.40
YPRH104R-6R8□	6.80	100	0.027	4.80	4.50
YPRH104R-100□	10.0	100	0.035	4.40	3.80
YPRH104R-120□	12.0	100	0.046	3.70	3.40
YPRH104R-150□	15.0	100	0.050	3.60	3.10
YPRH104R-180□	18.0	100	0.069	3.10	2.60
YPRH104R-220□	22.0	100	0.073	2.90	2.50
YPRH104R-270□	27.0	100	0.088	2.60	2.30
YPRH104R-330□	33.0	100	0.093	2.30	2.20
YPRH104R-390□	39.0	100	0.127	2.20	2.00
YPRH104R-470□	47.0	100	0.128	2.10	1.90
YPRH104R-560□	56.0	100	0.188	1.65	1.50
YPRH104R-680□	68.0	100	0.213	1.50	1.42
YPRH104R-820□	82.0	100	0.283	1.45	1.30
YPRH104R-101□	100	100	0.304	1.35	1.25
YPRH104R-121□	120	100	0.375	1.20	1.08
YPRH104R-151□	150	100	0.506	1.15	0.85
YPRH104R-181□	180	100	0.568	1.00	0.75
YPRH104R-221□	220	100	0.756	0.92	0.70
YPRH104R-271□	270	100	0.853	0.84	0.55
YPRH104R-331□	330	100	1.090	0.70	0.52
YPRH104R-471□	470	100	1.450	0.48	0.36

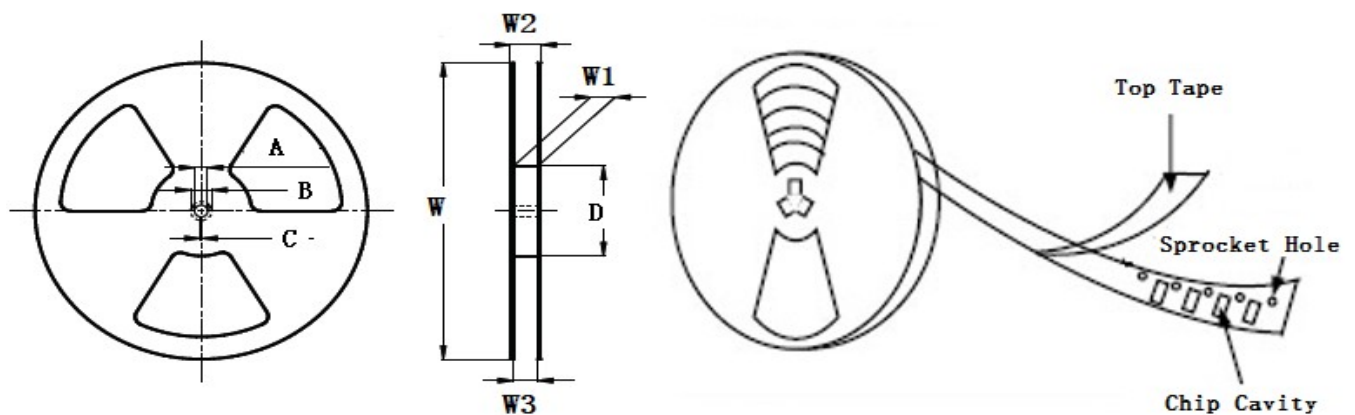
- ※ The saturation current value is the DC current value having inductance decrease down to 30%.(at 20°C)
- ※ The temperature rise current value is the DC current value having temperature increase up to 40°C. (at 20°C)
- ※ The rated current is the DC current value that satisfies both of current value saturation current value and temperature rise current value.

**■ Taping Dimensions(Unit:mm)**



TYPE	W	A	B	C	D	E	P	K Ref	T	MPQ
YPRH104R	24±0.3	10.55±0.1	10.55±0.1	10.75	11.5±0.1	4.2±0.1	16±0.1	4.4	0.5±0.05	1000

**■ Reel Dimensions(Unit:mm)**

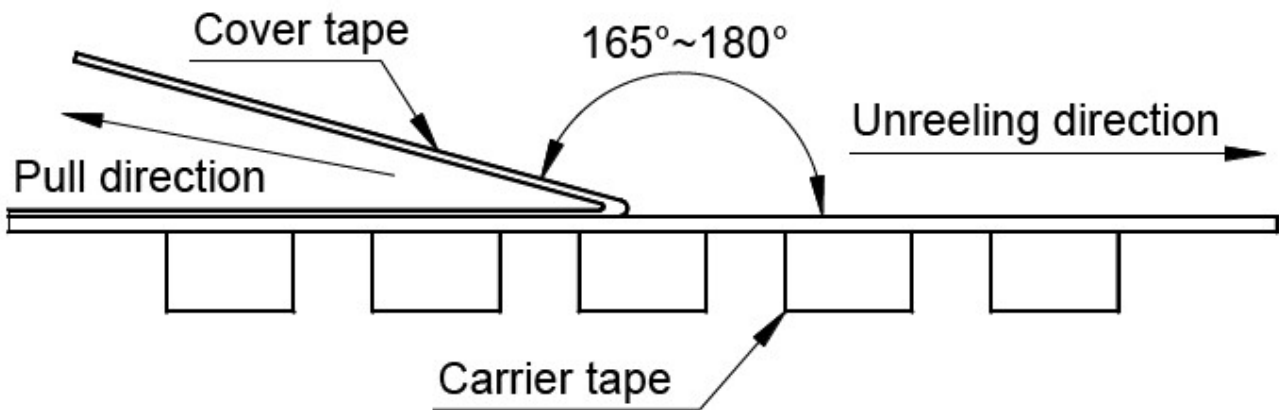


TYPE	W	W1	W2	W3	A	B	C	D
YPRH104R	330±2.0	24.4±1.50	30.4MAX	23.9Min	13.0±0.50	21.0±0.80	2.0±0.50	100 Min

**Direction of rolling**



**Cover tape peel off condition**



Cover tape peel force shall be 0.1N to 1.3N.

Reference peel speed  $300 \pm 10$ mm/min.