

**■ Features**

- Low profile construction and miniature size.
- Magnetic shielded construction.
- High current saturation.
- Operating temperature:-40°C ~ +125°C.
- RoHS compliant

**■ Applications**

- For small DC/DC converter(HDD,DVC,DSC,PDA,LCD display etc.).
- Car navigation systems,telecom base stations.
- VR,AR,LED lighting.

**■ Product Identification**



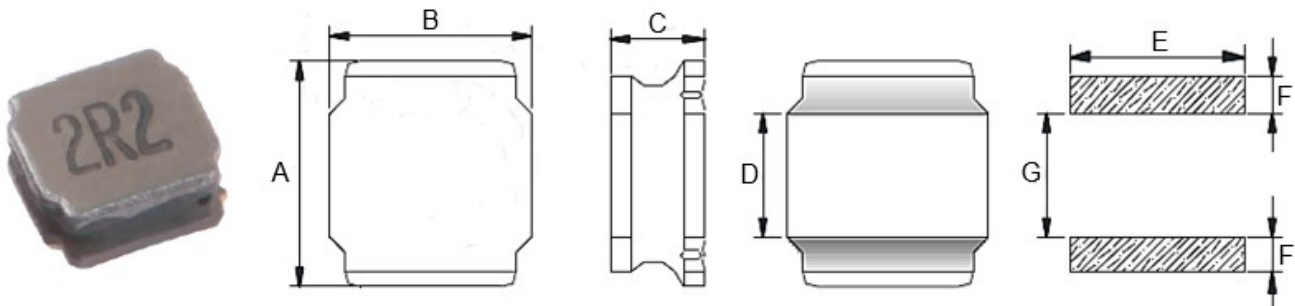
(1) : Type

(2) : Dimensions

(3) : Inductance value

(4) : Inductance Tolerance; N=±30%,M=±20%, K=±10%

**■ Shapes and Dimensions (Unit: mm)**



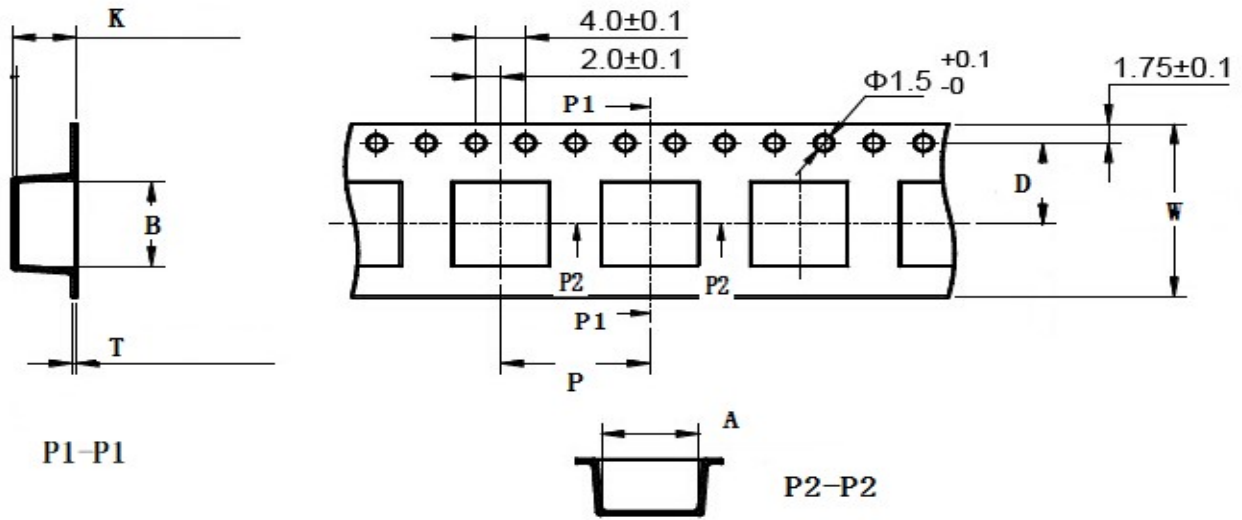
TYPE	A	B	C Max.	D	E Ref.	F Ref.	G Ref.
YNR5012	5.0±0.2	5.0±0.2	1.20	1.25±0.2	4.70	1.40	2.30

## ■ YNR5012 Series

Part Number	Inductance (uH) @100KHz	DC Resistance ( $\Omega$ )		Heat Rating Current (A)	Saturation Current (A)
		Typ.	Max.		
YNR5012-R22□	0.22	0.028	0.034	3.00	8.10
YNR5012-R47□	0.47	0.035	0.046	2.80	6.00
YNR5012-R68□	0.68	0.044	0.057	2.40	3.30
YNR5012-1R0□	1.00	0.057	0.068	2.00	4.40
YNR5012-1R5□	1.50	0.072	0.086	1.90	3.70
YNR5012-2R2□	2.20	0.090	0.108	1.70	3.10
YNR5012-3R3□	3.30	0.126	0.151	1.40	2.40
YNR5012-4R7□	4.70	0.164	0.197	1.30	2.20
YNR5012-6R8□	6.80	0.245	0.294	1.00	1.70
YNR5012-100□	10.0	0.344	0.413	0.85	1.40
YNR5012-150□	15.0	0.436	0.523	0.80	1.20
YNR5012-220□	22.0	0.780	0.858	0.60	0.88

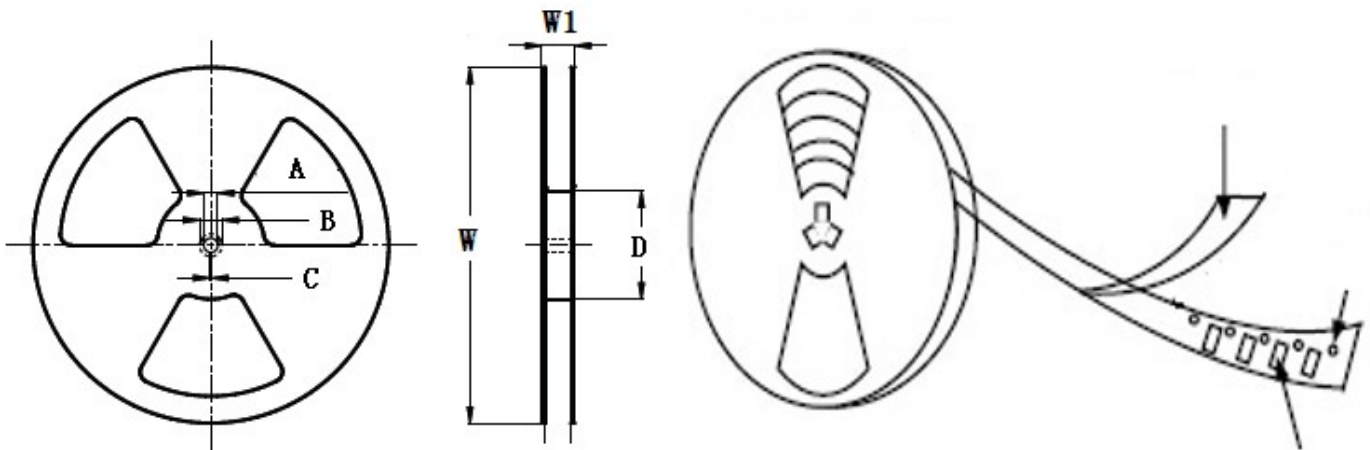
- ※ The saturation current value is the DC current value having inductance decrease down to 30%.(at 20°C)
- ※ The temperature rise current value is the DC current value having temperature increase up to 40°C. (at 20°C)
- ※ The rated current is the DC current value that satisfies both of current value saturation current value and temperature rise current value.

**■ Taping Dimensions(Unit:mm)**



TYPE	Chip Thickness	W	A	B	D	P	K Max	T Max	MPQ
YNR5012	1.20	12.0	5.30	5.30	5.50	8.00	1.40	0.35	3000

**■ Reel Dimensions(Unit:mm)**

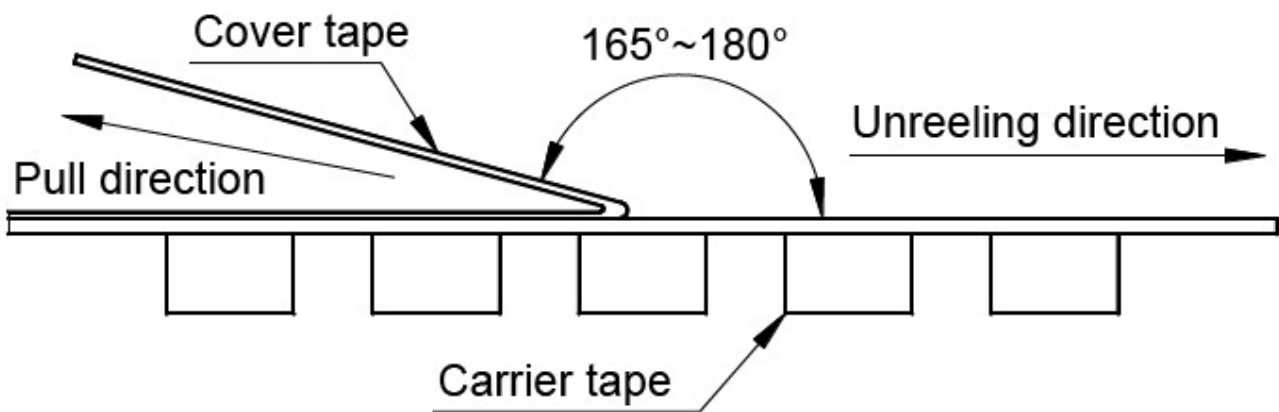


TYPE	W	W1	A	B	C	D
YNR5012	330±2.0	12.8±1.50	13.0±0.50	21.0±0.80	2.0±0.50	100 Min

**Direction of rolling**



**Cover tape peel off condition**



Cover tape peel force shall be 0.1N to 1.3N.

Reference peel speed  $300 \pm 10$  mm/min.