

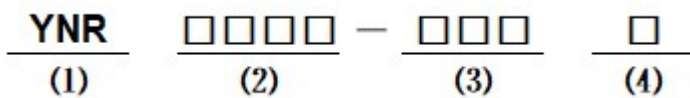
■ Features

- Low profile construction and miniature size.
- Magnetic shielded construction.
- High current saturation.
- Operating temperature:-40°C ~ +125°C.
- RoHS compliant

■ Applications

- For small DC/DC converter(HDD,DVC,DSC,PDA,LCD display etc.).
- Car navigation systems,telecom base stations.
- VR,AR,LED lighting.

■ Product Identification



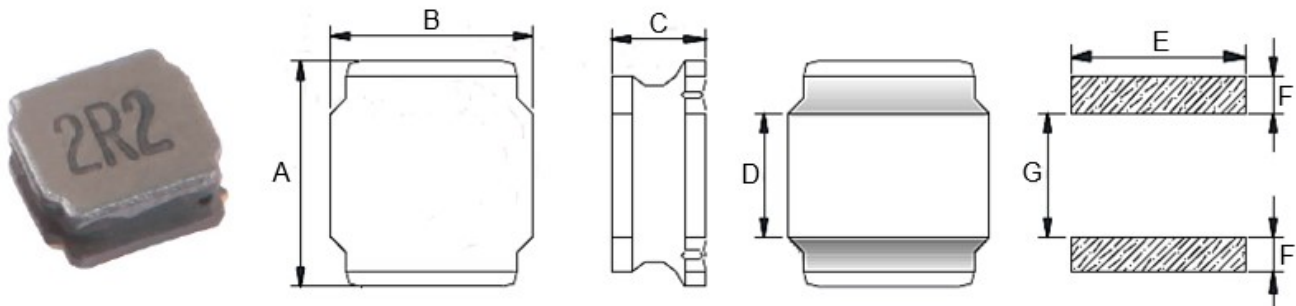
(1) : Type

(2) : Dimensions

(3) : Inductance value

(4) : Inductance Tolerance; N=±30%,M=±20%, K=±10%

■ Shapes and Dimensions (Unit: mm)



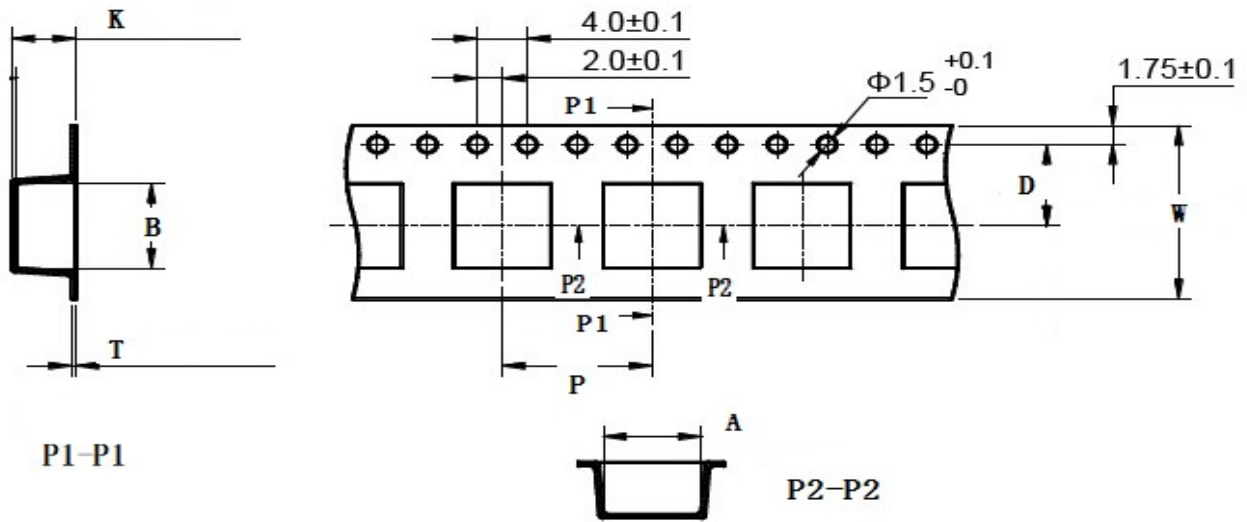
| TYPE | A | B | C Max. | D | E Ref. | F Ref. | G Ref. |
|---------|---------|---------|--------|----------|--------|--------|--------|
| YNR4018 | 4.0±0.2 | 4.0±0.2 | 1.80 | 0.95±0.2 | 3.70 | 1.10 | 1.90 |

■ YNR4018 Series

| Part Number | Inductance (uH) @100KHz | DC Resistance (Ω) | | Heat Rating Current (A) | Saturation Current (A) |
|--------------|----------------------------|----------------------------|-------|----------------------------|---------------------------|
| | | Typ. | Max. | | |
| YNR4018-R22□ | 0.22 | 0.010 | 0.013 | 5.50 | 6.30 |
| YNR4018-R47□ | 0.47 | 0.014 | 0.018 | 4.00 | 4.30 |
| YNR4018-R68□ | 0.68 | 0.020 | 0.026 | 3.30 | 4.90 |
| YNR4018-1R0□ | 1.00 | 0.025 | 0.033 | 2.00 | 4.80 |
| YNR4018-1R2□ | 1.20 | 0.025 | 0.033 | 2.00 | 3.40 |
| YNR4018-1R5□ | 1.50 | 0.030 | 0.039 | 1.80 | 3.35 |
| YNR4018-1R8□ | 1.80 | 0.034 | 0.044 | 2.00 | 3.00 |
| YNR4018-2R2□ | 2.20 | 0.045 | 0.059 | 1.65 | 2.70 |
| YNR4018-3R3□ | 3.30 | 0.070 | 0.091 | 1.23 | 2.45 |
| YNR4018-3R6□ | 3.60 | 0.090 | 0.117 | 1.20 | 2.50 |
| YNR4018-4R7□ | 4.70 | 0.090 | 0.117 | 1.20 | 1.70 |
| YNR4018-5R6□ | 5.60 | 0.107 | 0.139 | 1.50 | 1.60 |
| YNR4018-6R8□ | 6.80 | 0.110 | 0.143 | 1.06 | 1.45 |
| YNR4018-8R2□ | 8.20 | 0.170 | 0.221 | 1.40 | 1.40 |
| YNR4018-100□ | 10.0 | 0.180 | 0.234 | 0.84 | 1.30 |
| YNR4018-150□ | 15.0 | 0.250 | 0.325 | 0.65 | 0.94 |
| YNR4018-220□ | 22.0 | 0.360 | 0.468 | 0.59 | 0.80 |
| YNR4018-270□ | 27.0 | 0.470 | 0.611 | 0.52 | 0.47 |
| YNR4018-330□ | 33.0 | 0.530 | 0.689 | 0.49 | 0.56 |
| YNR4018-470□ | 47.0 | 0.650 | 0.845 | 0.42 | 0.57 |
| YNR4018-560□ | 56.0 | 1.000 | 1.300 | 0.32 | 0.61 |
| YNR4018-680□ | 68.0 | 1.000 | 1.300 | 0.32 | 0.47 |
| YNR4018-101□ | 100 | 1.750 | 2.275 | 0.25 | 0.40 |
| YNR4018-151□ | 150 | 2.500 | 3.250 | 0.22 | 0.31 |
| YNR4018-221□ | 220 | 4.000 | 5.200 | 0.17 | 0.27 |

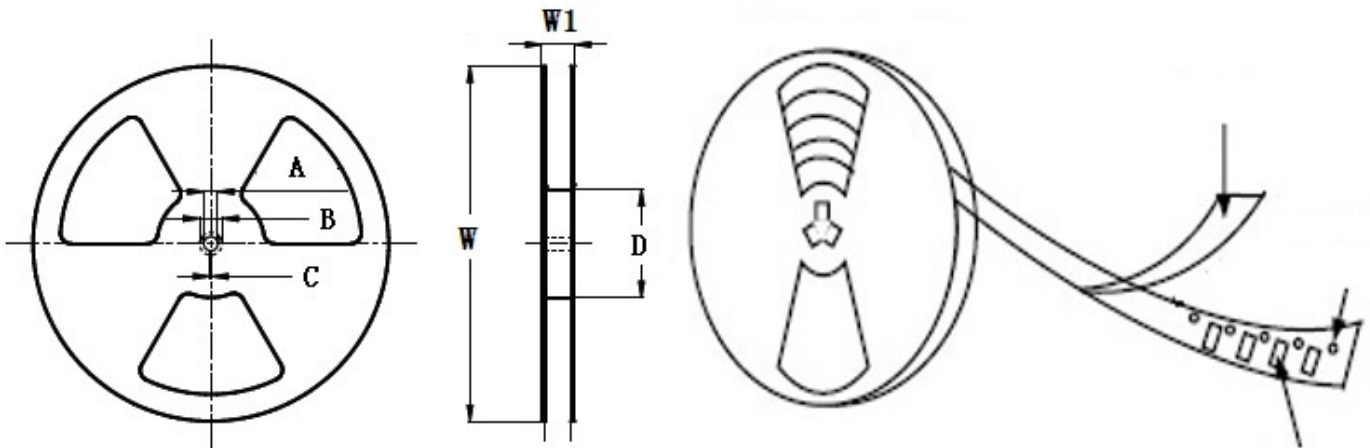
-
- ※ The saturation current value is the DC current value having inductance decrease down to 30%.(at 20°C)
 - ※ The temperature rise current value is the DC current value having temperature increase up to 40°C. (at 20°C)
 - ※ The rated current is the DC current value that satisfies both of current value saturation current value and temperature rise current value.

■ Taping Dimensions(Unit:mm)



| TYPE | Chip Thickness | W | A | B | D | P | K Max | T Max | MPQ |
|---------|----------------|------|------|------|------|------|-------|-------|------|
| YNR4018 | 1.80 | 12.0 | 4.30 | 4.30 | 5.50 | 8.00 | 2.10 | 0.35 | 3000 |

■ Reel Dimensions(Unit:mm)



| TYPE | W | W1 | A | B | C | D |
|---------|---------|-----------|-----------|-----------|----------|---------|
| YNR4018 | 330±2.0 | 12.8±1.50 | 13.0±0.50 | 21.0±0.80 | 2.0±0.50 | 100 Min |

Direction of rolling



Cover tape peel off condition



Cover tape peel force shall be 0.1N to 1.3N.

Reference peel speed 300±10mm/min.