

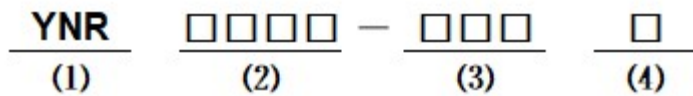
■ Features

- Low profile construction and miniature size.
- Magnetic shielded construction.
- High current saturation.
- Operating temperature:-40°C ~ +125°C.
- RoHS compliant

■ Applications

- For small DC/DC converter(HDD,DVC,DSC,PDA,LCD display etc.).
- Car navigation systems,telecom base stations.
- VR,AR,LED lighting.

■ Product Identification



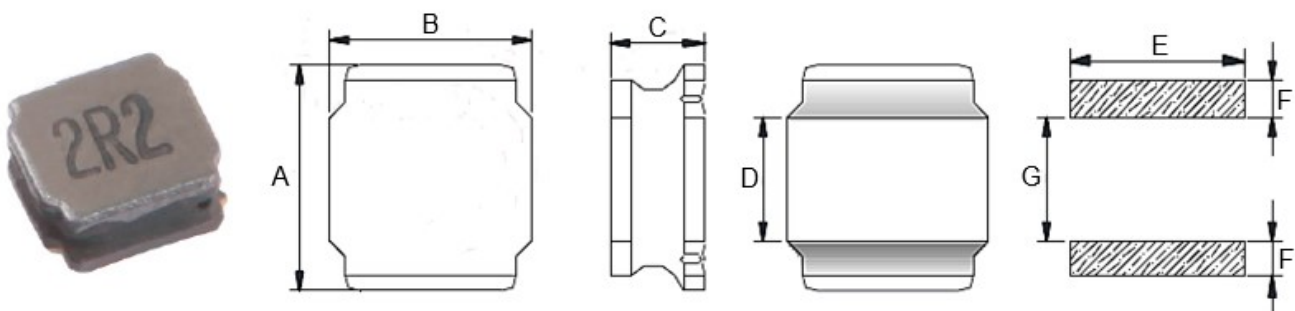
(1) : Type

(2) : Dimensions

(3) : Inductance value

(4) : Inductance Tolerance; N=±30%,M=±20%, K=±10%

■ Shapes and Dimensions (Unit: mm)



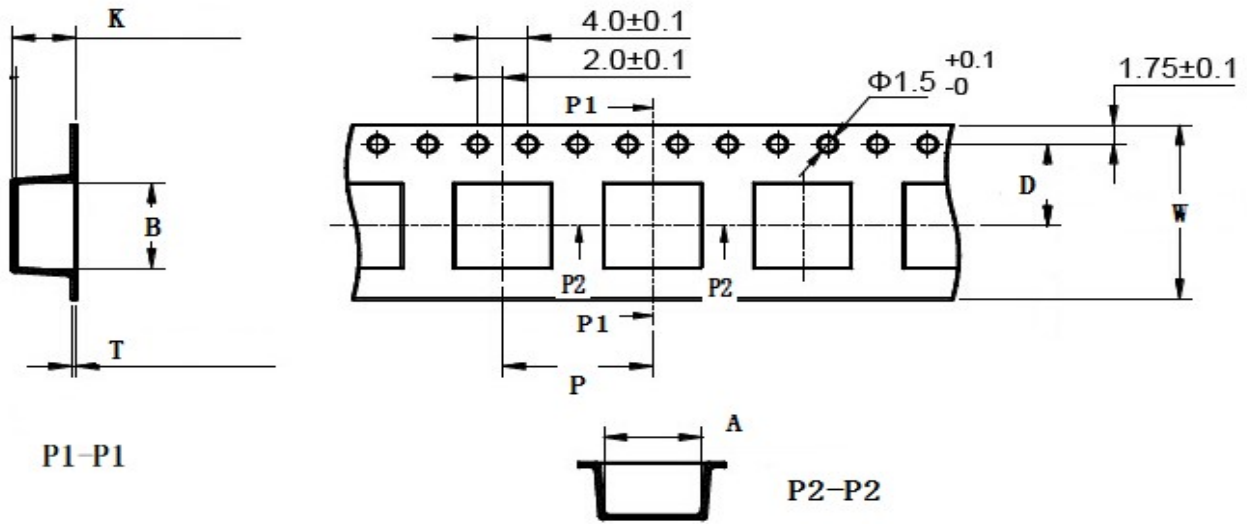
TYPE	A	B	C Max.	D	E Ref.	F Ref.	G Ref.
YNR2510	2.5±0.1	2.0±0.1	1.00	0.80±0.2	2.00	0.85	0.80

■ YNR2510 Series

Part Number	Inductance (uH) @100KHz	DC Resistance (Ω)		Heat Rating Current (A)	Saturation Current (A)
		Typ.	Max.		
YNR2510-R22□	0.22	0.030	0.036	3.00	2.70
YNR2510-R47□	0.47	0.047	0.056	2.35	2.50
YNR2510-R68□	0.68	0.062	0.074	2.00	2.20
YNR2510-1R0□	1.00	0.090	0.108	1.65	1.85
YNR2510-1R5□	1.50	0.152	0.182	1.30	1.80
YNR2510-2R2□	2.20	0.174	0.209	1.20	1.20
YNR2510-3R3□	3.30	0.273	0.328	0.90	1.05
YNR2510-4R7□	4.70	0.469	0.563	0.70	0.95
YNR2510-5R6□	5.60	0.469	0.563	0.73	0.80
YNR2510-6R8□	6.80	0.747	0.896	0.59	0.78
YNR2510-100□	10.0	0.910	1.092	0.50	0.65
YNR2510-150□	15.0	1.160	1.508	0.50	0.40
YNR2510-220□	22.0	1.250	1.625	0.45	0.40

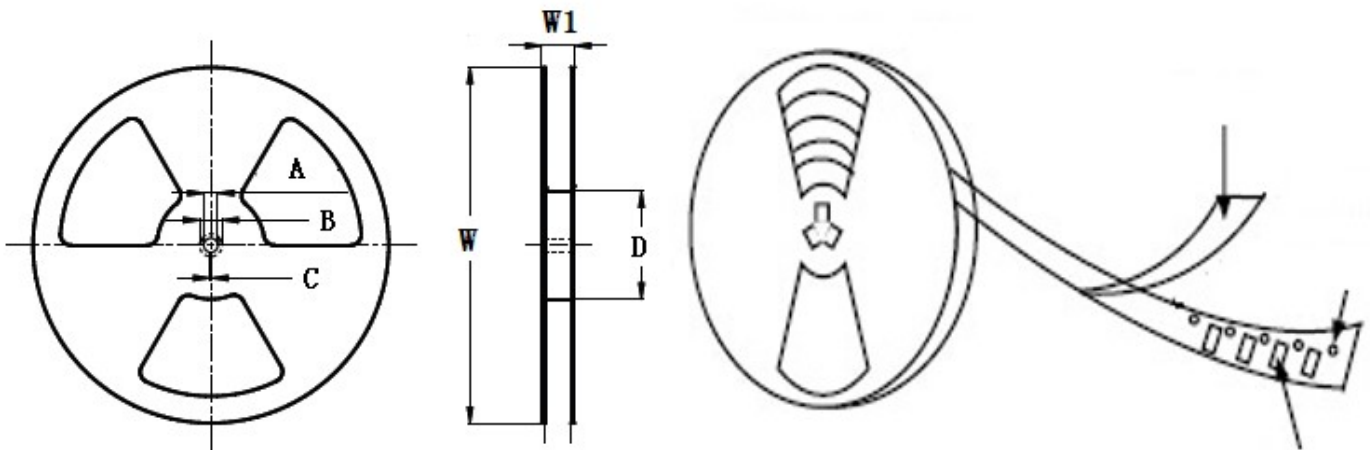
- ※ The saturation current value is the DC current value having inductance decrease down to 30%.(at 20°C)
- ※ The temperature rise current value is the DC current value having temperature increase up to 40°C. (at 20°C)
- ※ The rated current is the DC current value that satisfies both of current value saturation current value and temperature rise current value.

■ Taping Dimensions(Unit:mm)



TYPE	Chip Thickness	W	A	B	D	P	K Max	T Max	MPQ
YNR2510	1.00	8.00	2.35	2.65	3.50	4.00	1.20	0.25	2000

■ Reel Dimensions(Unit:mm)



TYPE	W	W1	A	B	C	D
YNR2510	178±2.0	8.40±1.50	4.3±0.20	5.0±0.10	3.0±0.10	58±2.0

Direction of rolling



Cover tape peel off condition



Cover tape peel force shall be 0.1N to 1.3N.

Reference peel speed 300 ± 10 mm/min.