

■ Features

- Ultra low profile.
- Magnetic shielded for low radiation.
- Bobbin ferrite core and compact size.
- Low core loss for high frequency power application.
- Large terminal surface for good PCB bonding.
- Operating temperature:-40°C ~ +125°C.

■ Applications

- Portable communication equipment.
- Notebook PC,digital camera,LCD television set.
- Power supply for VTR,OA equipment.
- DC/DC converters.

■ Product Identification

$\frac{\text{YDRH}}{(1)}$ $\frac{\square\square\square\square}{(2)}$ - $\frac{\square\square\square}{(3)}$ $\frac{\square}{(4)}$

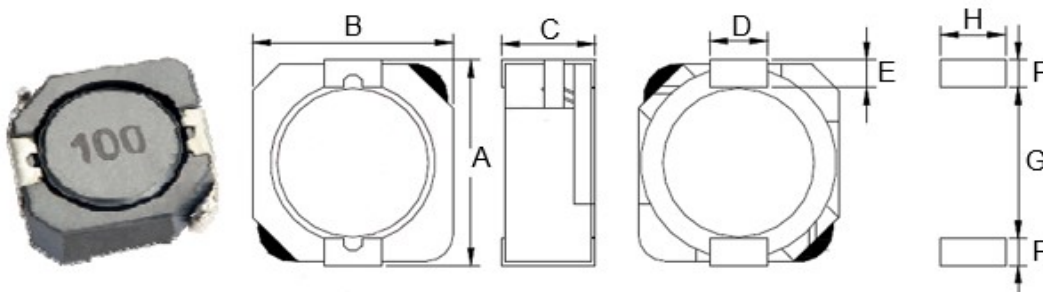
(1) : Type

(2) : Dimensions

(3) : Inductance value

(4) : Inductance Tolerance; N=±30%,M=±20%, K=±10%

■ Shapes and Dimensions (Unit: mm)



TYPE	A	B	C Max	D	E	F Ref.	G Ref.	H Ref.
YDRH105R	10.1±0.3	10.1±0.3	5.0	3.0	1.2	1.6	7.3	3.2

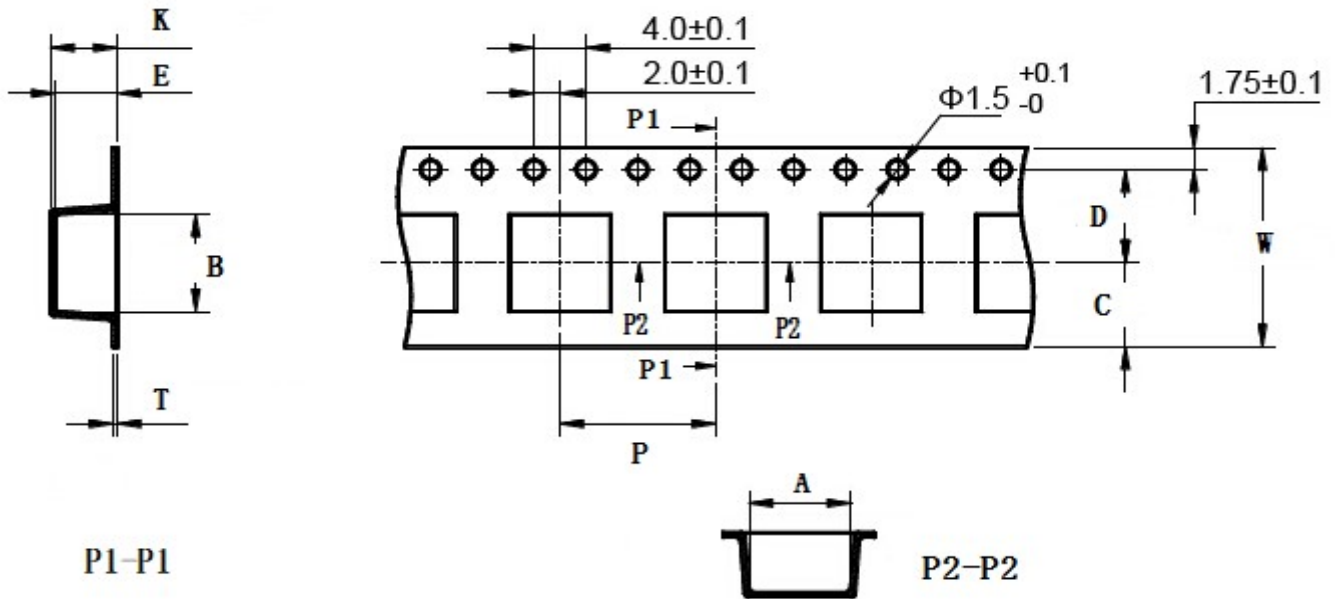
■ YDRH105R Series

Part Number	Inductance (μ H)	Test Freq. (KHz)	DCR MAX. (Ω)	Saturation Current (A)	Heat Rating Current (A)
YDRH105R-R80□	0.80	100	0.005	9.50	13.50
YDRH105R-1R5□	1.50	100	0.006	8.30	10.50
YDRH105R-2R2□	2.20	100	0.008	7.50	9.25
YDRH105R-3R3□	3.30	100	0.011	6.50	7.80
YDRH105R-4R7□	4.70	100	0.013	6.10	6.40
YDRH105R-6R8□	6.80	100	0.018	5.40	5.40
YDRH105R-8R2□	8.20	100	0.020	5.00	4.85
YDRH105R-100□	10.0	100	0.026	4.50	4.45
YDRH105R-120□	12.0	100	0.033	3.80	4.00
YDRH105R-150□	15.0	100	0.041	3.40	3.60
YDRH105R-180□	18.0	100	0.046	3.10	3.20
YDRH105R-220□	22.0	100	0.061	2.90	2.95
YDRH105R-270□	27.0	100	0.069	2.60	2.70
YDRH105R-330□	33.0	100	0.084	2.50	2.40
YDRH105R-390□	39.0	100	0.106	2.25	2.30
YDRH105R-470□	47.0	100	0.130	2.00	2.00
YDRH105R-560□	56.0	100	0.149	1.90	1.90
YDRH105R-680□	68.0	100	0.201	1.60	1.65
YDRH105R-820□	82.0	100	0.227	1.45	1.50
YDRH105R-101□	100	100	0.253	1.35	1.35
YDRH105R-121□	120	100	0.303	1.18	1.28
YDRH105R-151□	150	100	0.370	1.10	1.12
YDRH105R-181□	180	100	0.419	1.00	1.04
YDRH105R-221□	220	100	0.500	0.94	0.94
YDRH105R-271□	270	100	0.672	0.80	0.84

Part Number	Inductance (μ H)	Test Freq. (KHz)	DCR MAX. (Ω)	Saturation Current (A)	Heat Rating Current (A)
YDRH105R-331□	330	100	0.812	0.73	0.75
YDRH105R-391□	390	100	0.953	0.70	0.70
YDRH105R-471□	470	100	1.289	0.54	0.60
YDRH105R-561□	560	100	1.430	0.52	0.54
YDRH105R-681□	680	100	1.599	0.51	0.52
YDRH105R-821□	820	100	1.768	0.48	0.50
YDRH105R-102□	1000	100	1.989	0.42	0.48

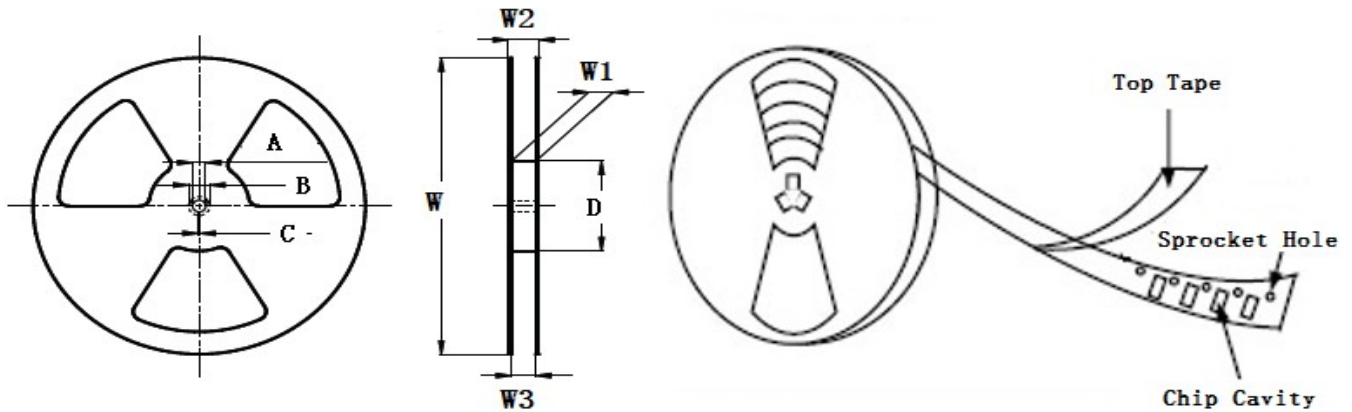
- ※ The saturation current value is the DC current value having inductance decrease down to 30%. (at 20°C)
- ※ The temperature rise current value is the DC current value having temperature increase up to 40°C. (at 20°C)
- ※ The rated current is the DC current value that satisfies both of current value saturation current value and temperature rise current value.

■ Taping Dimensions(Unit:mm)



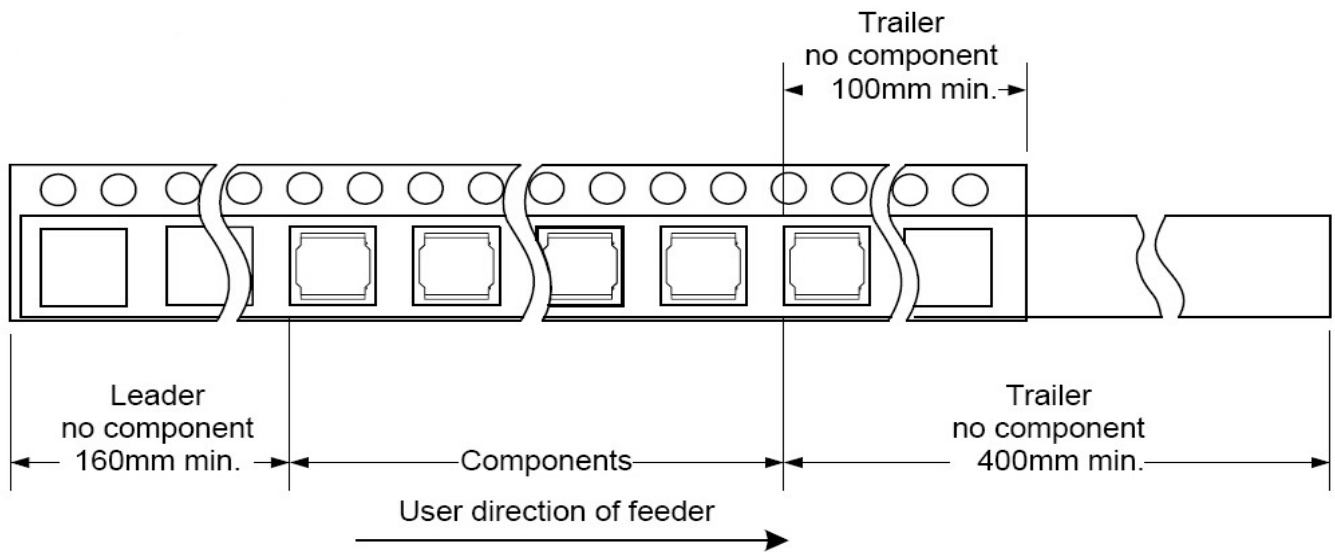
TYPE	W	A	B	C	D	E	P	K Ref	T	MPQ
YDRH105R	24±0.3	10.8±0.1	10.8±0.1	10.75	11.5±0.1	4.75±0.1	16±0.1	4.95	0.35±0.05	800

■ Reel Dimensions(Unit:mm)

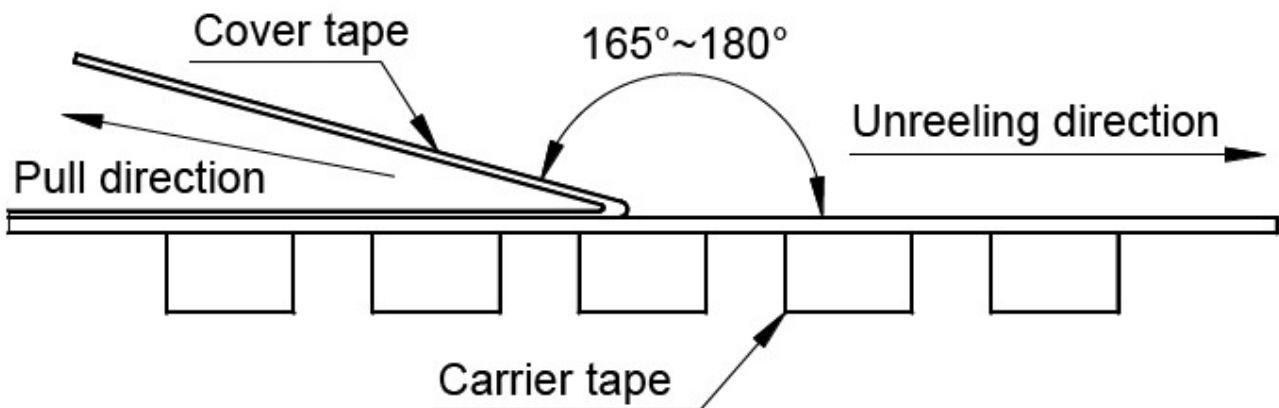


TYPE	W	W1	W2	W3	A	B	C	D
YDRH105R	330±2.0	24.4±1.50	30.4MAX	23.9 Min	13.0±0.50	21.0±0.80	2.0±0.50	100 Min

Direction of rolling



Cover tape peel off condition



Cover tape peel force shall be 0.1N to 1.3N.

Reference peel speed 300±10mm/min.