

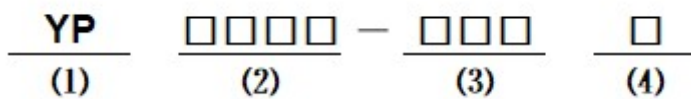
**■ Features**

- High current Type.
- Ferrite bobbin core and compact size.
- Low core loss for high frequency power application.
- Large terminal surface for good PCB bonding.
- Operating temperature:-40°C ~ +125°C.

**■ Applications**

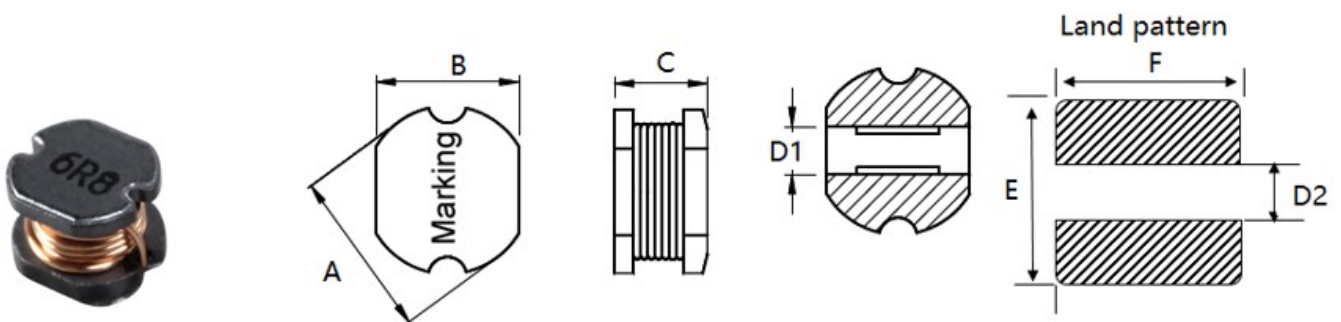
- Portable communication equipment.
- Notebook PC,digital camera,LCD television set.
- Power supply for VTR,OA equipment.
- DC/DC converters.

**■ Product Identification**



- (1) : Type
- (2) : Dimensions
- (3) : Inductance value
- (4): Inductance Tolerance: N=±30%,M=±20%, L=±15%, K=±10%

**■ Shapes and Dimensions (Unit: mm)**



TYPE	A	B	C	D1 Ref.	D2 Ref.	E Ref.	F Ref.
YP0302	3.5±0.3	3.0±0.3	2.1±0.3	1.0	1.0	3.6	3.2

## ■ YP0302 Series

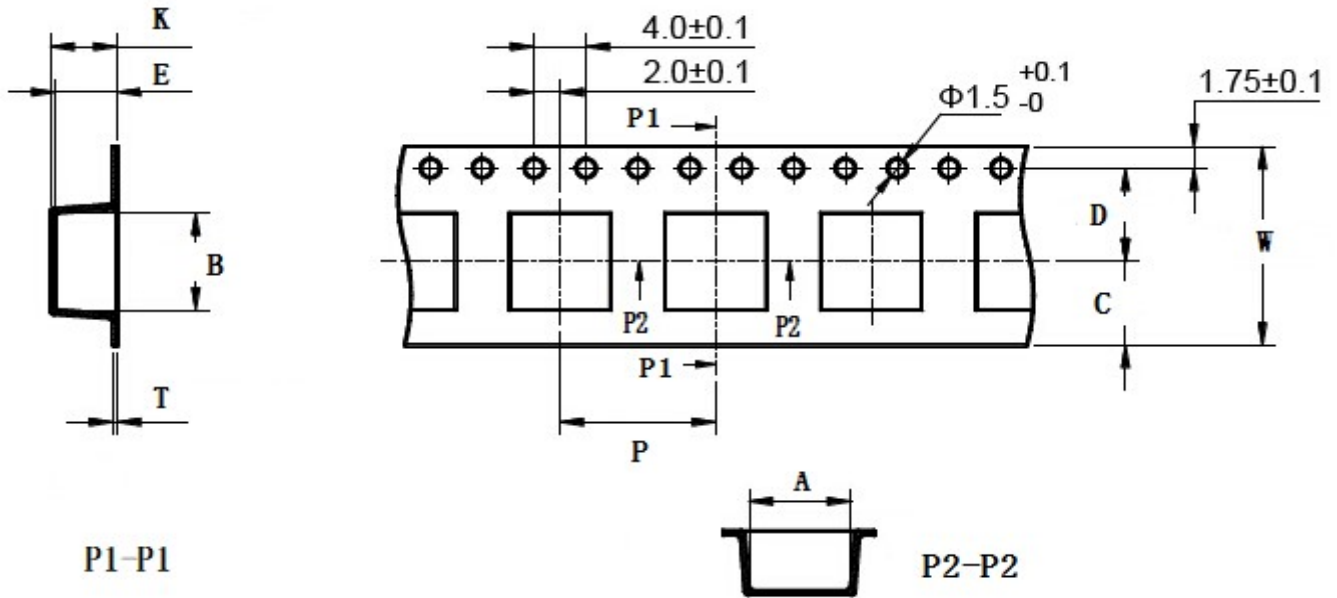
Part Number	Inductance (uH)	L Test Frequency (KHz)	Max.DC Resistance (Ω)	Max.Rated Current (A)
YP0302-R82□	0.82	100	0.049	2.80
YP0302-1R0□	1.00	100	0.055	2.56
YP0302-1R5□	1.50	100	0.070	2.00
YP0302-2R2□	2.20	100	0.080	1.80
YP0302-2R7□	2.70	100	0.110	1.70
YP0302-3R3□	3.30	100	0.131	1.60
YP0302-4R7□	4.70	100	0.170	1.50
YP0302-5R6□	5.60	100	0.185	1.20
YP0302-6R8□	6.80	100	0.188	1.10
YP0302-8R2□	8.20	100	0.220	1.00
YP0302-100□	10.0	100	0.342	1.00
YP0302-120□	12.0	100	0.350	0.95
YP0302-150□	15.0	100	0.460	0.90
YP0302-180□	18.0	100	0.520	0.80
YP0302-220□	22.0	100	0.685	0.75
YP0302-270□	27.0	100	0.912	0.70
YP0302-330□	33.0	100	0.951	0.60
YP0302-390□	39.0	100	1.000	0.48
YP0302-470□	47.0	100	1.582	0.45
YP0302-560□	56.0	100	1.500	0.30
YP0302-680□	68.0	100	2.033	0.27
YP0302-820□	82.0	100	2.319	0.23
YP0302-101□	100	100	2.558	0.22

## ■ YP0302 Series

Part Number	Inductance (uH)	L Test Frequency (KHz)	Max.DC Resistance (Ω)	Max.Rated Current (A)
YP0302-121□	120	100	2.900	0.18
YP0302-151□	150	100	3.400	0.17
YP0302-181□	180	100	3.900	0.16
YP0302-221□	220	100	4.500	0.15
YP0302-271□	270	100	6.000	0.13
YP0302-331□	330	100	7.000	0.12
YP0302-391□	390	100	7.800	0.11

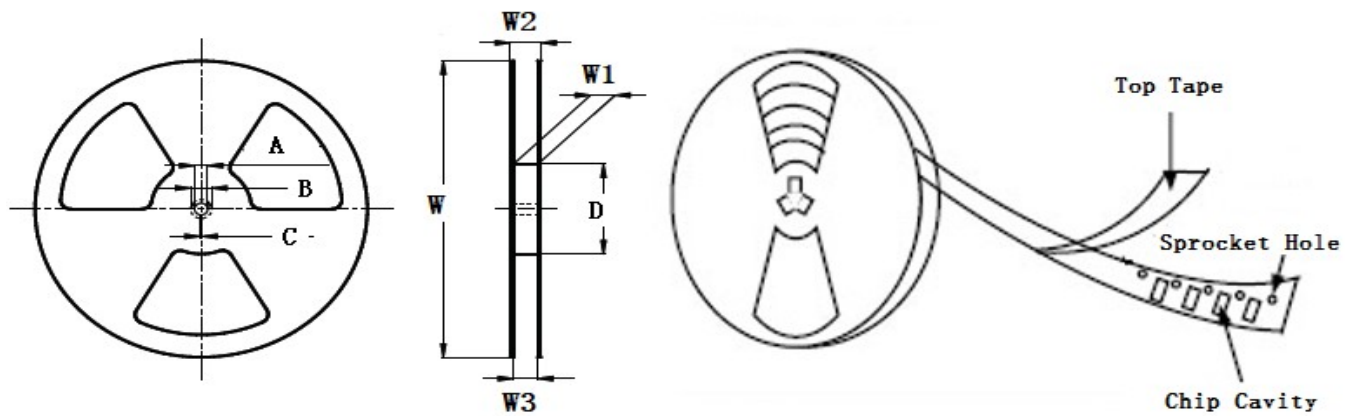
- ※ The saturation current value is the DC current value having inductance decrease down to 30%.(at 20°C)
- ※ The temperature rise current value is the DC current value having temperature increase up to 40°C. (at 20°C)
- ※ The rated current is the DC current value that satisfies both of current value saturation current value and temperature rise current value.

**■ Taping Dimensions(Unit:mm)**



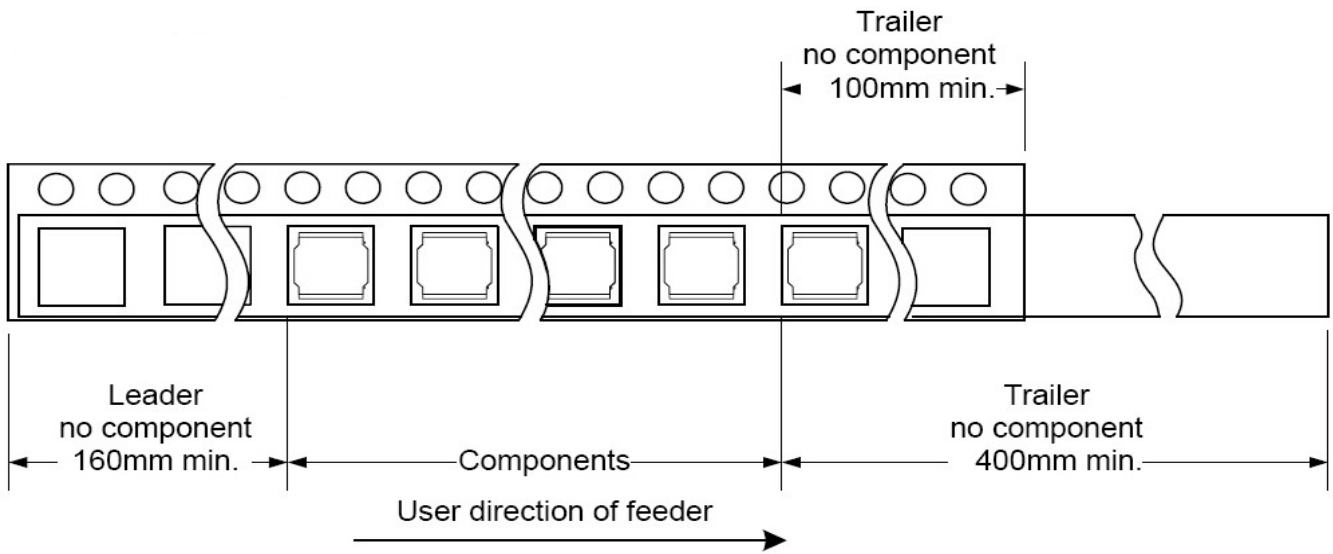
TYPE	W	A	B	C	D	E	P	K Ref	T	MPQ
YP0302	12±0.3	3.25±0.1	3.80±0.1	4.75	5.5±0.1	2.30±0.1	8.0±0.1	2.5	0.30±0.05	3000

**■ Reel Dimensions(Unit:mm)**

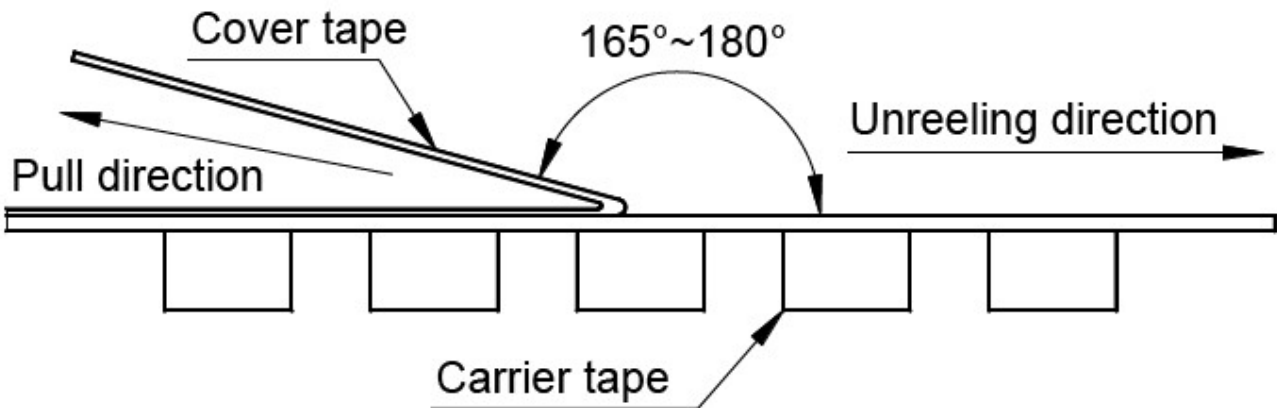


TYPE	W	W1	W2	W3	A	B	C	D
YP0302	330±2.0	12.8±1.50	18.4MAX	11.9Min	13.0±0.50	21.0±0.80	2.0±0.50	100 Min

**Direction of rolling**



**Cover tape peel off condition**



Cover tape peel force shall be 0.1N to 1.3N.

Reference peel speed 300±10mm/min.