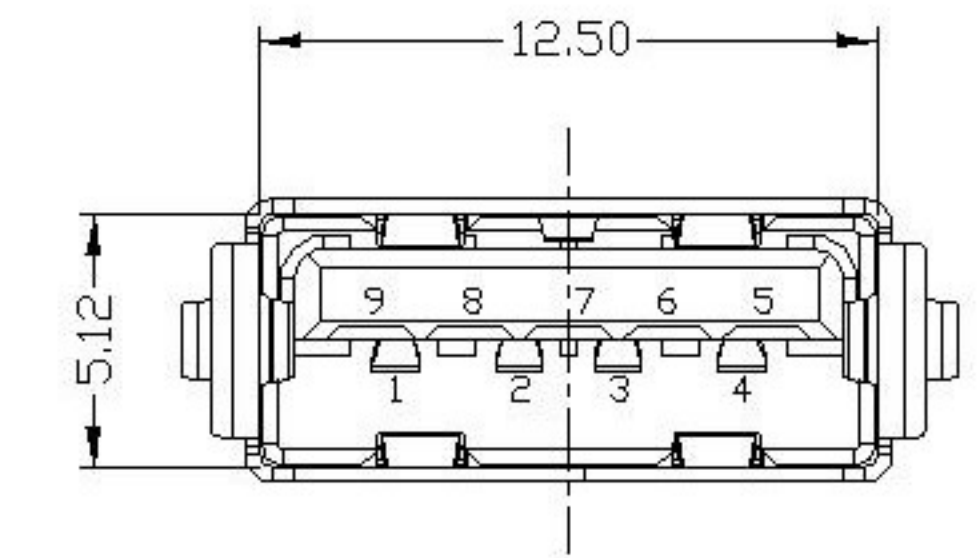
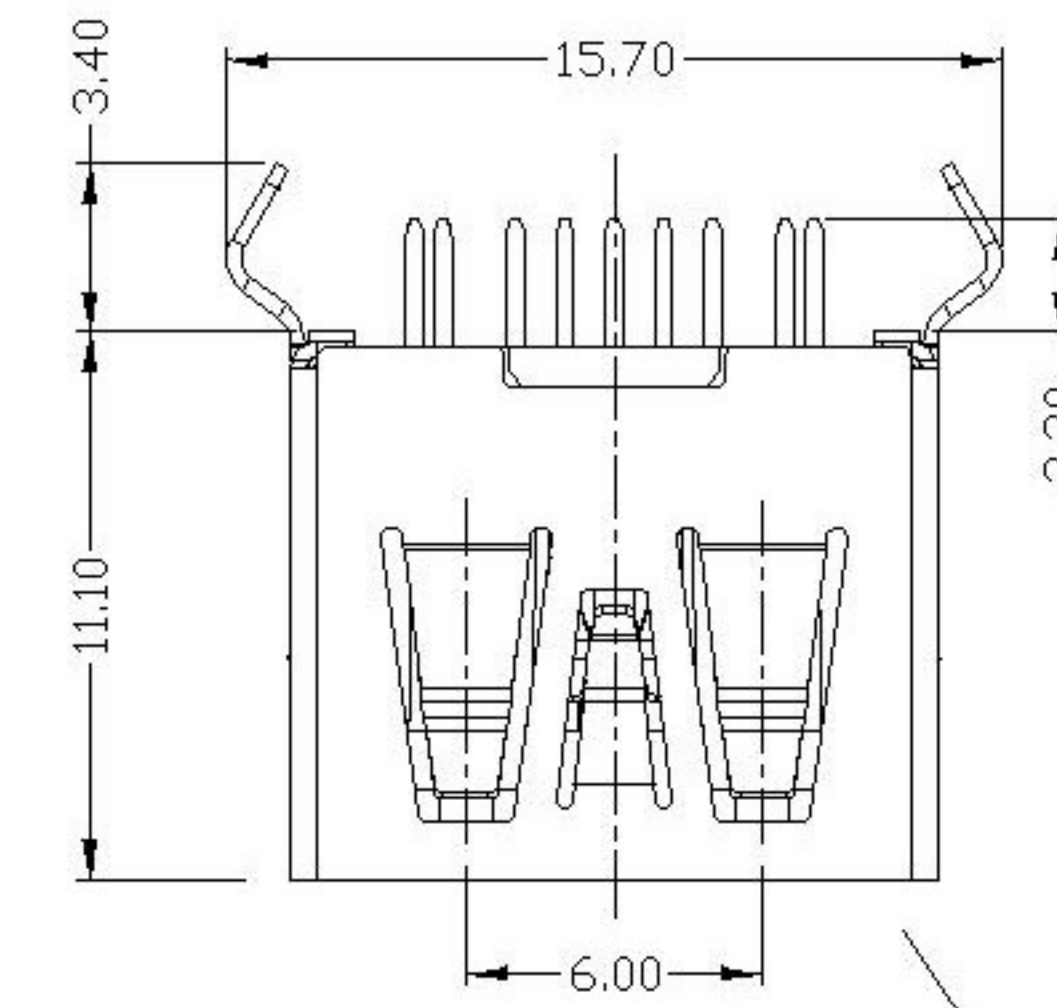
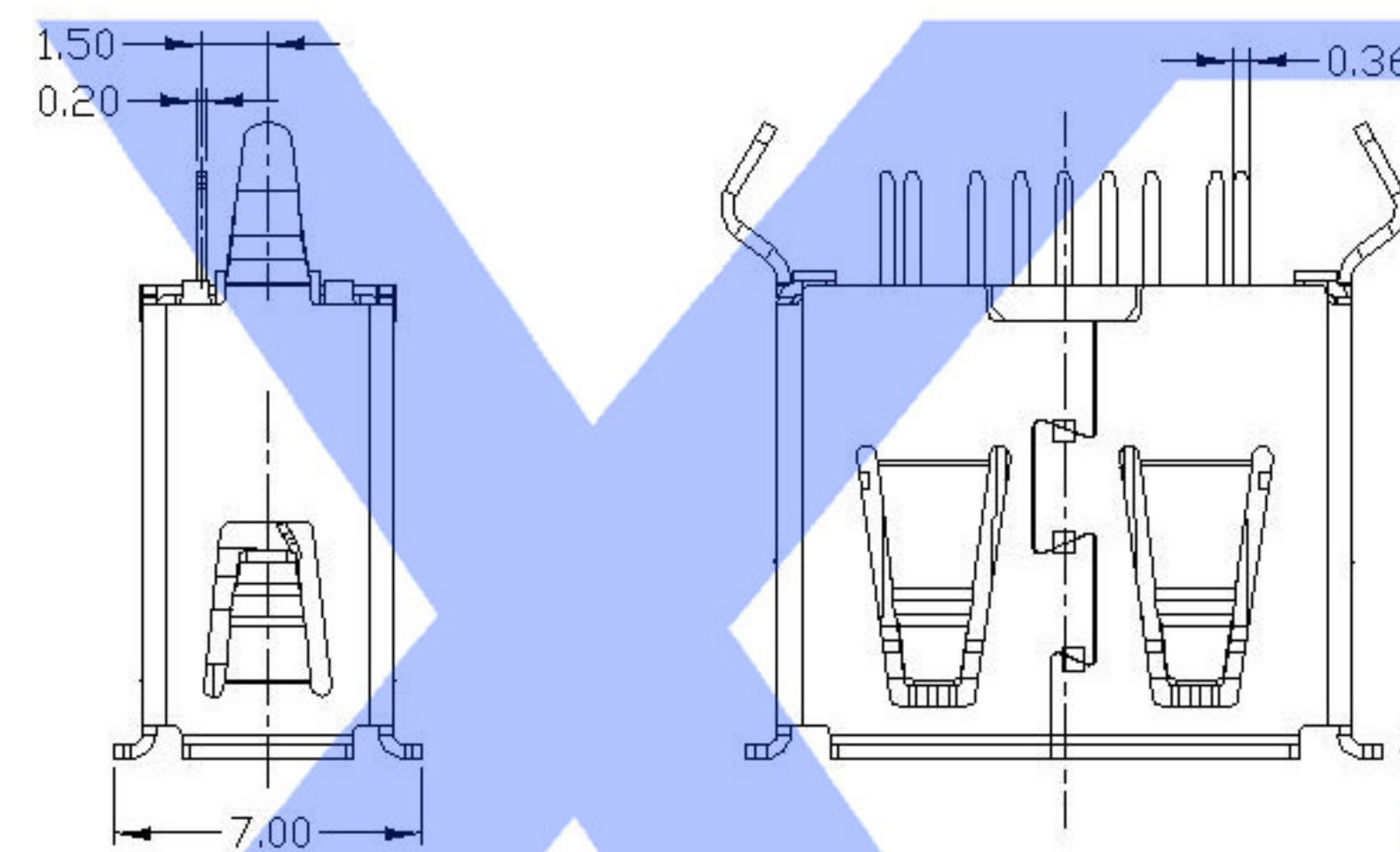
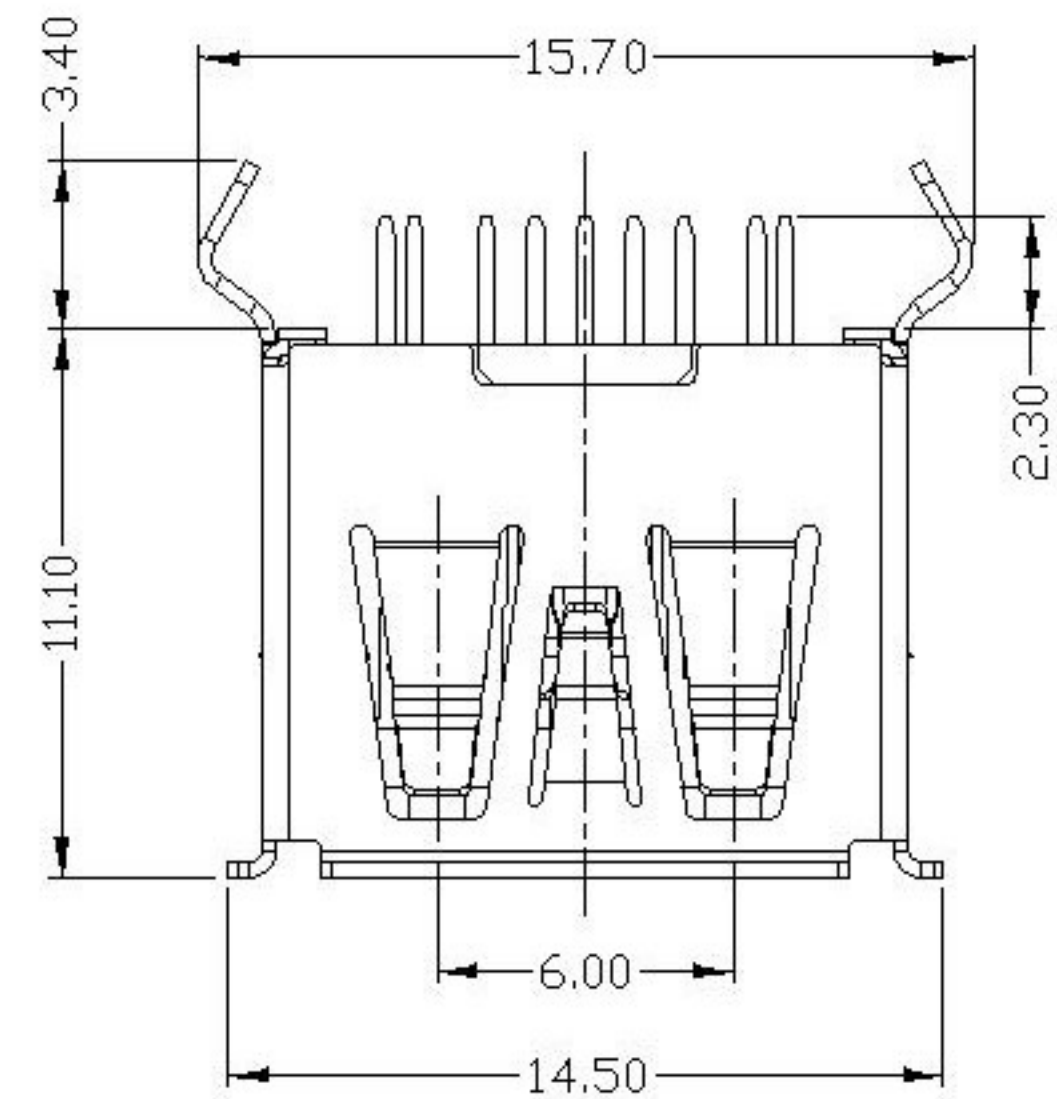


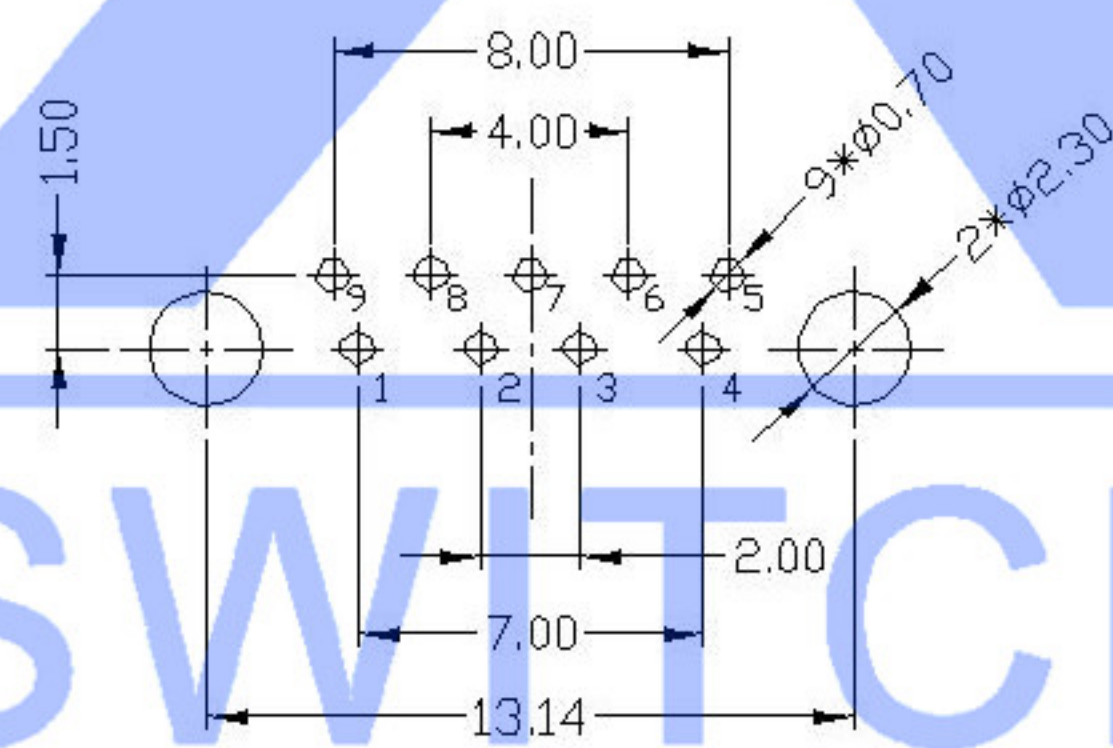
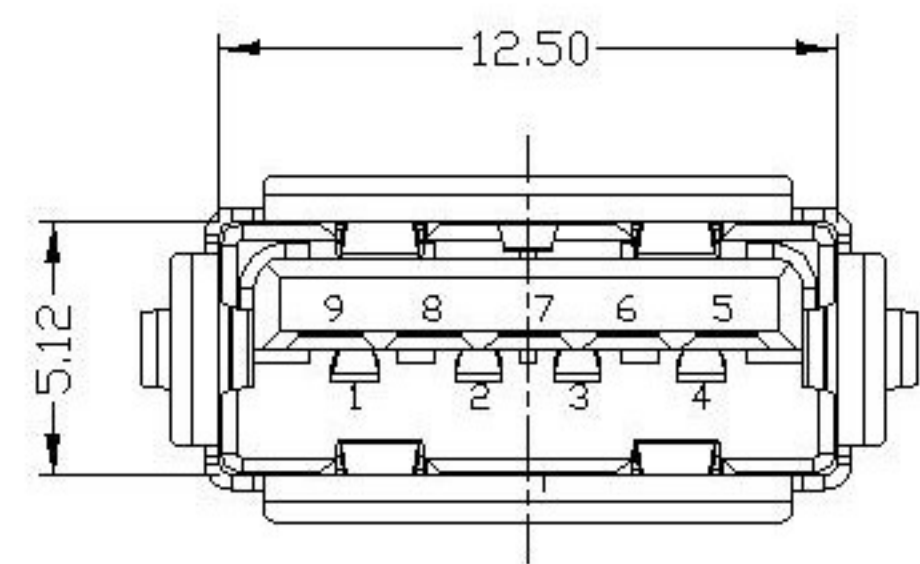
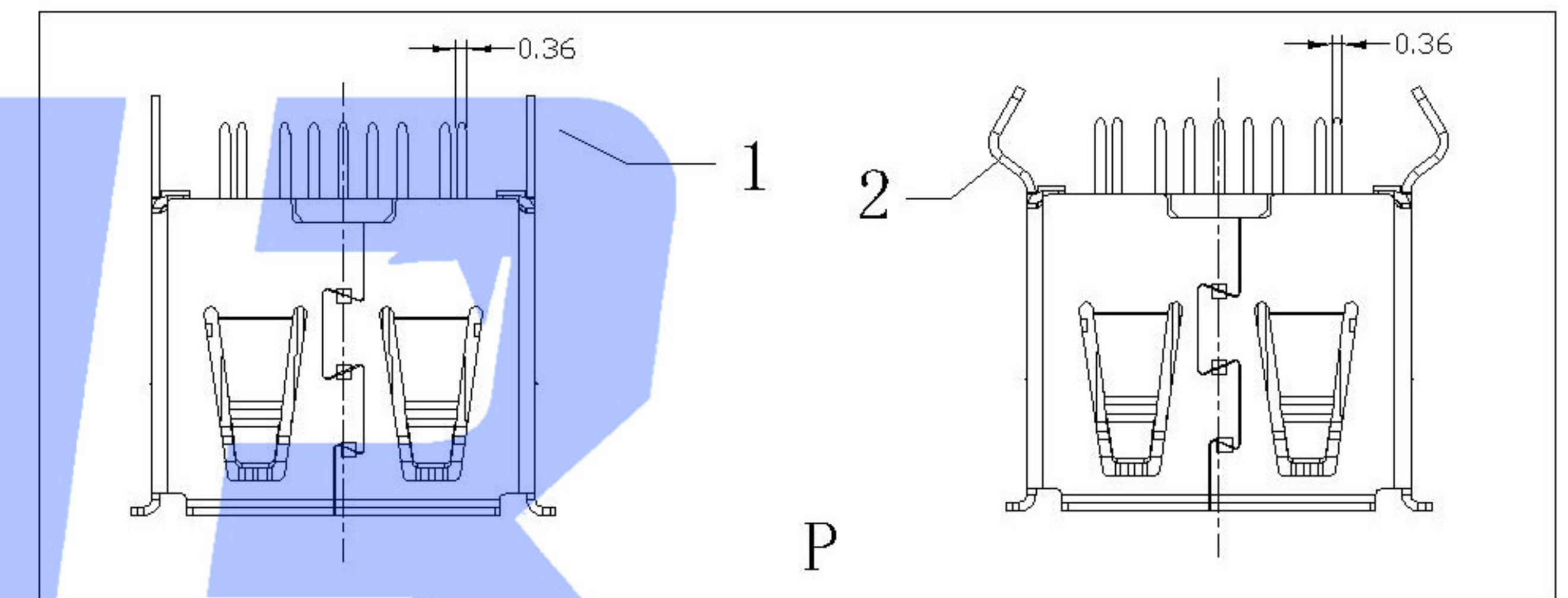
| Pin # | SIGNAL NAME | DESCRIPTION                              | MATING SEQUENCE |
|-------|-------------|--|-----------------|
| 1     | VBUS        | POWER                                    | SECOND          |
| 2     | D-          | USB 2.0 DIFFERENTIAL PAIR                | THIRD           |
| 3     | D+          |  |                 |
| 4     | GND         | GROUND FOR POWER RETURN                  | SECOND          |
| 5     | S.+A_SS RX- | SUPERSPEED RECEIVER DIFFERENTIAL PAIR    | LAST            |
| 6     | S.-A_SS RX+ |  |                 |
| 7     | GND_DRAIN   | GROUND FOR SIGNAL RETURN                 |                 |
| 8     | S.+A_SS TX- | SUPERSPEED TRANSMITTER DIFFERENTIAL PAIR |                 |
| 9     | S.-A_SS TX+ |  |                 |
| Shell | Shield      | CONNECTOR METAL SHELL                    | FIRST           |



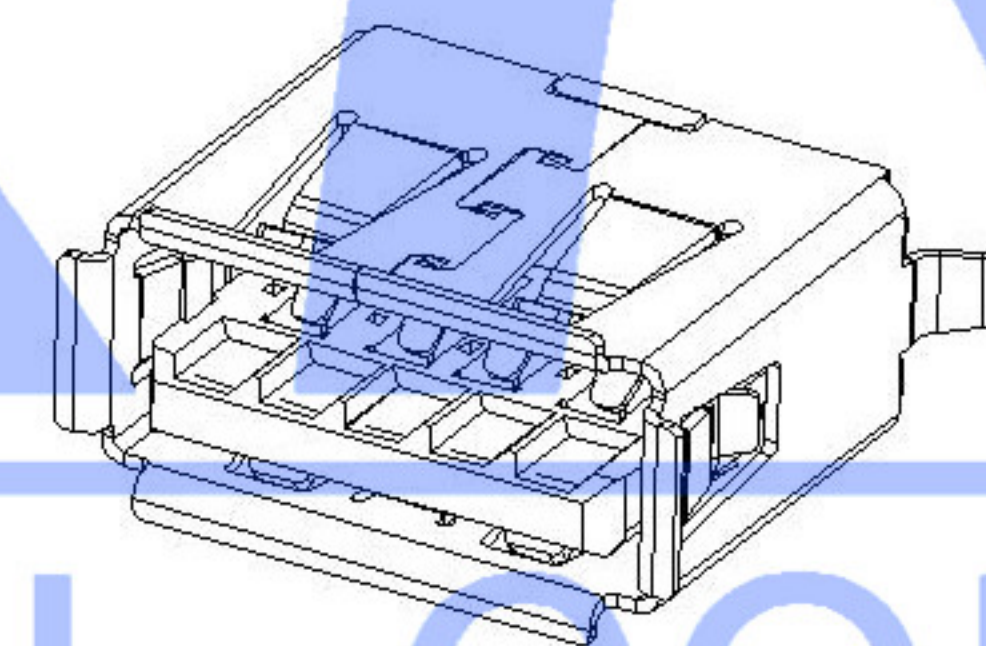
Flat (F)



Scrolls (S)



RECOMMENDED PCB LAYOUT



Material  
Housing Material: PA9T, UL94V-0, blue  
Contact Terminal: Brass  
Metallic Shell: Spcc  
Plating  
Underplating: Nickel  
Contact Plating: 1μ" Gold  
Solder Tail: 100μ" Min. Tin  
Metallic Shell: Nickel  
Electrical  
Voltage Rating: 100 V AC  
Current Rating: 0.25A (Signal pins 2,3,5,6,7,8,9) 1.8A (Power Pins 1,4)  
Contact Resistance: 30mΩ Max.  
Insulation resistance: 1000MΩ Min.  
Dielectric withstanding voltage: 100V AC/Minute  
Mechanical  
Durability: 1500 cycles  
Mating Force: 35N (3.57Kgf) Max  
Unmating Force: 10N (1.02Kgf) Min. initial, 8N min after test  
Environmental and Processing  
Operating Temperature: -40°C to +85°C

U233-09XN-3BLPC11-X-1-X  
1: Au 1U"  
5: Au 15U"  
6: Au 30U"  
T: TIN  
N: NICKEL  
P: 1 P: 2  
1: SPCC  
S: Scrolls F: Flat  
B: BLACK W: WHITE BL: BLUE  
1: PBT  
2: PA6T  
3: PA9T  
4: LCP

| MARK  | DESCRIPTION | DATE | REVISED | APPROVED | UNSPECIFIED TOLERANCES | DSND                                  | DATE | SCALE: N/A | MODEL TYPE: USB 3.0     |
|---|-------------|------|---------|----------|------------------------|---------------------------------------|------|------------|-------------------------|
| ΔX  |             |      |         |          | ANGLAR ±5°             | DWN                                   | DATE | VIEW:      | PART NO.:               |
| ΔX  |             |      |         |          | L ≤ 4 ±0.2             | CHKD                                  | DATE | UNIT: mm   | DWG NO.:                |
| ΔX  |             |      |         |          | 4 < L ≤ 16 ±0.3        | APPD                                  | DATE | SIZE: A4   | U233-09XN-3BLPC11-X-1-X |
|   |             |      |         |          | 16 < L ≤ 63 ±0.4       |                                       |      |            | WEIGHT SHEET REVISION   |
|   |             |      |         |          | L > 63 ±0.5            |                                       |      |            | 1.0g 1/1 A0             |
| REVISIONS                                     |             |      |         |          |                        | XKB INDUSTRIAL PRECISION CO., LIMITED |      |            |                         |
| www.xk-dg.cn www.helloxkb.com www.helloxkb.cn |             |      |         |          |                        |                                       |      |            |                         |