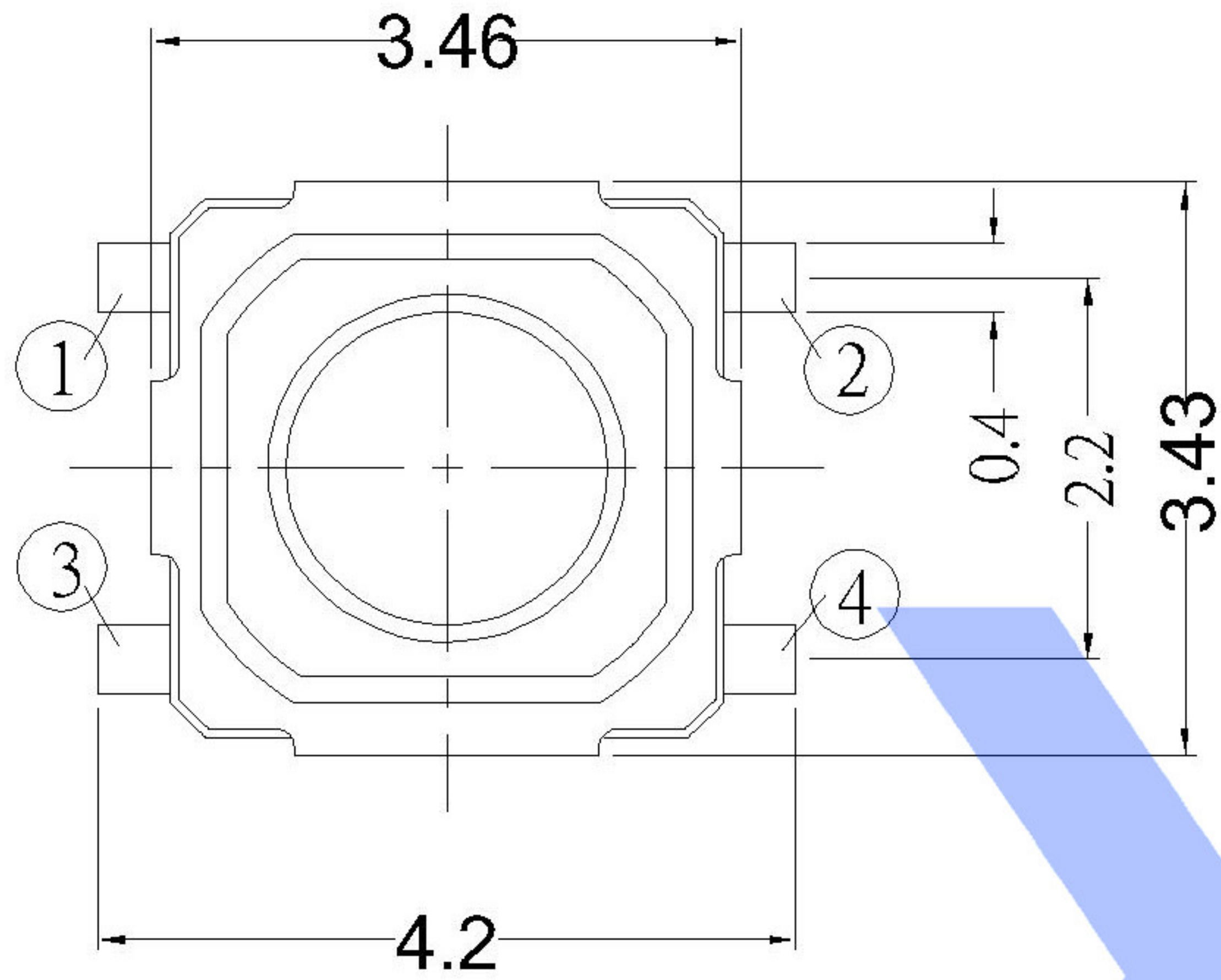
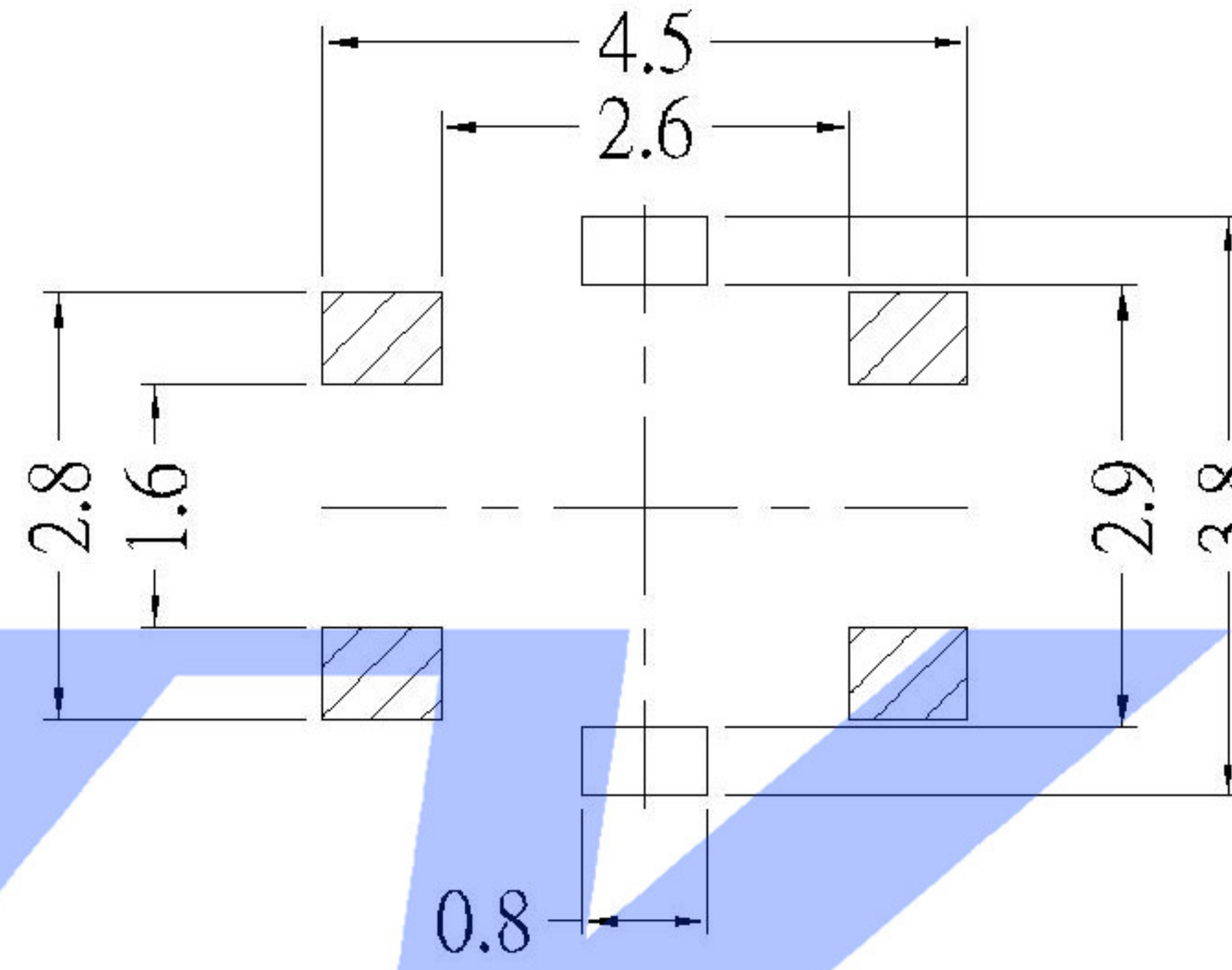


DIMENSIONS



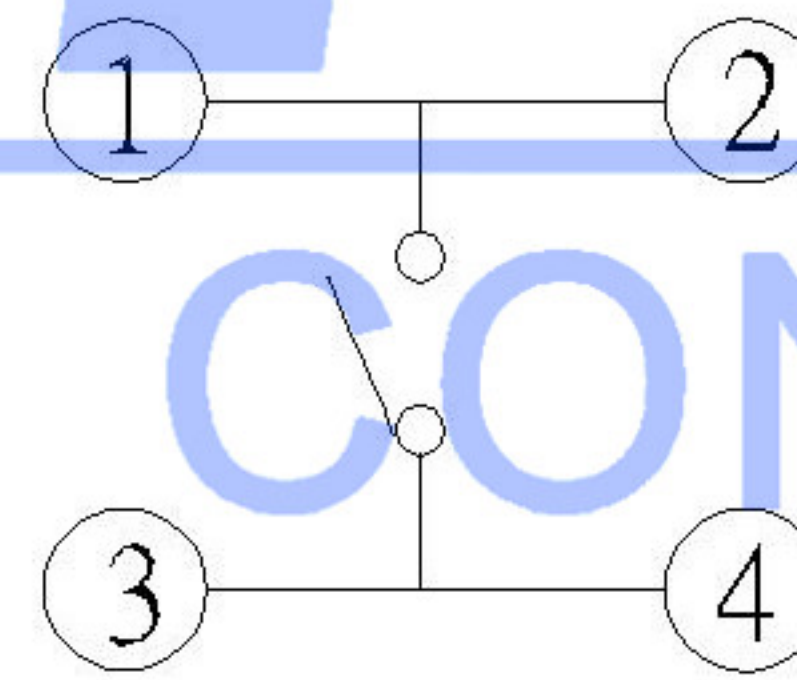
P.C.B LAYOUT MOUNTING PATTERN



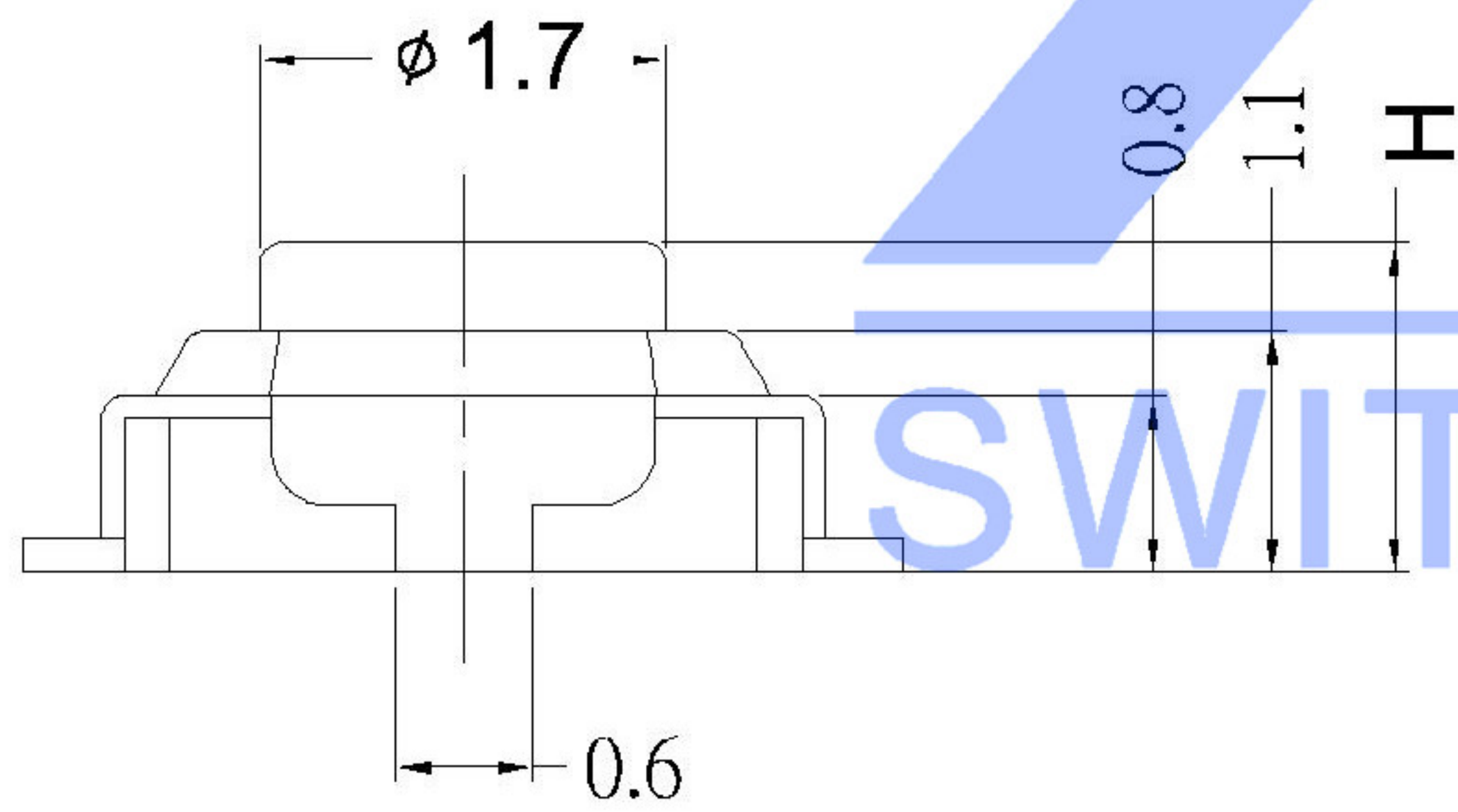
SPECIFICATION

Contact Rating:	50mA, 12V DC
Contact Resistance:	100mΩ max
Insulation Resistance:	100mΩ min. 500V DC
Dielectric Strength:	250V AC/1minute
Travel:	0.20mm
Operating Temp:	-30°C ~ +85°C
Storage Temp:	-30°C ~ +80°C

CIRCUIT DIAGRAM



PAPT NO	TS-1177-X-X-X
Operating Force	B: 160gf C: 260gf
Height	H: A: 1.5 B: 2.0
color	B: black W: white



SWITCH CONNECTOR

ITEM	PAPT NAMF	TER,NO	QTY	MATERIAL	FINISHING	REMARK
⑤	Terminal	—	4	Brass (0.30t)	Plating silvering	—
④	Contact	—	1	F.ag/Sus	Natural	—
③	Base	—	1	Pa46		—
②	Cover	—	1	Spcc	Plating Nickel	—
①	Keystake	—	1	Pa46		—

MARK	DESCRIPTION	DATE	REVISED	APPROVED	units: mm	DSND	DATE	SCALE: N/A	MODEL TYPE:		
Δx					tolerance:	DWN	DATE	VIEW:	TACT SWITCH		
Δx					X.X ±0.2mm	CHKD	DATE	UNIT: mm	PART NO.:		
Δx					X.XX ±0.1mm	APPD	DATE	SIZE: A4	DWG NO.:		
					X.XXX ±0.05mm				TS-1177-X-X-X		
REVISIONS						XKB INDUSTRIAL PRECISION CO., LIMITED			WEIGHT	SHEET	REVISION
UNSPECIFIED TOLERANCES									1.0g	1/1	A0
www.xk-dg.cn www.helloxkb.com www.helloxkb.cn											