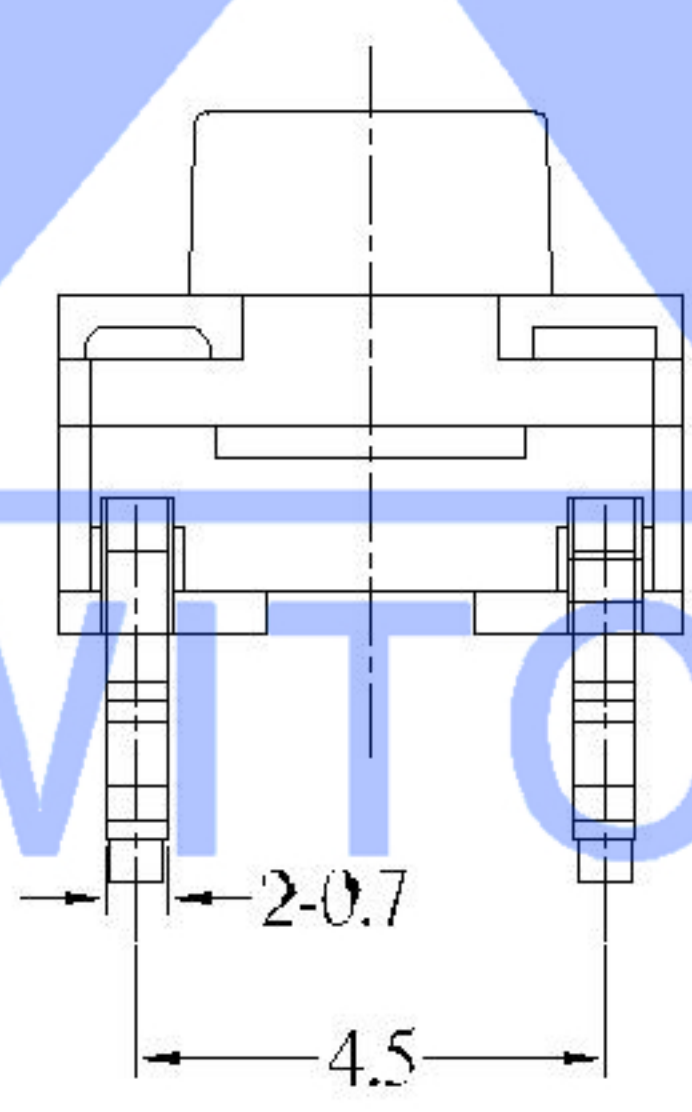
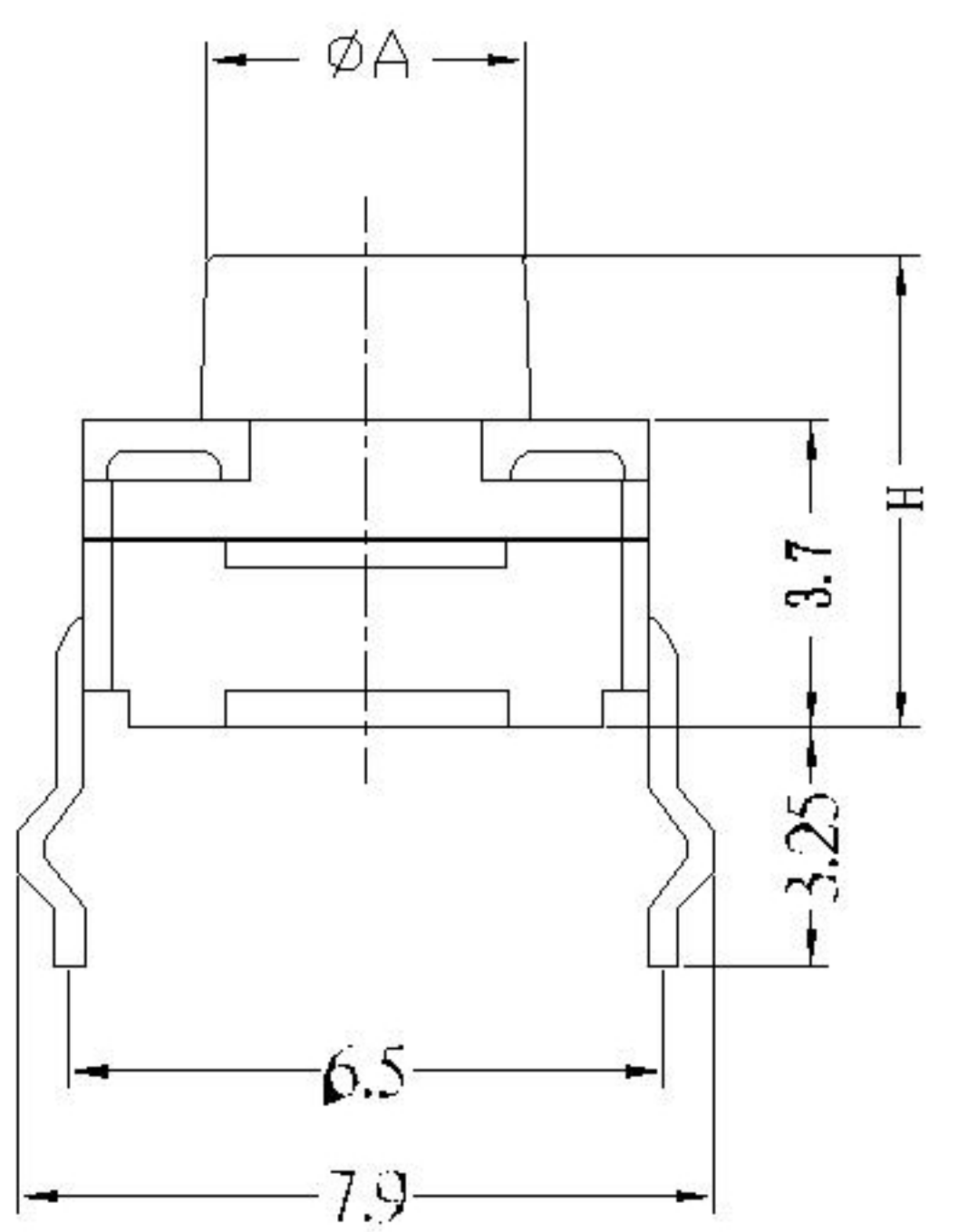
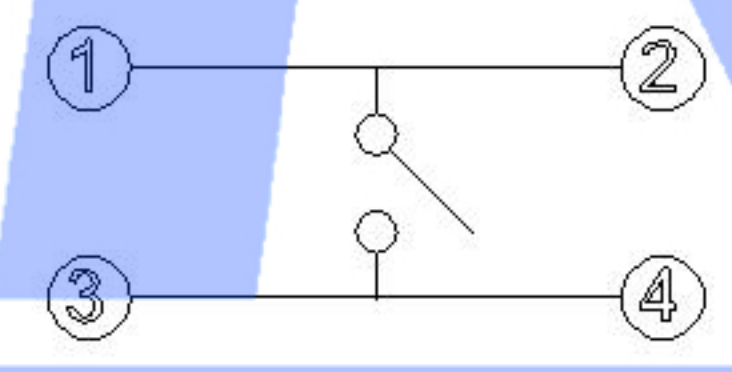


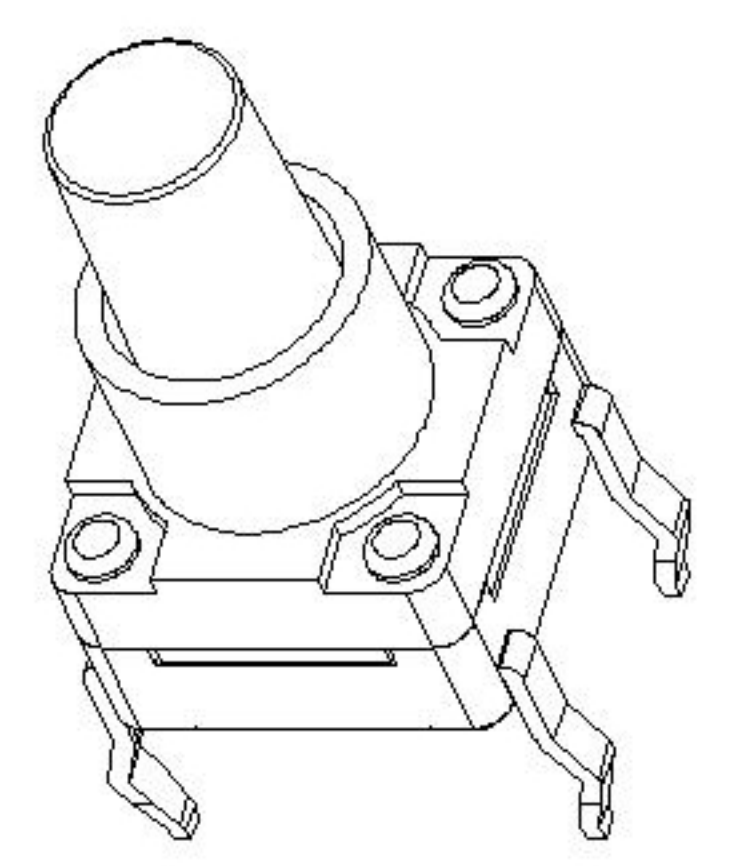
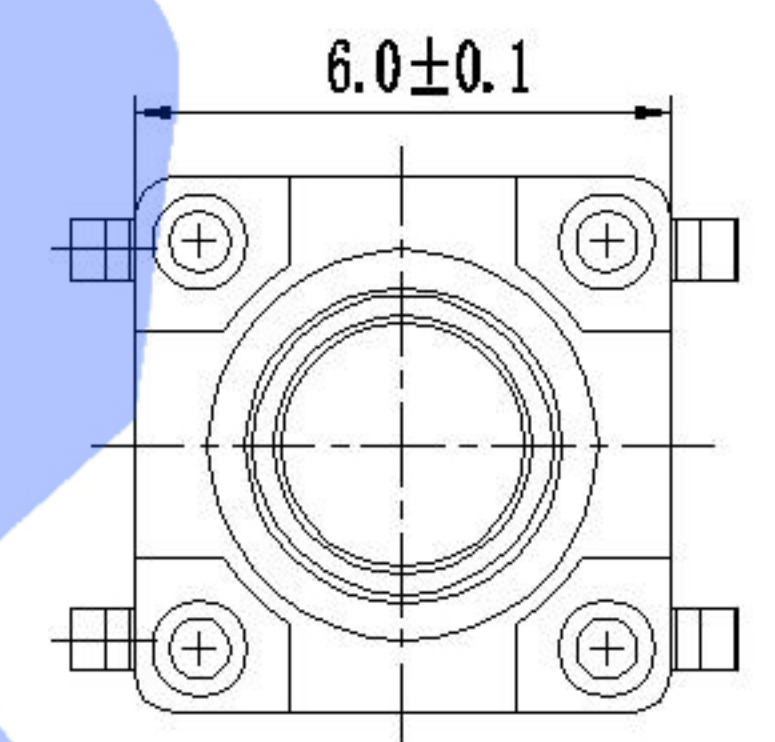
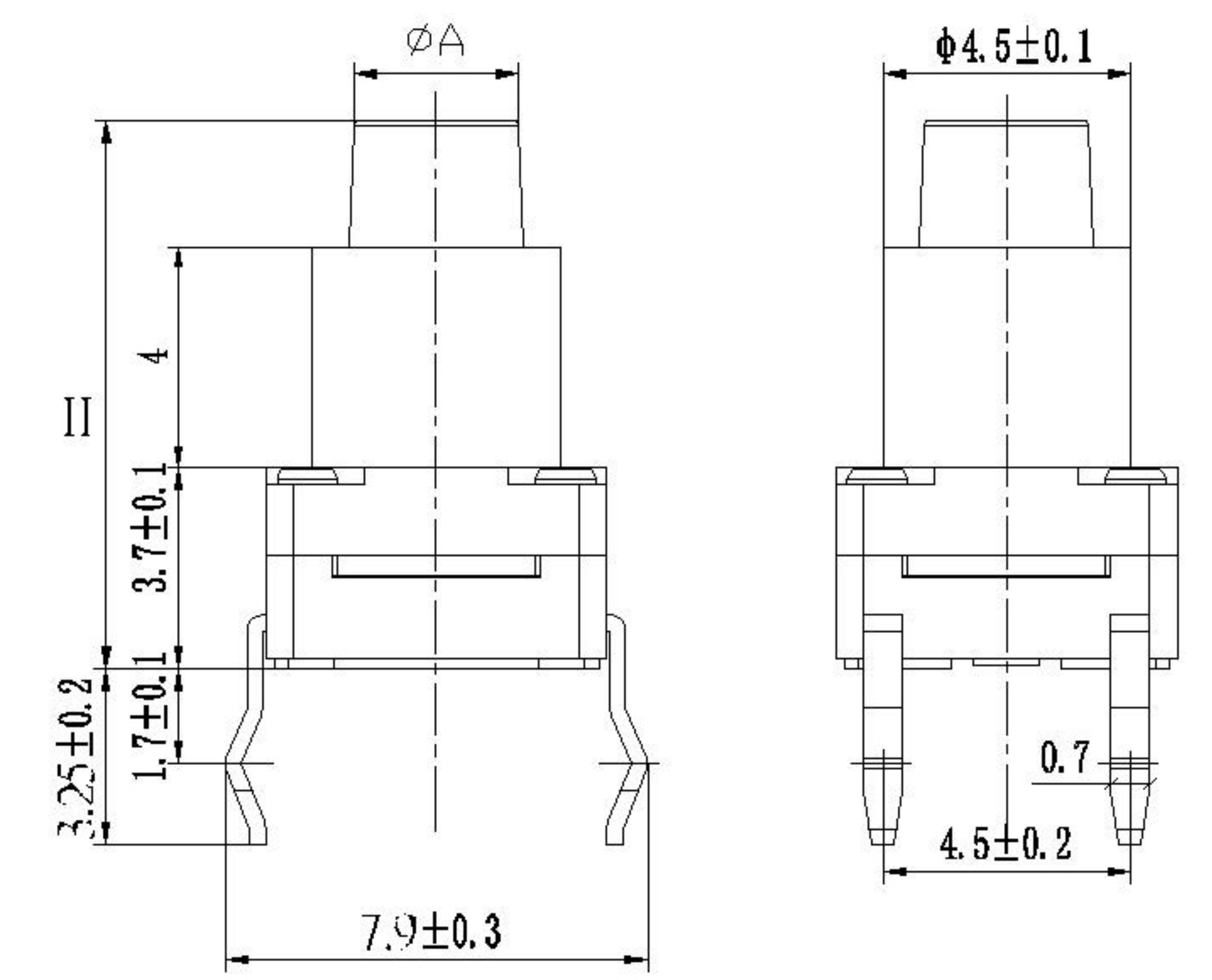
PC.B LAYOUT MOUNTING PATTERN



Code-X	H	Code-X	H
A	4.3	O	11.0
B	4.5	P	11.5
C	5.0	Q	12
D	5.5	R	12.5
E	6.0	S	13.0
F	6.5	T	13.5
G	7.0	U	14.0
H	7.5	V	15.0
I	8.0	W	15.5
J	8.5	X	16
K	9.0	Y	16.5
L	9.5	Z	17
M	10.0	18	18
N	10.5	19	19



CIRCUIT DIAGRAM



SPECIFICATION

Contact Rating 50mA 12V DC
 Contact Resistance 100mΩ max.
 Insulation Resistance 100MΩ min. 500V DC
 Dielectric Strength 250V AC/1 minute
 Travel 0.25mm
 Operating Temp. -25 C +70 C
 Storage Temp. -30 C +80 C

PAPT NO	TC-FS66D-X-X
Operating Force	A:100gf B:160gf C:260gf
Height	Code-X

ITEM	PAPT NAMF	TER.NO	QTY	MATERIAL	FINISHING	REMARK
⑤	Terminal	—	4	Brass (0.30t)	ag Plated	—
④	Contact	—	1	F.ag/SUS	—	—
③	Base	—	1	PA46	—	—
②	Cover	—	1	Brass	Tin plated	—
①	Keystake	—	1	PA46	—	—

MARK	DESCRIPTION	DATE	REVISED	APPROVED	UNSPECIFIED TOLERANCES
ΔX					units: mm
ΔX					tolerance: X.X ±0.2mm
ΔX					X.XX ±0.1mm
MARK					X.XXX ±0.05mm

DSND	DATE	SCALE: N/A	MODEL TYPE: TACT SWITCH
DWN	DATE	VIEW:	PART NO.:
CHKD	DATE	UNIT: mm	DWG NO.: TC-FS66D-X-X
APPD	DATE	SIZE: A4	WEIGHT 1.0g
XKB INDUSTRIAL PRECISION CO., LIMITED			SHEET 1/1
			REVISION A0