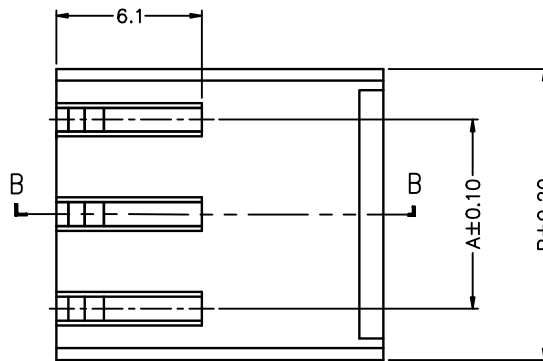
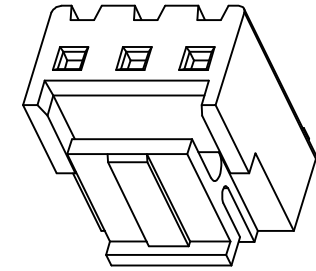
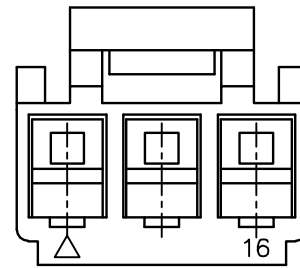
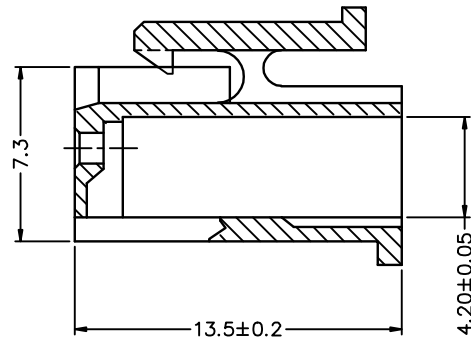
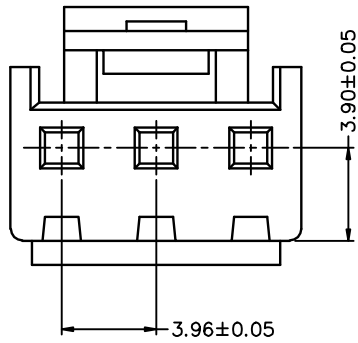


环保物料

TEL:0769-82001899



技术参数:

额定电流(Current rating) : 7.0A AC/DC

额定电压(Voltage rating) : 250V AC/DC

工作温度(Working temperature) : -25 ° C to +85 ° C

接触电阻(Contact resistance) : 10M Max.

绝缘电阻(Insulation resistance) : 1000M Min

耐压值(Withstand voltage) : 1500V AC/minute

适用线规(Applicable wire) : AWG#18-22

基座(Housing) : Nylon 66 UL94V-0

| Poles | A | B |
|-------|-------|-------|
| 2Y | 3.96 | 8.40 |
| 3Y | 7.92 | 12.36 |
| 4Y | 11.88 | 16.32 |
| 5Y | 15.84 | 20.28 |
| 6Y | 19.80 | 24.24 |
| 7Y | 23.76 | 28.20 |
| 8Y | 27.72 | 32.16 |
| 9Y | 31.68 | 36.12 |
| 10Y | 35.64 | 40.08 |

| | | | | TOLERANCE UNLESS OTHERWISE | | DRAWN | CK tan | XFCN兴飞连接器有限公司 | | SHEET | 1/1 |
|----|--------------|--|------|----------------------------|-------|-------|--------|--------------------------------------|-------------------------------|---------|-------------|
| | | | | X. | ±0.30 | X° | ±5° | CONNECTORS XFCN CONNECTORS CO., LTD. | | DATE | 2010. 4. 12 |
| | | | | .X | ±0.20 | .X° | ±2° | PRODUCT NAME | 3.96mm Crimp Style Connectors | UNITS | mm |
| | | | | .XX | ±0.08 | .XX° | ±1° | PART. NO. | P3960-XX | SCALE | 1:1 |
| AO | MODIFICATION | | DATE | .XXX | ±0.03 | .XXX° | ±0.5° | VIEW | | DWG NO. | 009 |