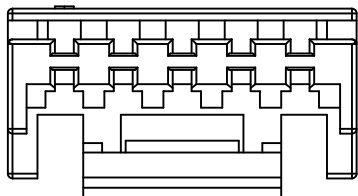
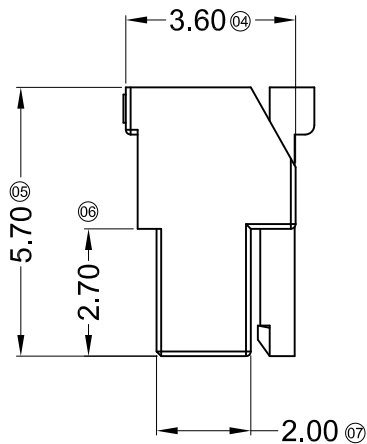
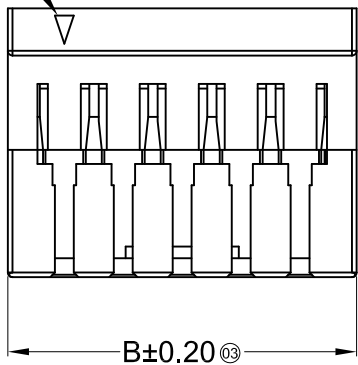


■ Specifications :

- Voltage rating: 50V AC / DC
- Current rating: 1A AC / DC
- Withstanding voltage: 500V AC/minute
- Temperature range: -25°C~+85°C
- Insulation resistance: ≥100MΩ
- Contact resistance: ≤30mΩ
- After environmental testing: ≤50mΩ

Circuit 1



Poles	Dimensions (mm)		Poles	Dimensions (mm)	
	A	B		A	B
02	1.25	3.60	09	10.00	12.35
03	2.50	4.85	10	11.25	13.60
04	3.75	6.10	11	12.50	14.85
05	5.00	7.35	12	13.75	16.10
06	6.25	8.60	13	15.00	17.35
07	7.50	9.85	14	16.25	18.60
08	8.75	11.10	15	17.50	19.85

				TOLERANCE UNLESS OTHERWISE		DRAWN	CK tan	XFCN 兴飞连接器有限公司 CONNECTORS XFCN CONNECTORS CO., LTD.		SHEET	1/1
				X.	±0.30	X°	±5°			CHKD	DATE
				.X	±0.20	.X°	±2°	APPD	PRODUCT NAME	1.25mm Crimp Style Connectors	
				.XX	±0.08	.XX°	±1°	VIEW	PART. NO.	P1257-XX-N0	
				.XXX	±0.03	.XXX°	±0.5°			SCALE	1:1
A0	MODIFICATION		DRAW	DATE					DWG NO.	009	