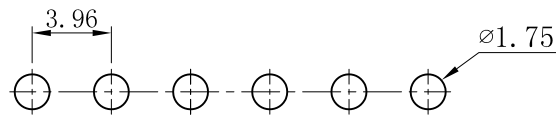
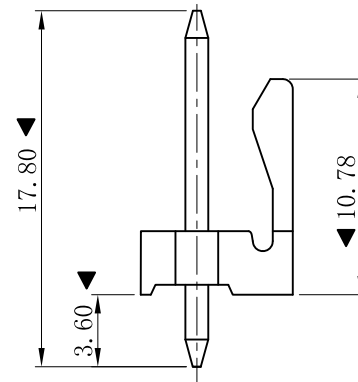
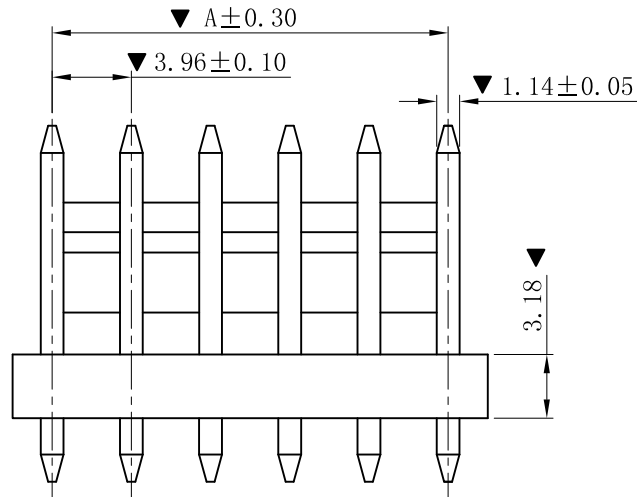
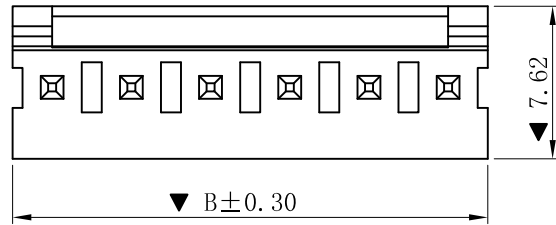


■ SPECIFICATIONS

- Voltage rating: 250V AC, DC
- Current rating: 5A, AC, DC
- Withstanding Voltage: 1500V AC/minute
- Insulation resistance: 1000MΩ min
- Temperature range: -25° C ~ +85° C
- Contact resistance: 20mΩ max



P. C. B. LAYOUT

Poles	Dimensions (mm)	
	A	B
02	3.96	7.92
03	7.92	11.88
04	11.88	15.84
05	15.84	19.80
06	19.80	23.76
07	23.76	27.72
08	27.72	31.68
09	31.68	35.64
10	35.64	39.60
11	39.60	43.56
12	43.56	47.52
13	47.52	51.48
14	51.48	55.44
15	55.44	59.40
16	59.40	63.36
17	63.36	67.32
18	67.32	71.28
19	71.28	75.24
20	75.24	79.20

				TOLERANCE UNLESS OTHERWISE		DRAWN	CK tan	XFCN 兴飞连接器有限公司 CONNECTORS XFCN CONNECTORS CO., LTD.	SHEET	1/1
				X.	$\pm 0.30$	X°	$\pm 5^\circ$		CHKD	DATE
				.X	$\pm 0.20$	.X°	$\pm 2^\circ$	APPD	PRODUCT NAME	3.96mm Crimp Style Connectors
				.XX	$\pm 0.08$	.XX°	$\pm 1^\circ$	VIEW	PART. NO.	M3965V-XX-N0
				.XXX	$\pm 0.03$	.XXX°	$\pm 0.5^\circ$			
AO	MODIFICATION		DRAW	DATE						