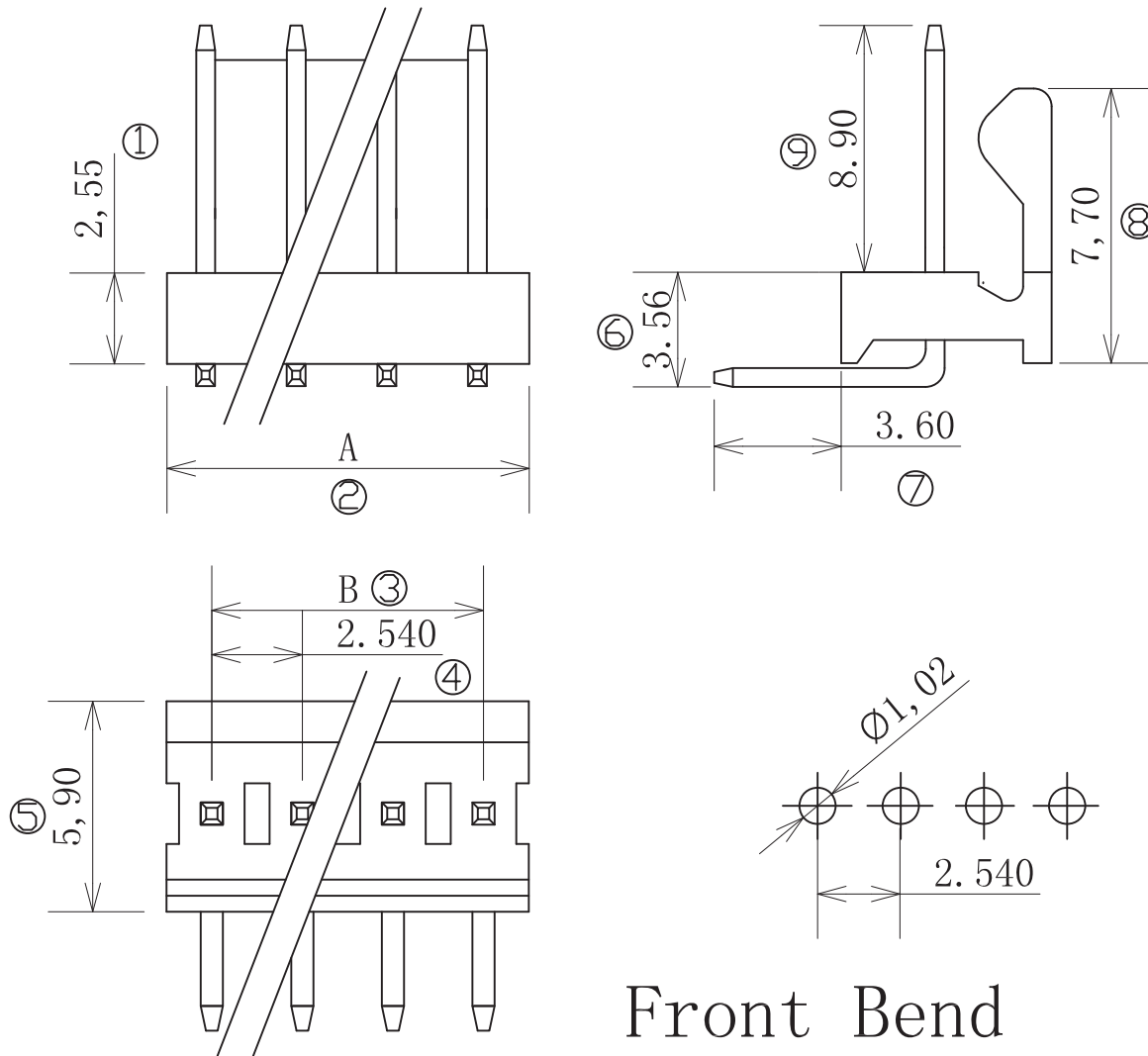


SPECIFICATIONS:

- Current rating:4A AC,DC
- Voltage rating:250V AC,DC
- Temperature range:-40°C~+130°C
- Contact resistance:3.0mVMax.
- Insulation resistance:5000MVMIn.
- Withstanding Voltage:2200V AC/minute
- Contact:0.64mm squareX18.00mm Length
- Material:HSG:Nylon66 UL94V-0
TER:Brass,Tin plated
- HSG and PIN solid needle bearing:2.0kg(min)
- Solder Resistance:Dip connector terminal tails in solder :Solder duration:4±0.5 Seconds; Solder temperature:245°C±0.5°C



Front Bend

Part NO	A	B	Part NO	A	B
2	5.08	2.54	10	25.40	22.86
3	7.62	5.08	11	27.94	25.40
4	10.16	7.62	12	30.48	27.94
5	12.70	10.16	13	33.02	30.48
6	15.24	12.70	14	35.56	33.02
7	17.78	15.24	15	38.10	35.56
8	20.32	17.78	16	40.64	38.10
9	22.86	20.32			

			TOLERANCE UNLESS OTHERWISE		DRAWN	CK tan	XFCN兴飞连接器有限公司 CONNECTORS XFCN CONNECTORS CO., LTD.		SHEET	1/1
			X.	±0.30	X°	±5°			CHKD	DATE
			.X	±0.20	.X°	±2°	APPD	PRODUCT NAME	2.54mm Crimp Style Connectors	
			.XX	±0.08	.XX°	±1°	VIEW	PART. NO.	M2545R-XX	
A0	MODIFICATION		DRAW	DATE	.XXX	±0.03	.XXX°	SCALE		1:1
VER					.XXX	±0.03	.XXX°	DWG. NO.		009