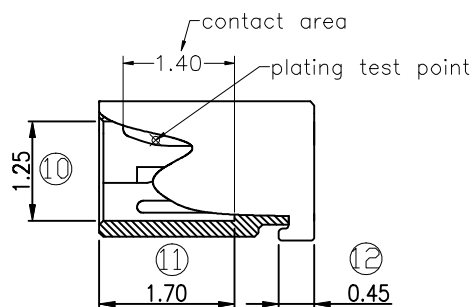
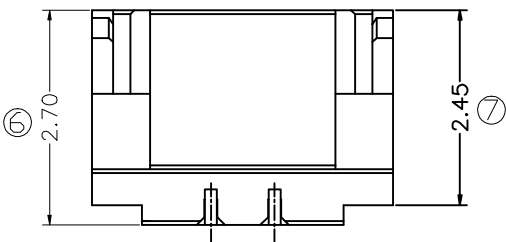
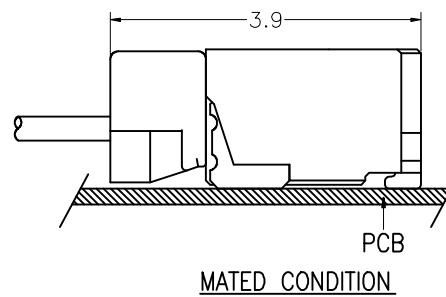
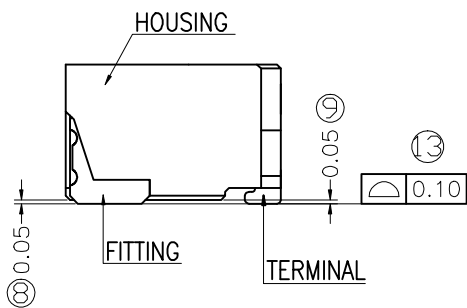
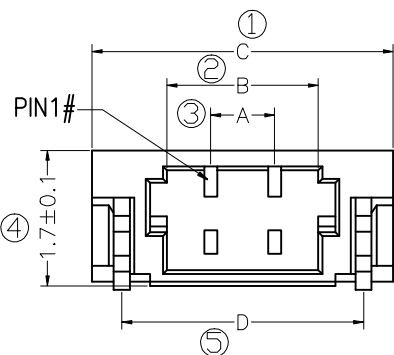
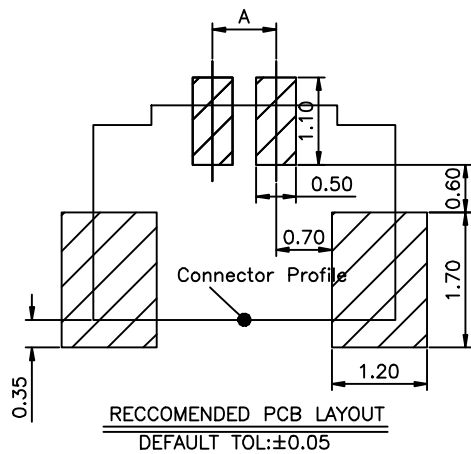


NOTE:
 1.MATERIAL:
 Housing: ThermalPlastic (UL94V-0)
 Terminal: Phosper Bronze(t=0.15)
 Fitting Nail:Brass(t=0.2)
 2.PLATING
 PLS SEE CRS PLATING CODE(P/N LEGEND)



CKT	DIM A	DIM B	DIM C	DIM D
2	0.80	1.90	3.78	3.04
3	1.60	2.70	4.58	3.84
4	2.40	3.50	5.38	4.64
5	3.20	4.30	6.18	5.44
6	4.00	5.10	6.98	6.24
7	4.80	5.90	7.78	7.04
8	5.60	6.70	8.58	7.84
9	6.40	7.50	9.38	8.64
10	7.20	8.30	10.18	9.44
11	8.00	9.10	10.98	10.24
12	8.80	9.90	11.78	11.04
13	9.60	10.70	12.58	11.84
14	10.40	11.50	13.38	12.64
15	11.20	12.30	14.18	13.44
16	12.00	13.10	14.98	14.24
17	12.80	13.90	15.78	15.04
18	13.60	14.70	16.58	15.84
19	14.40	15.50	17.38	16.64
20	15.20	16.30	18.18	17.44

SECTION A-A

				TOLERANCE UNLESS OTHERWISE		DRAWN	CK tan	XFCN兴飞连接器有限公司 CONNECTORS XFCN CONNECTORS CO., LTD.		SHEET	1/1
				X.	±0.30	X°	±5°			CHKD	DATE
				.X	±0.20	.X°	±2°	APPD	PRODUCT NAME	0.80mm IDC Style Connectors	
				.XX	±0.08	.XX°	±1°	VIEW	PART. NO.	M0800RS-XX-GN	
				.XXX	±0.03	.XXX°	±0.5°			DWG NO.	009
A0	MODIFICATION	DRAW	DATE								