

# HSF

Recommended P.C.B Layout(Top Side)  
(PCB BOARD TOLERANCE±0.05)

**NOTES:**

- Current Rating:1.0A
- Voltage Rating:100V AC,DC
- Contact Resistance:20mΩ max
- Withstand Voltage:800V AC/minute
- Insulation Resistance:1000MΩ min
- Operation Temperature:-25℃ to +85℃
- Contact Material:Brass
- Contact plating:Au or Sn Over Ni
- Insulator Material:PA66 Or PA46(UL94V-0)

## Ordering Information

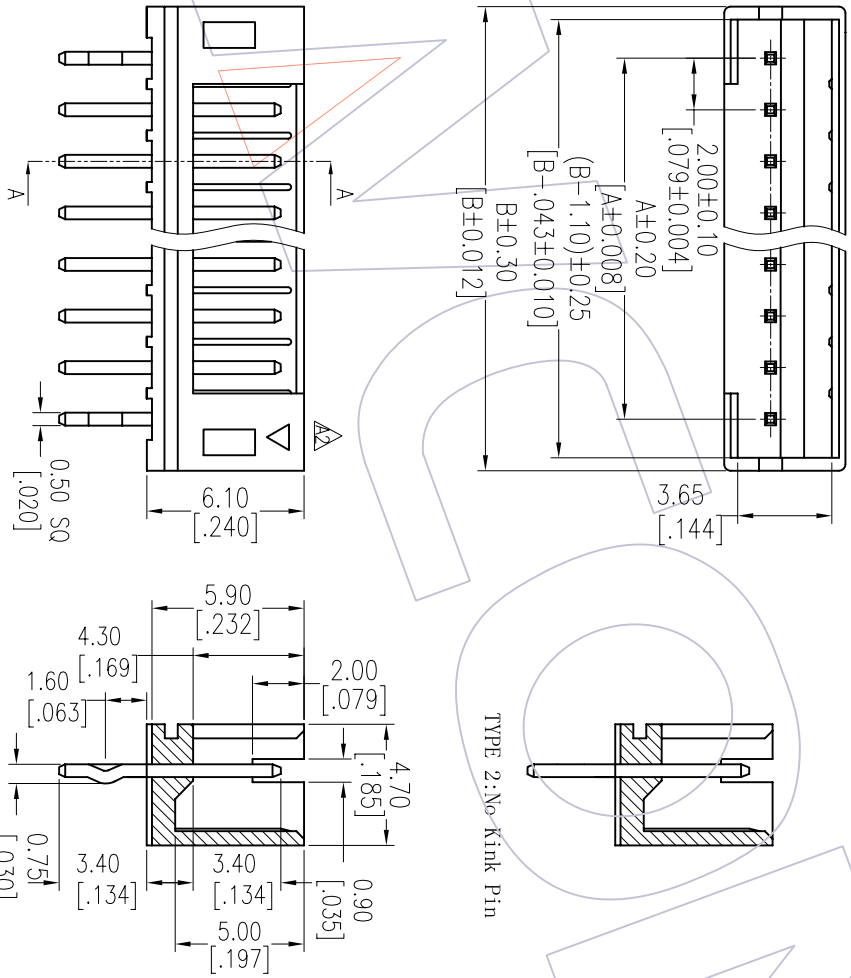
WF2001 - WS H XX X 0 X X

Contact Plating  
 S0=Gold Flash/Tin  
 S3=10u/Gold/Tin  
 S4=15u/Gold/Tin  
 S5=30u/Gold/Tin  
 G0=Gold Flash  
 G3=10u/Gold  
 G4=15u/Gold  
 G5=30u/Gold  
 Blank=Tin

Color  
 B=Black  
 E=Beige  
 W=White  
 T=Natural

Series No.  
 1=Type 1  
 2=Type 2

Packing  
 0=PE Bag  
 H=P/A46  
 02=20P  
 Blank=P/A66



**Dimensional & Ordering Information:**

Circuit	Part No.	Dimension		Q'TY /Bag
		A	B	
02	WF2001-WS02X0X	2.0	6.0	1,000
03	WF2001-WS03X0X	4.0	8.0	1,000
04	WF2001-WS04X0X	6.0	10.0	1,000
05	WF2001-WS05X0X	8.0	12.0	1,000
06	WF2001-WS06X0X	10.0	14.0	1,000
07	WF2001-WS07X0X	12.0	16.0	1,000
08	WF2001-WS08X0X	14.0	18.0	1,000
09	WF2001-WS09X0X	16.0	20.0	1,000
10	WF2001-WS10X0X	18.0	22.0	1,000
11	WF2001-WS11X0X	20.0	24.0	1,000
12	WF2001-WS12X0X	22.0	26.0	1,000
13	WF2001-WS13X0X	24.0	28.0	1,000
14	WF2001-WS14X0X	26.0	30.0	1,000
15	WF2001-WS15X0X	28.0	32.0	1,000
16	WF2001-WS16X0X	30.0	34.0	1,000
17	WF2001-WS17X0X	32.0	36.0	1,000
18	WF2001-WS18X0X	34.0	38.0	1,000
19	WF2001-WS19X0X	36.0	40.0	1,000
20	WF2001-WS20X0X	38.0	42.0	1,000

# WCON

Http: www.wcon.com

WCON-Dongguan Tel: +86 769 85358920  
 WCON-Kunshan Tel: +86 512 57468408  
 Fax: +86 769 85358915 Fax: +86 512 57468468  
 E-mail: sales@wcon.com E-mail: sales@wcon.com

REV	DATE	MODIFICATION DESCRIPTION	CHANGE
A1	2012/10/16	Modify drawing	
A0	2012/08/25	NEW	

OPERATION	DRAW	DATE	SCALE	PART NO.
XX	Wang	2012/10/16	mm	SEE TABLE
XX	CHECK	DATE	UNIT	TITLE:
XX	CHECK	DATE	SIZE	"J"TYPE PH2.0 WAFER 180°
XX	APPROVE	DATE	SHEET	Customer NO.
Angle	APPROVE	DATE	1/1	
± 3'	APPROVE	DATE	PROJ.	
TOL	APPROVE	DATE		