

HSF

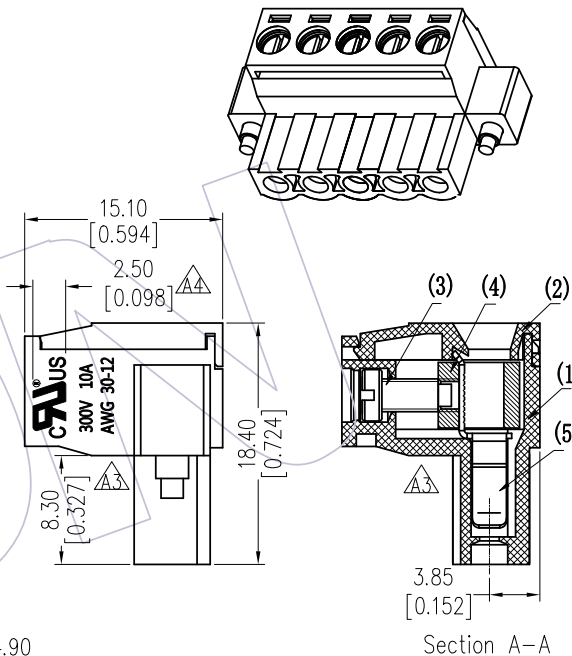
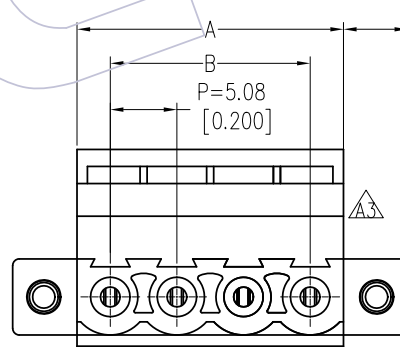
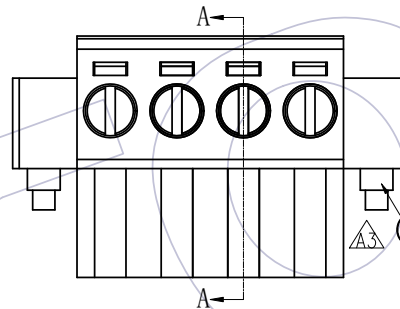
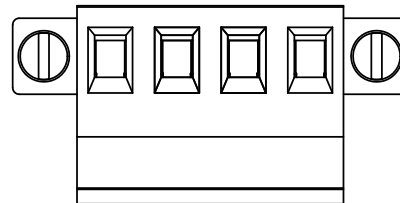
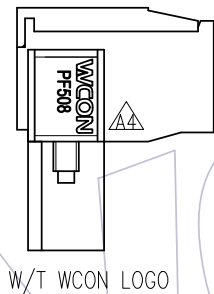
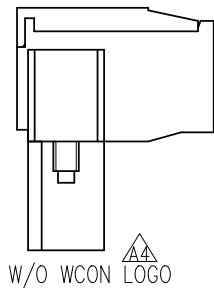
NOTES:
 Current Rating: 10A
 Voltage Rating: 300V
 Contact Resistance: 8milliohm Max
 Withstand Voltage: AC2000V
 Insulation Resistance: 1000Megohm Min
 Screw Torque: 4.4 lbf.in
 Wire range: 12-30AWG
 Operation Temperature: -40℃ to +105℃

Ordering Information:

P F 508- C XX A SM W 1 N

F=Female Pitch No.of Pins Contact Plated Blank=W/T WCON Logo
 508=5.08 02-24P SM=Matte Tin N=W/O WCON Logo
 Color Type
 A=Green W=With Screw

13P	66.04 ±0.30	60.96 ±0.30			
12P	60.96 ±0.30	55.88 ±0.30	24P	121.92 ±0.50	116.84 ±0.50
11P	55.88 ±0.30	50.80 ±0.30	23P	116.84 ±0.50	111.76 ±0.50
10P	50.80 ±0.30	45.72 ±0.30	22P	111.76 ±0.50	106.68 ±0.50
9P	45.72 ±0.30	40.64 ±0.30	21P	106.68 ±0.50	101.60 ±0.50
8P	40.64 ±0.30	35.56 ±0.30	20P	101.60 ±0.50	96.52 ±0.50
7P	35.56 ±0.20	30.48 ±0.20	19P	96.52 ±0.40	91.44 ±0.40
6P	30.48 ±0.20	25.40 ±0.20	18P	91.44 ±0.40	86.36 ±0.40
5P	25.40 ±0.20	20.32 ±0.20	17P	86.36 ±0.40	81.28 ±0.40
4P	20.32 ±0.20	15.24 ±0.20	16P	81.28 ±0.40	76.20 ±0.40
3P	15.24 ±0.20	10.16 ±0.20	15P	76.20 ±0.40	71.12 ±0.40
2P	10.16 ±0.20	5.08 ±0.10	14P	71.12 ±0.40	66.04 ±0.40
PIN	A	B	PIN	A	B



(6)	Screw-2	MC025-1SZC01	2	C1018
(5)	Contact	TPT051-PSM002	N	C5191R-H T=0.4mm
(4)	Pin Block	BL025-1SNI01	N	C3604
(3)	Screw	MA025-1SXX01	N	C1018
(2)	Cover	XPC508-XXB1XN1	1	PA66 UL94-V0
(1)	Housing	XPF508-XXB1XW1(N)	1	PA66 UL94-V0
ITEM	品名	料号	数量	材料

A4	2020/08/03	ADD LOGO;ADD W/O LOGO P/N	XSR	OPERATION	DRAW	DATE	SCALE	FIT	PART NO.
A3	2015/12/15	Modify	—	X.X ±0.40	XSR	2020/08/03	UNIT	mm	PF508-CXXASMW1(N)
A2	2015/07/15	Modify	—	X.XX ±0.25	CHECK	DATE	SIZE	inch	TITLE:
A0	2011/06/08	NEW	—	X.XXX ±0.15	APPROVE	DATE	SHEET	A4	5.08mm Pitch Female
REV	DATE	MODIFICATION DESCRIPTION	CHANGE	Angle ± 3°			PROJ.	1/1	Pluggable Terminal Blocks
				DIM TOL					Customer NO.

WCON
 Http: www.wcon.com

WCON-Dongguan Tel: +86 769 85358920
 WCON-Kunshan Tel: +86 512 57468408
 Fax: +86 769 85358915 Fax: +86 512 57468468
 E-mail: sales@wcon.com E-mail: salesks@wcon.com