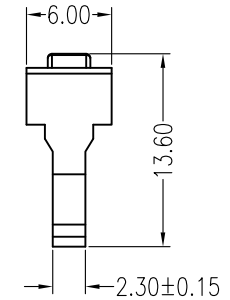
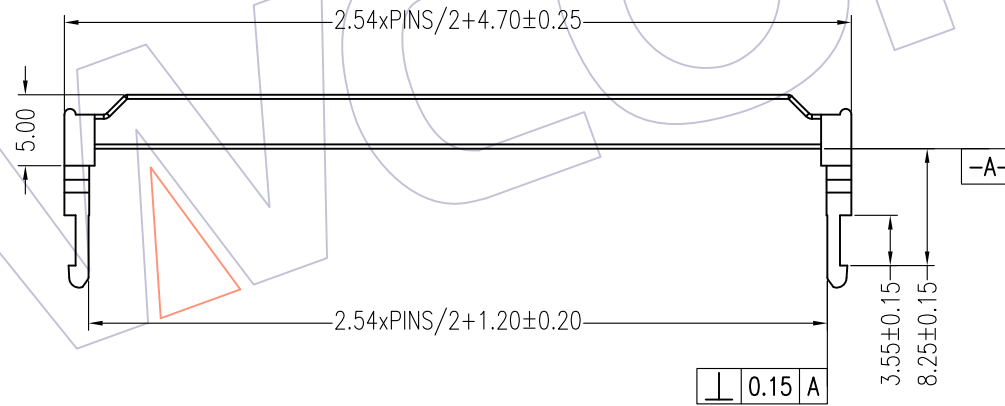
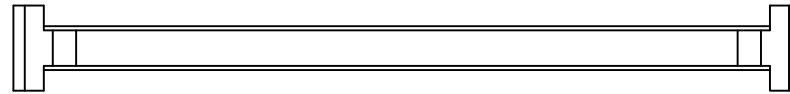


HSF

NOTES:
 Operation Temperature: -40°C to +105°C
 Material: PBT+30%G.F UL94V-0 BK

Match with: 5212-XXYPS1BW01(2271035)



Ordering Information

G5210 - XX D B 01

No. of Pins
 06P 26P
 08P 30P
 10P 34P
 12P 36P
 14P 40P
 16P 44P
 18P 50P
 20P 60P
 22P 64P
 24P

Color
 B=Black

REV	DATE	MODIFICATION DESCRIPTION	CHANGE	OPERATION	DRAW	DATE	SCALE	Fit	PART NO.
AO	2016/11/17	NEW	-----	x.x ±0.30	William Chen	2016/11/17	UNIT	mm	G5210-XXDB01
				x.xx ±0.20	CHECK	DATE	SIZE	A4	TITLE:
				x.xxx	APPROVE	DATE	SHEET	1/1	2.54mm IDC SOCKET SR
				Angle ± 3'			PROJ.	☉	Customer NO.
				DIM TOL					K7013(2271036)

WCON
 Http: www.wcon.com

WCON-Dongguan Tel: +86 769 85358920 Fax: +86 769 85358915 E-mail: sales@wcon.com	WCON-Kunshan Tel: +86 512 57468408 Fax: +86 512 57468468 E-mail: salesks@wcon.com
---	--