

HSF

NOTES:
 Current Rating: 1.0AMP
 Contact Resistance: 20mΩ Max
 Withstand Voltage: 500V AC/DC
 Insulation Resistance: 1000MΩ Min
 Operation Temperature: -40°C to +105°C

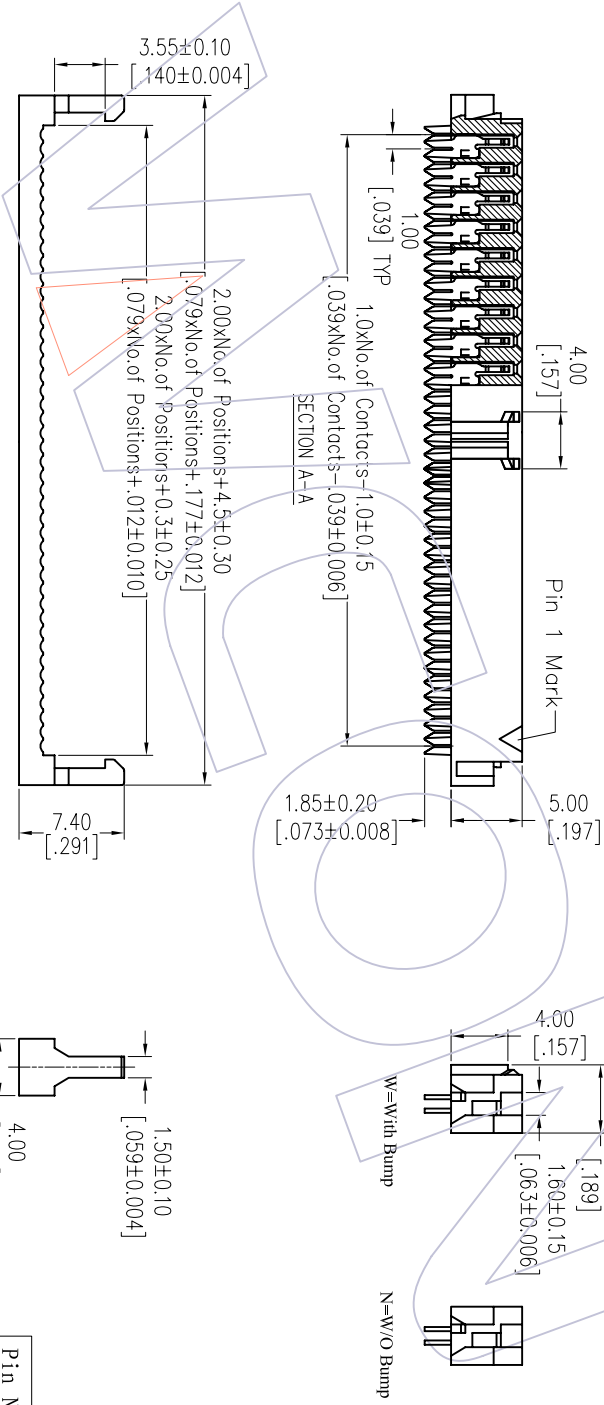
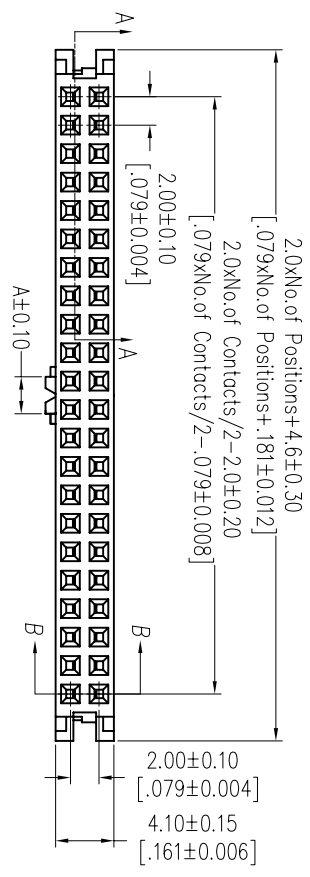
Contact Material: Phosphor Bronze
 Contact plating: Au Or Sn over Ni
 Insulator Material: PBT+30%G.F UL94V-0

Ordering Information

5224-XX YP XX B X 01

- | | | | |
|-------------|------------------|-----------------|----------------|
| No. of Pins | Contact Plating | Color Insulator | Bump |
| 06P 26P | S0=Gold Flash/Ni | B=Black | N=Without Bump |
| 08P 30P | S3=10u"Gold/Ni | G=Grey(427C) | W=With Bump |
| 10P 34P | S4=15u"Gold/Ni | E=Grey(413C) | |
| 12P 36P | S5=30u"Gold/Ni | | |
| 14P 40P | SN=7m | | |
| 16P 44P | | | |
| 18P 50P | | | |
| 20P 60P | | | |
| 22P 64P | | | |
| 24P | | | |

Item	Pitch	Mating
Standard	2.00	3122
Alternate		



Pin No.	DIM "A"
8P~64P	2.60
6P	2.00

REV	DATE	MODIFICATION DESCRIPTION	CHANGE	DIM	TOL	APPROVE	DATE	SHEET	PROJ.	CUSTOMER NO.
A0	2012/10/10	NEW						1/1		
OPERATION		DRAW	DATE	SCALE	FIT	PART NO.	TITLE:			
XX		JYHuog	2012/10/10	±0.40	mm	5224-XXYPXXBX01	2.00 IDC SOCKET (F TYPE)			
CHECK		CHECK	DATE	SIZE	A4	Customer NO.				
X.XXX				±0.25						
Angle				±0.15						
± 3°										
WCON-Dongguan		Http: www.wcon.com		WCON-Kunshan						
Tel: +86 769 85358920		Tel: +86 512 57468408		Fax: +86 512 57468468						
Fax: +86 769 85358915		Fax: +86 512 57468468		E-mail: sales@wcon.com						
E-mail: sales@wcon.com		E-mail: sales@wcon.com								

WCON

WCON-Dongguan
 Tel: +86 769 85358920
 Fax: +86 769 85358915
 E-mail: sales@wcon.com

WCON-Kunshan
 Tel: +86 512 57468408
 Fax: +86 512 57468468
 E-mail: sales@wcon.com