

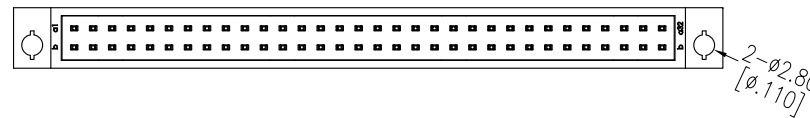
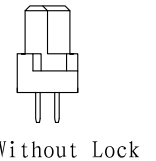
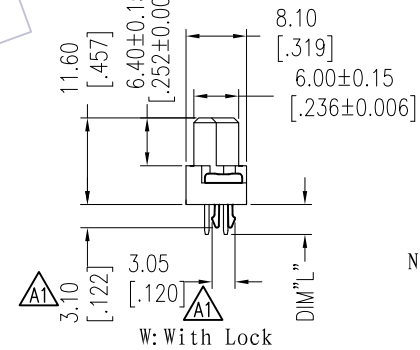
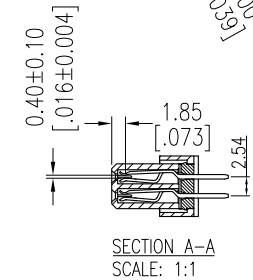
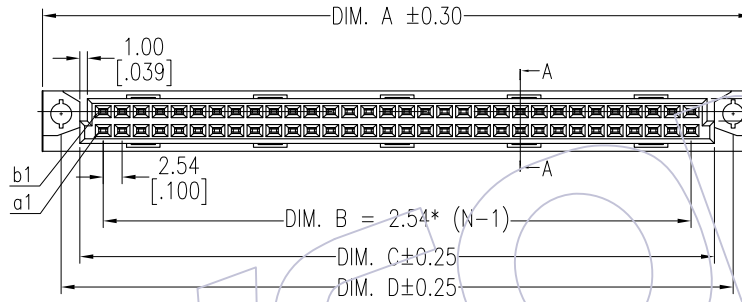
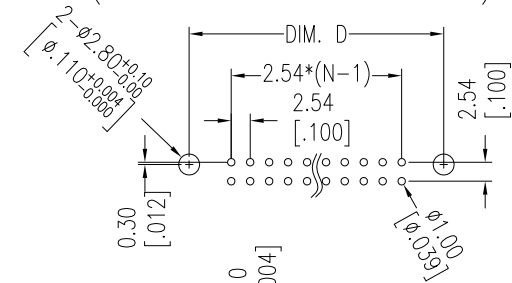
# HSF

**NOTES:**

Current Rating: 3.0AMP  
 Contact Resistance: 30mΩ max  
 Withstand Voltage: 1000V AC/DC  
 Insulation Resistance: 1000MΩ  
 Operation Temperature: -55°C~+105°C

Contact Material: Phosphor Bronze  
 Contact Plating: Au and Sn over Ni  
 Fixing Material: Phosphor Bronze  
 Fixing Plating: Sn over Ni  
 Housing Material: PBT+30% G.F(UL94V-0)  
 Cover Material: PBT+30% G.F(UL94V-0)

Recommended P.C.B Layout(Top Side)  
 (PCB BOARD TOLERANCE ±0.05)



## Ordering Information

3410-2 XX X FS SX X A X

No. of Pins Per Row: 10pin, 16pin, 32pin  
 Rows with Contacts: B=a+b, D=a  
 Contact Plating: S0=Gold Flash/Tin, S1=3u"Gold/Tin, S3=10u"Gold/Tin, S4=15u"Gold/Tin, S5=30u"Gold/Tin, SN=Tin  
 Packing: A=Tray  
 DIP Length: 1: L=2.50, 2: L=3.00, 3: L=4.00, 4: L=4.57  
 W=With Lock, N=Without Lock

B	64	2	32	95.00	78.74	85.00	90.00
B/2	32	2	16	55.00	38.10	44.40	50.00
B/3	20	2	10	39.76	22.86	29.10	34.76
TYPE	POS.	ROWS	N	DIM.A	DIM.B	DIM.C	DIM.D

		OPERATION		DRAW JYHuang	DATE 2014/08/12	SCALE UNIT	FIT mm inch	PART NO. 3410-2XXXFSXXXAX
A1	2014/08/12	Modify The Dim	X.X					
AO	2014/05/29	NEW	X.XX	±0.25	CHECK	DATE	SIZE A4	TITLE: 2.54PITCH DIN 41612 B, B/2, B/3 TYPE FEMALE
REV	DATE	MODIFICATION DESCRIPTION	CHANGE	Angle DIM	± 3' TOL	APPROVE	DATE	SHEET 1/1
								Customer NO.

**WCON**  
 Http: www.wcon.com

WCON-Dongguan  
 Tel: +86 769 85358920  
 Fax: +86 769 85358915  
 E-mail: sales@wcon.com

WCON-Kunshan  
 Tel: +86 512 57468408  
 Fax: +86 512 57468468  
 E-mail: sales@wcon.com