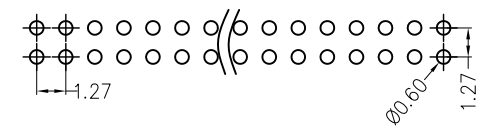
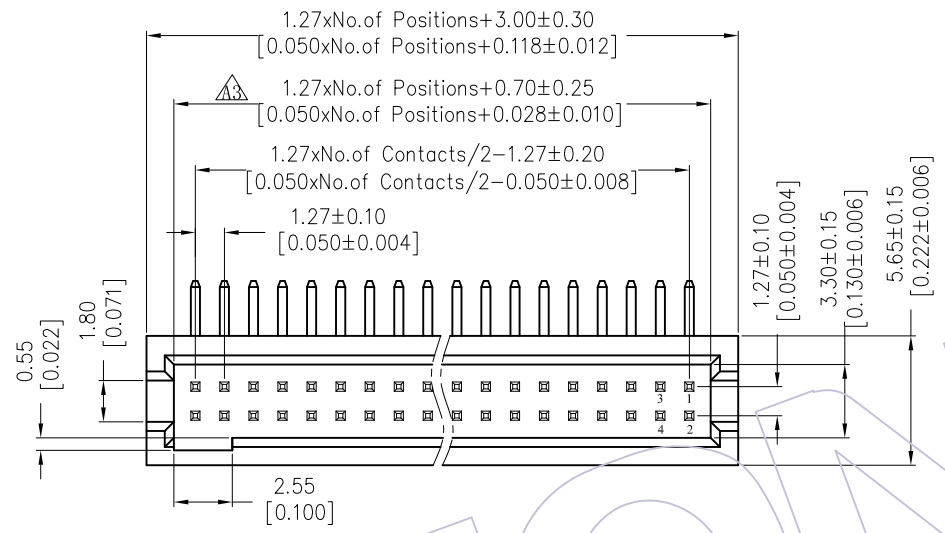


# HSF

Recommended P. C. B Layout (Top Side)  
(PCB BOARD TOLERANCE  $\pm 0.05$ )

NOTES:  
Current Rating: 1AMP  
Contact Resistance: 20m $\Omega$  max  
Withstand Voltage: 500V AC/DC  
Insulation Resistance: 1000M $\Omega$  min  
Operation Temperature: -40 $^{\circ}$ C to +105 $^{\circ}$ C

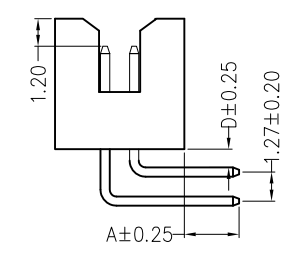
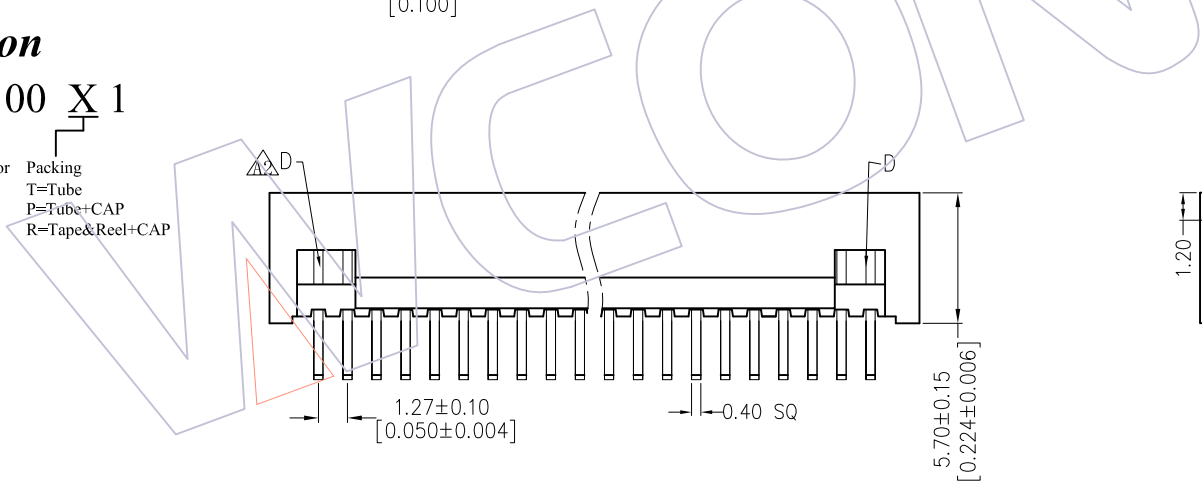
Contact Material: Brass  
Contact plating: Au or Sn Over Ni  
Insulator Material: PA9T+33%GF(UL94V-0)  
6 To 8 Pin No "D" Configuration  $\Delta 3$



## Ordering Information

3131-XX R XX B K 00 X 1

No. of Pins	Contact Plating	Color Insulator	Packing
6 8	G0=Gold Flash	B=Black	T=Tube
10 34	G3=10u"Gold		P=Tube+CAP
14 40	G4=15u"Gold		R=Tape&Reel+CAP
20 44	G5=30u"Gold		
24 50	S0=Gold Flash/Tin		
26 60	S3=10u"Gold/Tin		
30 64	S4=15u"Gold/Tin		
32 80	S5=30u"Gold/Tin		
$\Delta 100$	SN=Tin		



Item	Pitch	Mating	A	D
Standard	1.27	2344	2.40	0.80
Alternate				

REV	DATE	MODIFICATION DESCRIPTION	CHANGE	OPERATION	DRAW	DATE	SCALE	FIT	PART NO.
A3	2016/11/14	Change Dimension	$\Delta 3$	OPERATION	DingWenMin	2016/11/14	SCALE	FIT	3131-XXRXXBK00X1
A2	2013/09/27	Modify	$\Delta 2$	X.X ±0.40	CHECK	DATE	UNIT	mm	TITLE:
A1	2012/12/28	MODIFY THE NOTES	$\Delta 1$	X.XX ±0.25	APPROVE	DATE	SIZE	inch	1.27 BOX HEADER 90° H=5.70
A0	2012/09/18	NEW		X.XXX ±0.15			SHEET	1/1	Customer NO.
				Angle ± 3°			PROJ.		
				DIM TOL					

**WCON**  
Http: www.wcon.com

WCON-Dongguan  
Tel: +86 769 85358920  
Fax: +86 769 85358915  
E-mail: sales@wcon.com

WCON-Kunshan  
Tel: +86 512 57468408  
Fax: +86 512 57468468  
E-mail: salesks@wcon.com