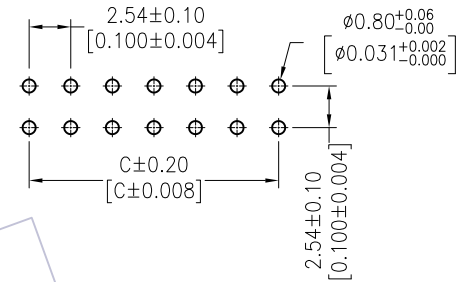
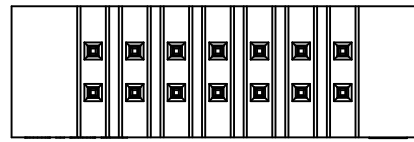


HSF

NOTES:
 Rated Current:1.0AMP
 Rated Voltage:250V
 Contact Resistance:15mΩ max
 Withstand Voltage:500V AC/DC
 Insulation Resistance:1000MΩ min
 Operation Temperature:-40°C to +105°C

Housing Material:PBT+30%GF(UL94V-0)
 Contact Material:Brass
 Contact plating:Au or Sn over Ni Plated

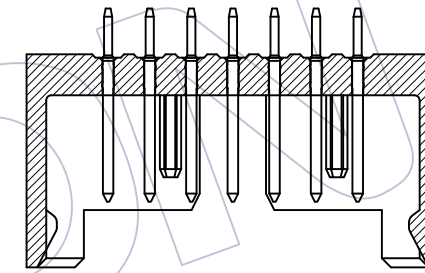
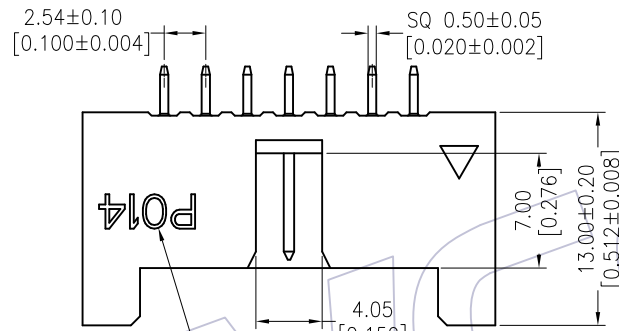
Recommended P. C. B Layout (Top Side)
 (PCB BOARD TOLERANCE ± 0.05 T=1.6/2.0)



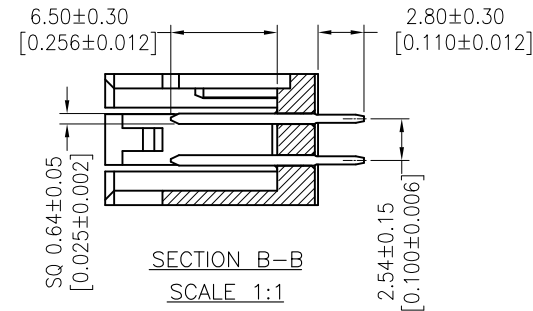
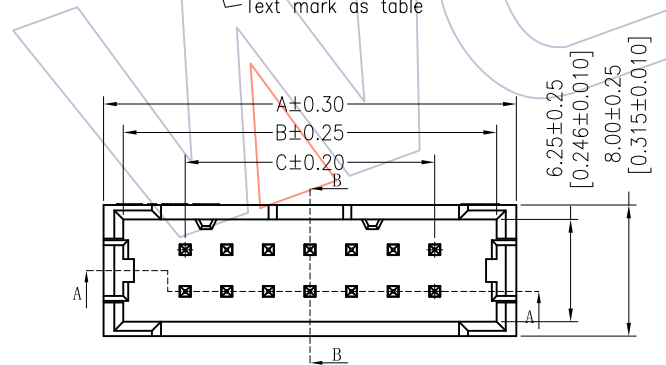
Ordering Information

3114-XX S XX B K00 X 1

No. of Pins	Contact Plating	Color Insulator	Packing:
14P	G0=Gold Flash	B=Black	A=Tray
16P	G3=10u"Gold		T=Tube
20P	G4=15u"Gold		
24P	G5=30u"Gold		
26P	S0=Gold Flash/Tin		
30P	S3=10u"Gold/Tin		
34P	S4=15u"Gold/Tin		
	S5=30u"Gold/Tin		
	SN=Tin		



SECTION A-A
SCALE 1:1



SECTION B-B
SCALE 1:1

TEXT MARK	No. Of POSITION	DIM.A	DIM.B	DIM.C
PO14	14	25.20	22.80	15.24
PO16	16	27.74	25.34	17.78
PO20	20	32.82	30.42	22.86
PO24	24	37.90	35.50	27.94
PO26	26	40.44	38.04	30.48
PO30	30	45.52	43.12	35.56
PO34	34	50.60	48.20	40.64

REV	DATE	MODIFICATION DESCRIPTION	CHANGE	OPERATION		DRAW	DATE	SCALE	FIT	PART NO.
				X.X	±0.40					
				X.XX	±0.25	Allen	2014/11/17	UNIT	mm	3114-XXSXXBK00X1
				X.XXX	±0.15	CHECK	DATE	SIZE	A4	
A0	2014/11/17	NEW		Angle	± 3'	APPROVE	DATE	SHEET	1/1	H=13.0 180° DIP
				DIM	TOL			PROJ.		Customer NO.

WCON
 Http: www.wcon.com

WCON-Dongguan
 Tel: +86 769 85358920
 Fax: +86 769 85358915
 E-mail: sales@wcon.com

WCON-Kunshan
 Tel: +86 512 57468408
 Fax: +86 512 57468468
 E-mail: salesks@wcon.com