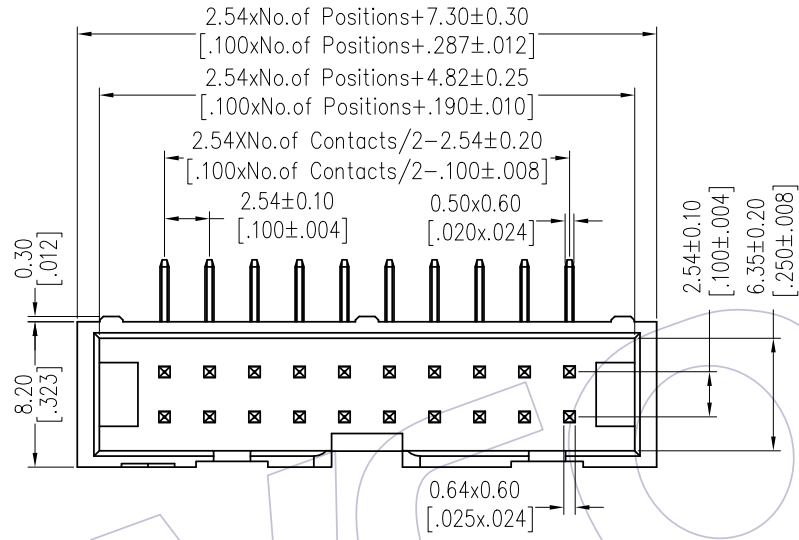


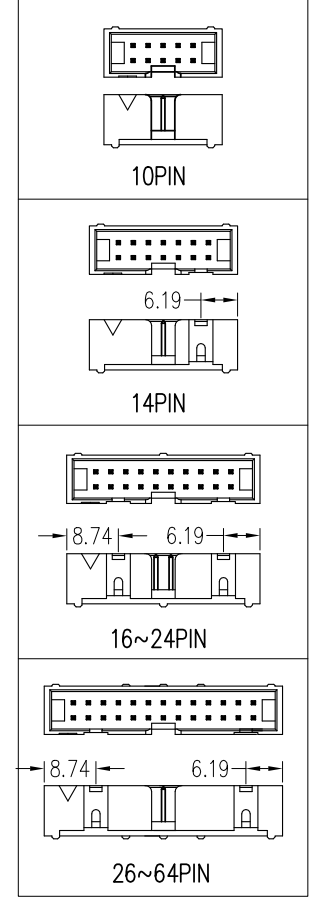
HSF

Recommended P.C.B Layout (Top Side)
(PCB BOARD TOLERANCE±0.05)

NOTES:
 Rated Current: 3.0AMP.
 Contact Resistance: 20mΩ Max.
 Withstand Voltage: 1000V AC/DC
 Insulation Resistance: 1000MΩ Min.
 Operation Temperature: -40℃ to +105℃
 Contact Material: Brass
 Contact Plating: Au or Sn Over Ni
 Insulator Material: PBT+30%G.F UL94V-0 BK



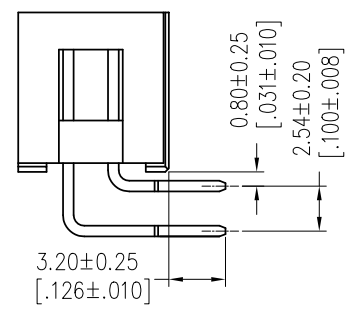
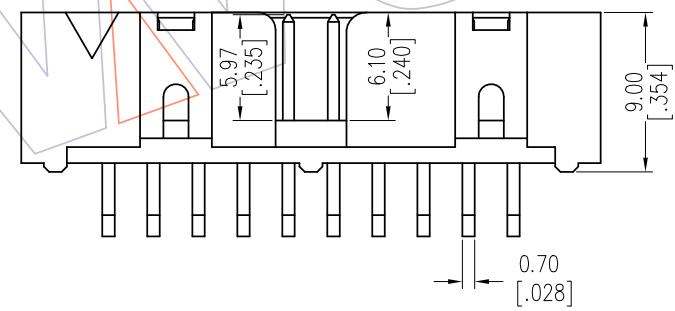
SCALE 1:3



Ordering Information

3113- XX R XX B K00 X 1

No. of Pins	Contact Plating	Packing
10P 30P	S0=Gold Flash/Tin	A=Tray
14P 34P	S3=10u"Gold/Tin	
16P 40P	S4=15u"Gold/Tin	
20P 50P	S5=30u"Gold/Tin	
24P 60P	SN=Tin	
26P 64P		



OPERATION	DRAW	DATE	SCALE	Fit	PART NO.
x.x ±0.40	William Chen	2016/03/15	UNIT	mm [inch]	3113-XXRXXBK00XX
x.xx ±0.25	CHECK	DATE	SIZE	A4	TITLE:
x.xxx ±0.15	APPROVE	DATE	SHEET	1/1	2.54 Box Header,R/A,H=9.0
Angle ± 3°			PROJ.	Customer NO.	
DIM TOL					
REV	DATE	MODIFICATION DESCRIPTION	CHANGE		
AO	2016/03/15	NEW	-----		

WCON
 Http: www.wcon.com

WCON-Dongguan
 Tel: +86 769 85358920
 Fax: +86 769 85358915
 E-mail: sales@wcon.com

WCON-Kunshan
 Tel: +86 512 57468408
 Fax: +86 512 57468468
 E-mail: salesks@wcon.com