

HSF

NOTES:

Current Rating: 3.0AMP
 Contact Resistance: 20mΩ Max
 Withstand Voltage: 1000V AC/DC
 Insulation Resistance: 1000MΩ Min
 Operation Temperature: -40°C to +105°C

Contact Material: Brass
 Contact plating: Au Or Sn over Ni
 Insulator Material: PA9T+30%G.F UL94V-0(Std)
 Or PBT+30%G.F UL94V-0

Ordering Information

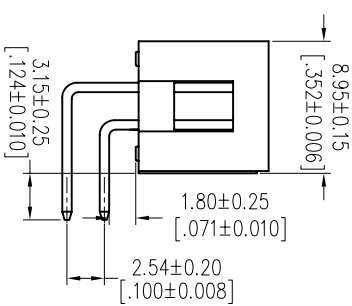
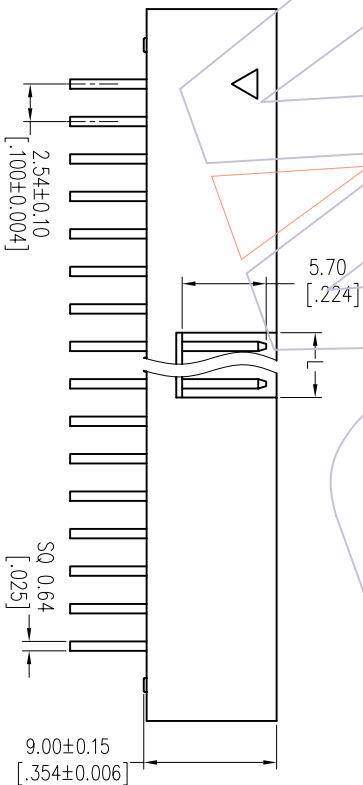
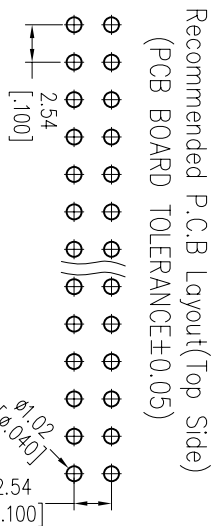
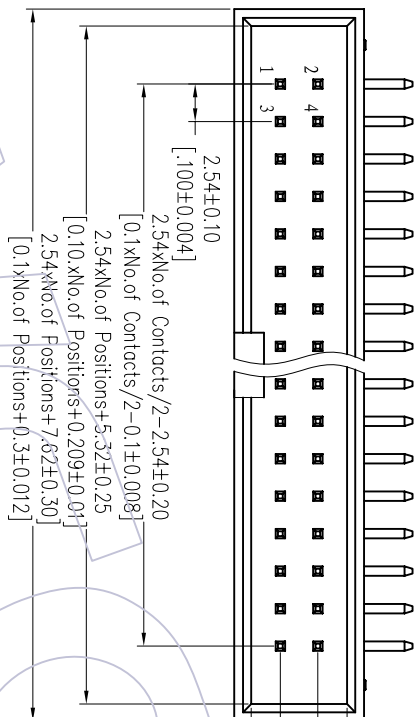
3110-XX R XX B K00 XX

No. of Pins: 6P 24P 8P 26P 10P 30P 12P 34P 14P 40P 16P 50P 18P 60P 20P 64P

Contact Plating: G0=Gold Flash G3=10u"Gold G4=15u"Gold G5=30u"Gold S0=Gold Flash/Tin S3=10u"Gold/Tin S4=15u"Gold/Tin S5=30u"Gold/Tin SN=Tin

Color Insulator: B=Black U=Blue G=Gray(427C) F=Gray(413C)

Packing: A=Tray T=Tube



Item	Pitch	Mating
Standard	2.54	5212/2185
Alternate		

Dimension antitheses list	
NO. Pin	L
6P-8P	4.00
10P-64P	4.40

REV	DATE	MODIFICATION DESCRIPTION
A0	2012/09/25	NEW

OPERATION	DRAW	DATE	SCALE	FIT	PART NO.
XX	JYHuong	2012/09/25	UNIT	mm	3110-XXRXXBK00XX
XX	CHECK	DATE	SIZE	A4	TITLE: 2.54 BOX HEADER 90° H=9.0
XX	APPROVE	DATE	SHEET	1/1	Customer NO.
Angle	± 3'		PROU.		
DIM	TOL				

WCON

Http: www.wcon.com

WCON-Dongguan Tel: +86 769 85358920 Fax: +86 769 85358915 E-mail: sales@wcon.com	WCON-Kunshan Tel: +86 512 57468408 Fax: +86 512 57468468 E-mail: sales@wcon.com
---	--