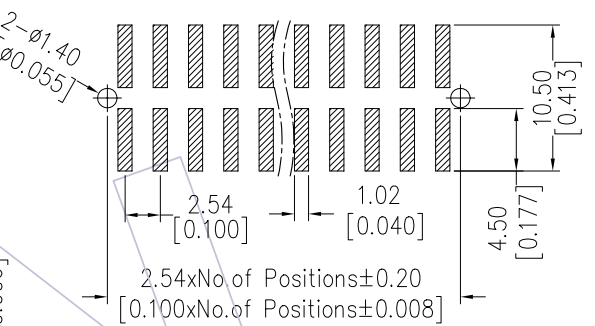
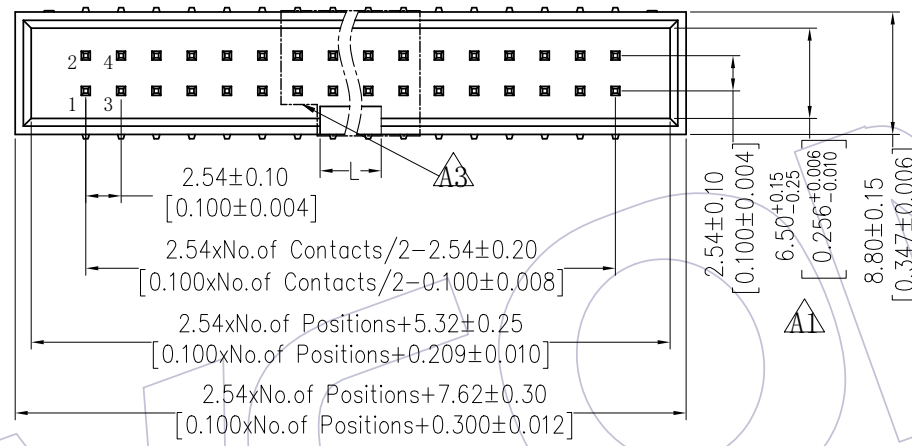


HSF

Recommended P. C. B Layout (Top Side)
(PCB BOARD TOLERANCE ±0.05)

NOTES:
 Current Rating: 3AMP
 Contact Resistance: 20mΩ max
 Withstand Voltage: 500V AC/DC
 Insulation Resistance: 1000MΩ min
 Operation Temperature: -40℃ to +105℃

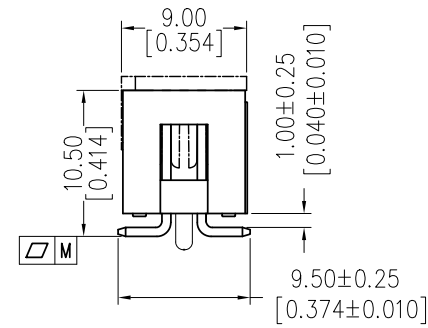
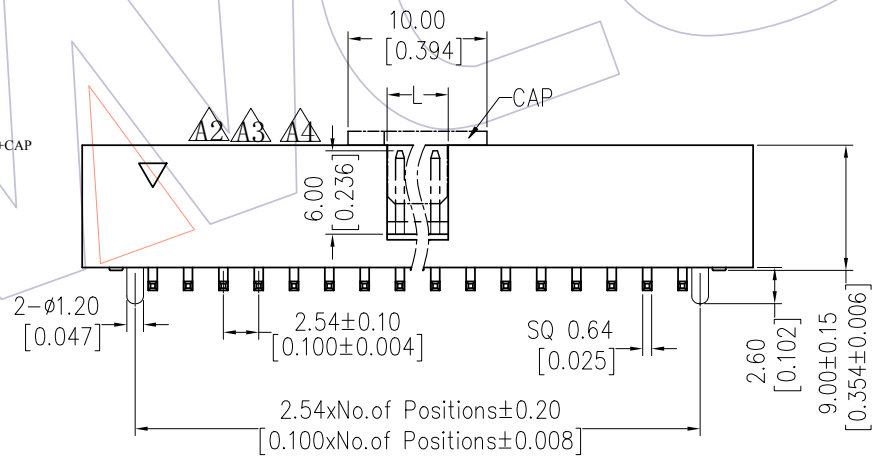
Contact Material: Brass
 Contact plating: Au or Sn Over Ni
 Insulator Material: PA9T+33%G.F(UL94V-0)



Ordering Information

3110-XX M XX B K00 X X

- No. of Pins
6P 24P
8P 26P
10P 30P
12P 34P
14P 40P
16P 50P
18P 60P
20P 64P
- Contact Plating
G0=Gold Flash
G3=10u"Gold
G4=15u"Gold
G5=30u"Gold
S0=Gold Flash/Tin
S3=10u"Gold/Tin
S4=15u"Gold/Tin
S5=30u"Gold/Tin
SN=Tin
- Color Insulator
B=Black
- Packing:
T=Tube
P=Tube+CAP
R=Tape&Reel+CAP



Dimension antitheses list

	NO. Pin		L
△△	PIN 6-40P	40-64P	6P-8P 4.00
M	0.10	0.15	10P-64P 4.40

REV	DATE	MODIFICATION DESCRIPTION	CHANGE	OPERATION	DRAW	DATE	SCALE	FIT	PART NO.
A5	2019/01/24	MODIFY PART NO.	△△	OPERATION	DRAW	2019/01/24	SCALE	FIT	3110-XXMXXBK00XX △△
A4	2018/11/09	5.90--6.00	△△	x.X ±0.40	Ding		UNIT	mm	TITLE: 2.54 BOX HEADER SMT H=9.0 WITH POST
A3	2012/09/05	MODIFY CAP	△△	x.XX ±0.25	CHECK	DATE	SIZE	A4	
A0	2008/05/08	NEW	---	x.XXX ±0.15	APPROVE	DATE	SHEET	1/1	
				Angle ± 3°			PROJ.	Customer NO.	

WCON
 Http: www.wcon.com

WCON-Dongguan Tel: +86 769 85358920 Fax: +86 769 85358915 E-mail: sales@wcon.com

WCON-Kunshan Tel: +86 512 57468408 Fax: +86 512 57468468 E-mail: salesks@wcon.com