

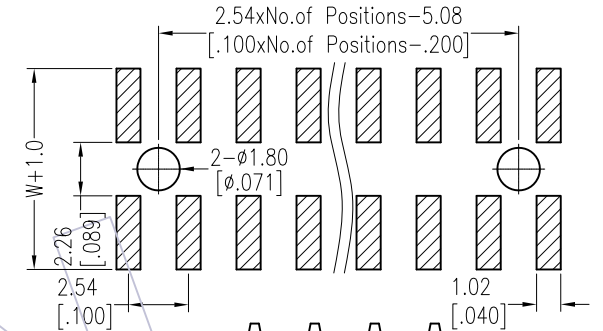
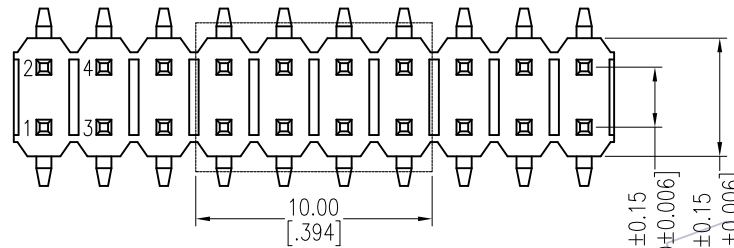
# HSF

**NOTES:**

Rated Current:3.0AMP.  
 Contact Resistance:20mΩ Max.  
 Withstand Voltage:1000V AC/DC  
 Insulation Resistance:1000MΩ Min.  
 Operation Temperature:-40°C to +105°C

Contact Material:Brass  
 Contact Plating:Au or Sn Over Ni  
 Insulator Material:PA9T+33%G.F UL94V-0 BK

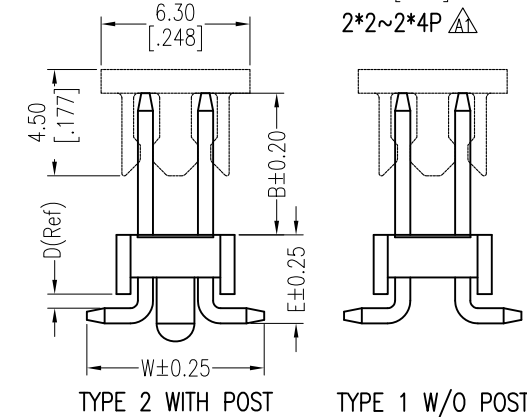
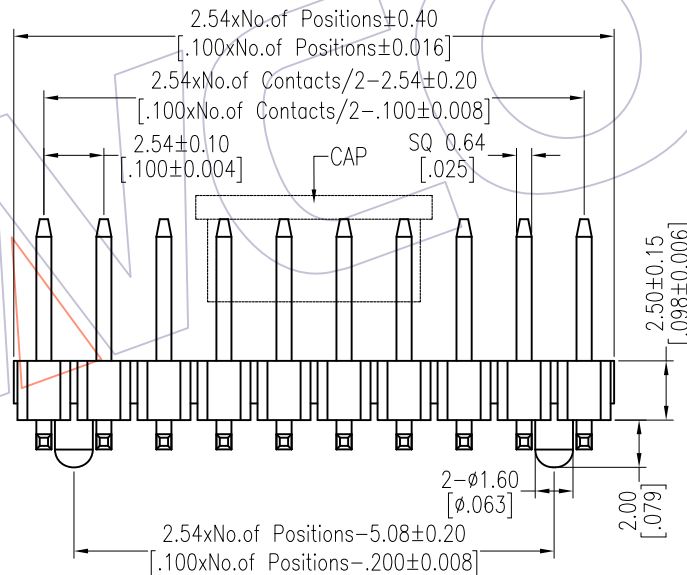
Recommended P.C.B Layout (Top Side)  
 (PCB BOARD TOLERANCE±0.05)



## Ordering Information

1125-12 XX XX M XXX C R XX

No. of Pins Per Row:02~40	Contact Plating G0=Gold Flash G3=10u"Gold G4=15u"Gold G5=30u"Gold S0=Gold Flash/Tin S3=10u"Gold/Tin S4=15u"Gold/Tin S5=30u"Gold/Tin SN=Tin SM=Matte Tin	Pin Length L=B+D+2.5+ $\frac{W-2.54}{2}$ Standard:082=8.2 102=10.2 111=11.1 115=11.5 136=13.6	Insulator Material C=PA9T	Packing T=Tube P=Tube+CAP R=Tape & Reel+CAP	Series No. 01~99
------------------------------	---	---	------------------------------	--	---------------------



Item	Pin Length	W	E	B	Mating
Standard	8.20	7.50	3.34	3.00	2135
	10.20	7.50	3.34	5.00	2150
	11.10	7.50	3.34	5.90	2171 2185
	11.60	7.50	3.74	6.00	2171 2185
	13.60	7.50	3.74		
Alternate	13.60	7.50	3.74	8.00	1125-1204G1M136R1

REV	DATE	MODIFICATION DESCRIPTION	CHANGE	OPERATION	DRAW	DATE	SCALE	Fit	PART NO.
A2	2018/01/22	Modify P/N		X.X ±0.40	Ruipeng	2018/01/22	UNIT	mm	1125-12XXXXMXXXCXRX
A1	2012/10/31	Modify Drawing	-----	X.XX ±0.25	CHECK	DATE	SIZE	A4	TITLE:
A0	2012/05/28	NEW	-----	X.XXX ±0.15	APPROVE	DATE	SHEET	1/1	PH2.54 DUAL ROW SMT H=2.5
				Angle ± 3'			PROJ.		Customer NO.
				DIM TOL					

# WCON

Http: www.wcon.com

WCON-Dongguan Tel: +86 769 85358920 Fax: +86 769 85358915 E-mail: sales@wcon.com  
 WCON-Kunshan Tel: +86 512 57468408 Fax: +86 512 57468468 E-mail: salesks@wcon.com