

HSF

NOTES:
 Rated Current:3.0AMP.
 Contact Resistance:20mΩ Max.
 Withstand Voltage:1000V AC/DC
 Insulation Resistance:1000MΩ Min.
 Operation Temperature:-40°C to +105°C

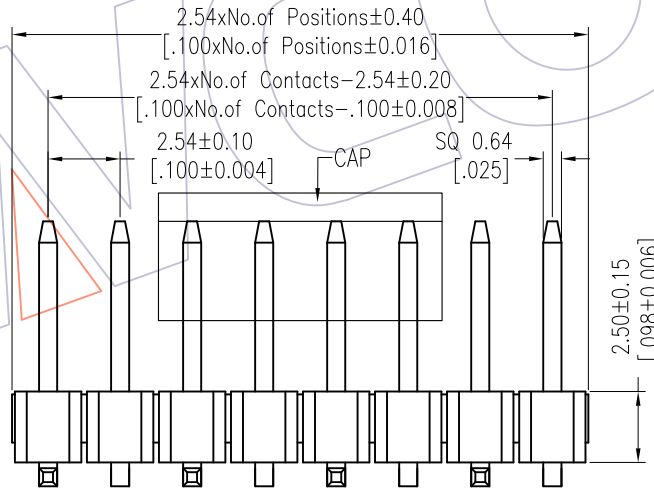
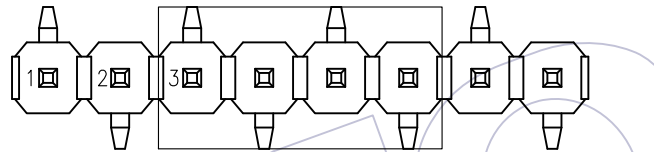
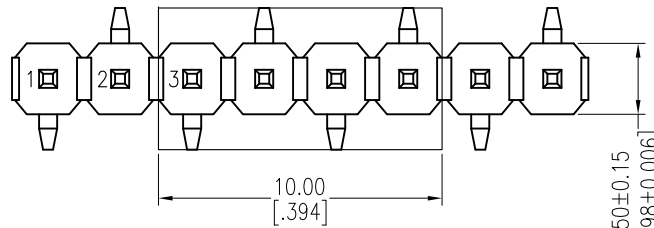
Contact Material:Brass
 Contact Plating:Au or Sn Over Ni
 Insulator Material:PA9T+33%G.F UL94V-0 BK

Ordering Information

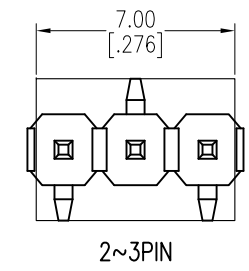
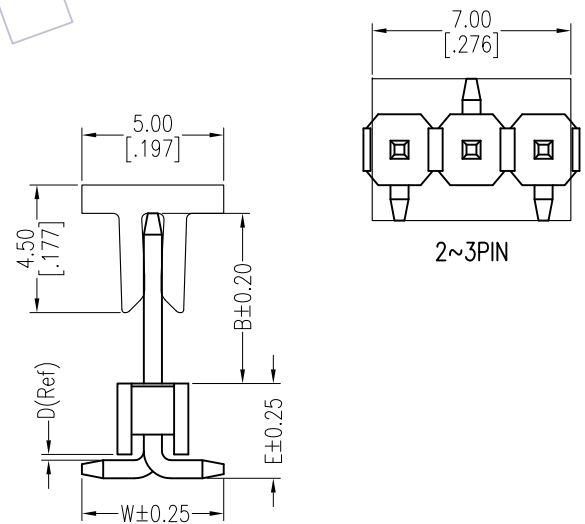
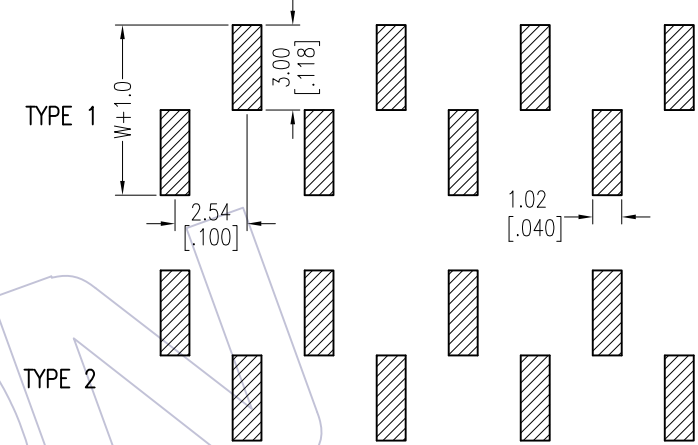
1125-11 XX XX M XXX C R XX Δ 1

No. of Pins	Contact Plating	Pin Length	Insulator Material	Packing	Series No.
02-40	G0=Gold Flash G3=10u"Gold G4=15u"Gold G5=30u"Gold S0=Gold Flash/Tin S3=10u"Gold/Tin S4=15u"Gold/Tin S5=30u"Gold/Tin SN=Tin SM=Matte Tin	$L=B+D+2.5+\frac{W}{2}$ Standard:082=8.2 102=10.2 111=11.1 115=11.5 136=13.6	C=PA9T	T=Tube P=Tube+CAP R=Tape & Reel+CAP	01-99

Item	Pin Length	W	E	B	Mating
Standard	8.20	5.00	3.34	3.00	2135
	10.20	5.00	3.34	5.00	2150
	11.10	5.00	3.34	5.90	2171 2185
	11.50	5.00	3.74	5.90	2171 2185
	13.60	5.00	3.74	8.00	
Alternate					



Recommended P.C.B Layout (Top Side)
 (PCB BOARD TOLERANCE±0.05)



REV	DATE	MODIFICATION DESCRIPTION	CHANGE	OPERATION	DRAW	DATE	SCALE	Fit	PART NO.
A1	2018/01/22	Modify P/N	Δ 1	x.X ±0.40	Ruipeng	2018/01/22	UNIT	mm	1125-11XXXXMXXXXCRXX
A0	2012/05/17	NEW	-----	x.XX ±0.25	CHECK	DATE	SIZE	A4	TITLE:
				x.XXX ±0.15	APPROVE	DATE	SHEET	1/1	PH2.54 SINGLE ROW SMT H=2.5
				Angle ± 3'			PROJ.	ϕ	Customer NO.
				DIM TOL					

WCON
 Http: www.wcon.com

WCON-Dongguan Tel: +86 769 85358920 Fax: +86 769 85358915 E-mail: sales@wcon.com	WCON-Kunshan Tel: +86 512 57468408 Fax: +86 512 57468468 E-mail: salesks@wcon.com
---	--