

REVISION RECORD

REV	ECN	DESCRIPTION	DRFT	DATE
-----	-----	-------------	------	------

NOTES1:

UL Standard

1. Rated voltage/current : 300V / 8A
2. Withstanding voltage : AC1600V/1Min.

IEC Standard

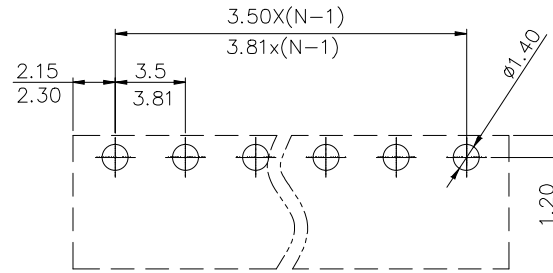
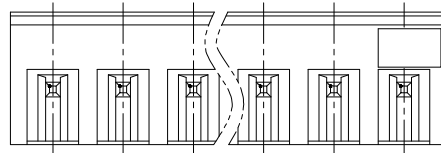
1. Pollution Degree	2
Overvoltage Category	II
Rate Impulse Voltage(KV)	2.5KV
Rate Voltage(V)	250V
Rate Current(A)	7A

NOTES2:

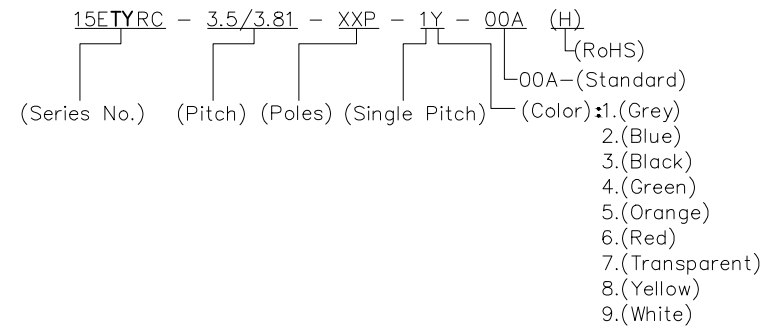
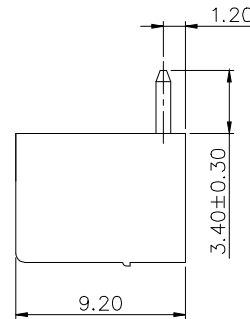
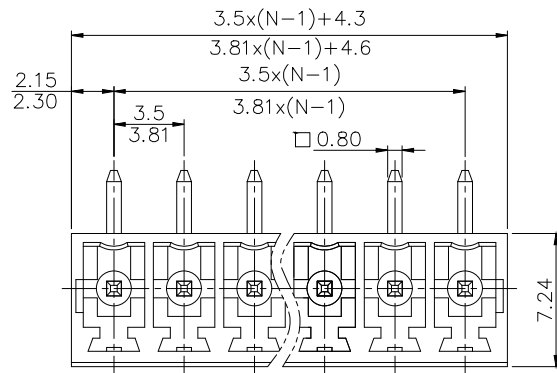
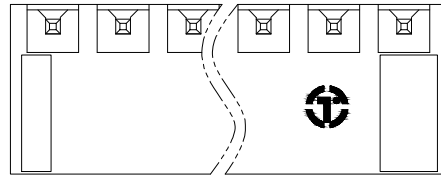
1. Dimension shall be interpreted per ASME Y14.5-2009
2. Pitch : 3.5/3.81mm, Poles : N=02~24P
3. Operating temperature: -40°C~+105°C
4. Undimensioned tolerances:

Pitch range in mm		Nominal dimension range in mm						-	∩	∠
To	Over	Over	Over	Over	Over	Over				
6	10	10	30	60	100	150				
TO	TO	TO	TO	TO	TO	TO				
6	10	24	30	60	100	150				
±0.15	±0.20	±0.30	±0.30	±0.50	±0.70	±1.00	±1.30		±2°	

5. RoHS Compliance



PCB LAYOUT



DETACHED LISTS	PART NO.:	拓宜(上海)工控电器设备有限公司			
	APPD:	NAME: 15ETYRC-3.5/3.81-XXP-1Y-00A(H)			
	CHKD:	TITLE: CUSTOMER DRAWING			
	DRFT:	REV	DO		
	DRAWING NO.:		SHEET	1/1	
THIRD ANGLE PROJECTION		DO NOT SCALE DRAWING	SCALE	1:1	