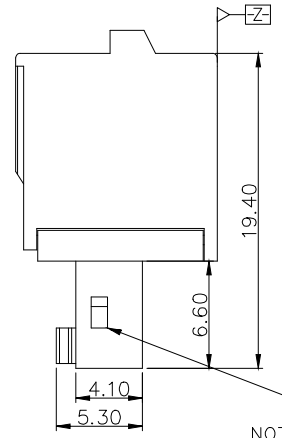
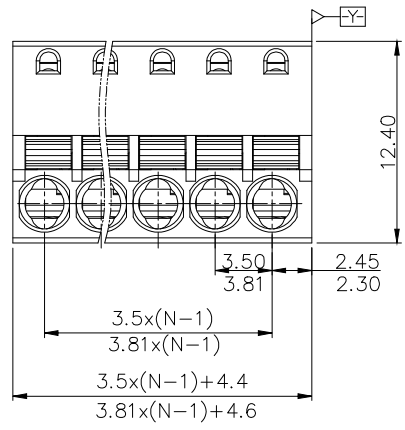
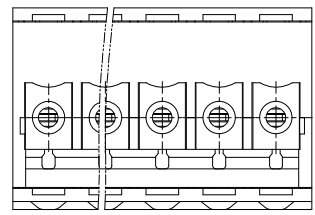
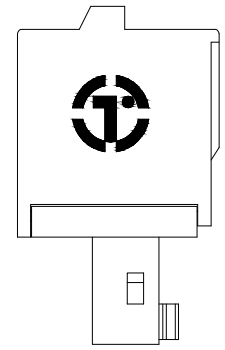
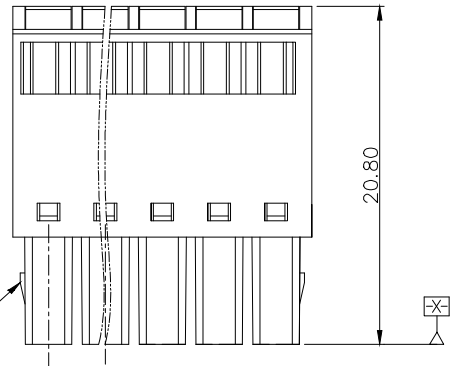


| REVISION RECORD |     |             |      |      |
|-----------------|-----|-------------|------|------|
| REV             | ECN | DESCRIPTION | DRFT | DATE |
|                 |     |             |      |      |

H  
G  
F  
E  
D  
C  
B  
A



NOTE: 2-6PWith drill hole,  
7-24Pwithout drill hole



NOTES1:

- UL Standard
- 1.Rated Voltage/Current : 300V / 8A
- 2.Withstanding Voltage : AC1600V/1Min.
- 3.Wire Range : 28~16AWG

IEC Standard

|                          |       |
|--------------------------|-------|
| 1. Pollution Degree      | 3     |
| Overvoltage Category     | II    |
| Rate Impulse Voltage(KV) | 2.5KV |
| Rate Voltage(V)          | 250V  |
| Rate Current(A)          | 12A   |

2.Wire Range : 0.2~1.5mm<sup>2</sup>

NOTES2:

- 1.Dimension shall be interpreted per ASME Y14.5-2009
- 2.Pitch : 3.50/3.81mm, Poles : N=2-24P
- 3.Stripping length : 8.0mm
- 4.Operating temperature:-40°C~+105°C
- 5.Undimensioned Tolerances:

| Pitch range in mm |         | Nominal dimension range in mm |         |          |          | 0.1/10 |       |     |
|-------------------|---------|-------------------------------|---------|----------|----------|--------|-------|-----|
| Over 6            | Over 10 | Over 30                       | Over 60 | Over 100 | Over 150 | <      |       |     |
| To 10             | To 24   | To 30                         | To 60   | To 100   | To 150   |        |       |     |
| ±0.15             | ±0.20   | ±0.30                         | ±0.30   | ±0.50    | ±0.70    | ±1.00  | ±1.30 | ±2' |

6.RoHS Compliance

15ET YKD - 3.5/3.81 - XXP - 1Y - 00A (H)  
 (Series No.) (Pitch) (Poles) (Single Pitch) (Color)  
 (RoHS)  
 00A-(Standard)  
 1.(Grey)  
 2.(Blue)  
 3.(Black)  
 4.(Green)  
 5.(Orange)  
 6.(Red)  
 7.(Transparent)  
 8.(Yellow)  
 9.(White)

|                        |           |                    |                                 |           |
|------------------------|-----------|--------------------|---------------------------------|-----------|
| DETACHED LISTS         | PART NO.: | 拓宜 (上海) 工控电器设备有限公司 |                                 |           |
|                        | APPD: /   | NAME:              | 15ET YKD-3.5/3.81-XXP-1Y-00A(H) |           |
|                        | CHKD: /   | TITLE:             | CUSTOMER DRAWING                | REV DO    |
|                        | DRFT: /   | DRAWING NO.:       | /                               | SHEET 1/1 |
| THIRD ANGLE PROJECTION |           | MM (INCH)          | DO NOT SCALE DRAWING            | SCALE 1:1 |