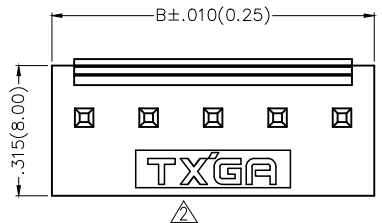
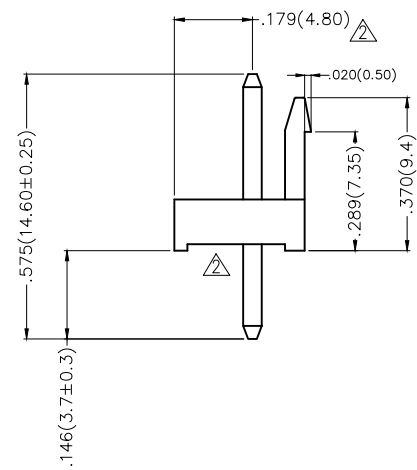
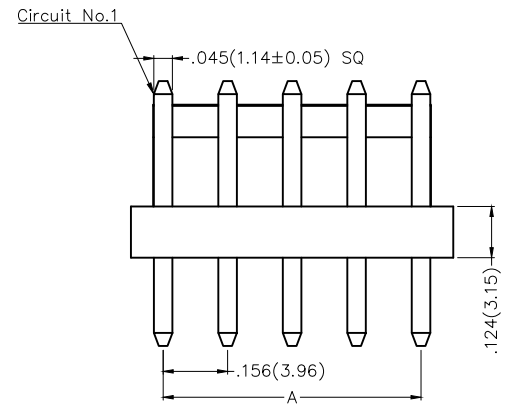


REV	LOCATIONS	DESCRIPTION	DATE	REVISER	APPD
1	△	Dimension $\phi.065(\phi 1.65)$ Change to $\phi.071(1.80)$	20150919	CHERRY	FAN
2	△	Structure change	20200103	CHERRY	FRANK



Electrical
 Current Rating: 7A AC(rms)/DC
 Voltage Rating: 250V AC(rms)/DC
 Contact Resistance: 10 m Ω Max
 Insulation Resistance: 1000 M Ω MIN
 Withstanding Voltage: 1500V AC r.m.s
 Temperature Range—Operating: -40°C~+85°C

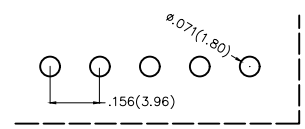
Material and Plating
 Housing: PA6T(UL 94V-0)/PA66(UL 94V-0)
 Contact Pin: Brass
 Plating: Tin Plated



Ordering Information

FWF 396 01 — S XX S 2 2 W1 B
 1 2 3 4 5 6 7 8 9 10

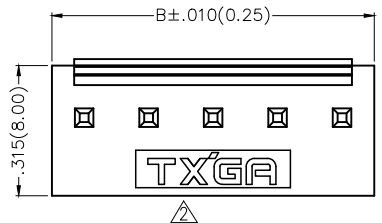
1 Category FWF—Wafer	2 Series Number 396—Pitch 3.96mm	3 Distinction No. 01	4 Row Option S—Single Row	5 Circuits XX	6 Entry Angle S—180° Vertical
7 Plating 2—Tin Plated	8 Material—Resin 2—PA66	9 Color—Resin W1—White K6—Black R1—Red	10 Packaging B—PE Bag		



Recommended P.C.Board Layout

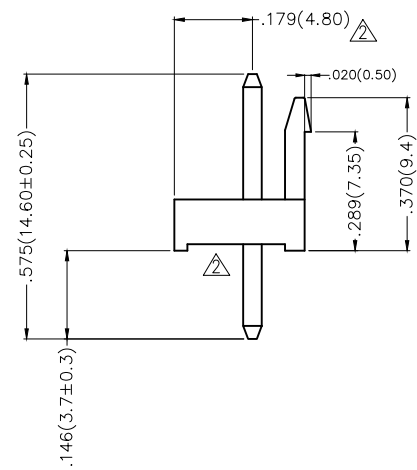
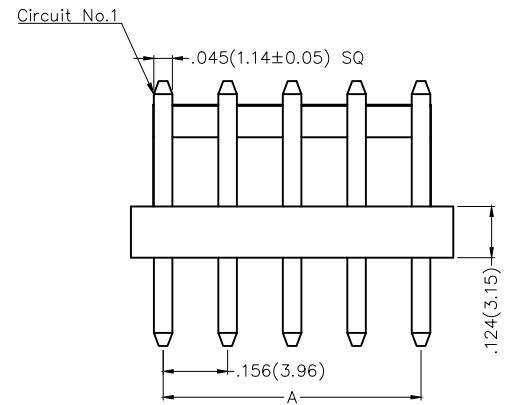
 THIRD ANGLE PROJECTION	GENERAL TOLERANCES (UNLESS SPECIFIED)		APPROVE BY FRANK	DATE 19/SEP/15	PART NO. FWF39601—SXXS22XXB	ITEM NO. FWF39601	 Leader Of Industry	
	X.±.012(0.30)	X.'±5'	CHECKED BY CHERRY	DATE 19/SEP/15	TITLE Wire to Board (Wafer) Pitch 3.96mm 180° Vertical (DIP)			REV 1
	DESIGN UNITS Inch (metric)	X.X±.008(0.20)	X'±2'	DRAWN BY JACOB	DATE 19/SEP/15	THIS DRAWING CONTAINS INFORMATION THAT IS PROPRIETARY TO TXGA INDUSTRIAL ELECTRONICS(S.Z)CO.,LTD AND SHOULD NOT BE USED WITHOUT WRITTEN PERMISSION		
SCALE 5:1	SIZE A4	X.XX±.006(0.15)	X.XX±1'					
		X.XXX±.004(0.10)	.XXX±0.5'					

REV	LOCATIONS	DESCRIPTION	DATE	REVISER	APPD
1	△	Dimension $\phi.065(\phi 1.65)$ Change to $\phi.071(1.80)$	20150919	CHERRY	FAN
2	△	Structure change	20200103	CHERRY	FRANK



Electrical
 Current Rating: 7A AC(rms)/DC
 Voltage Rating: 250V AC(rms)/DC
 Contact Resistance: 10 m Ω Max
 Insulation Resistance: 1000 M Ω MIN
 Withstanding Voltage: 1500V AC r.m.s
 Temperature Range—Operating: -40°C~+85°C

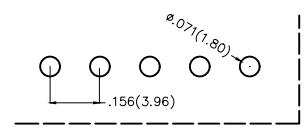
Material and Plating
 Housing: PA6T(UL 94V-0)/PA66(UL 94V-0)
 Contact Pin: Brass
 Plating: Tin Plated



Ordering Information

FWF 396 01 — S XX S 2 X XX B
 1 2 3 4 5 6 7 8 9 10

1 Category FWF—Wafer	2 Series Number 396—Pitch 3.96mm	3 Distinction No. 01	4 Row Option S—Single Row	5 Circuits XX	6 Entry Angle S—180° Vertical
7 Plating 2—Tin Plated	8 Material—Resin 2—PA66 4—PA6T	9 Color—Resin W1—White W5—White	10 Packaging B—PE Bag		

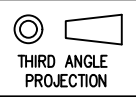



Recommended P.C.Board Layout

 THIRD ANGLE PROJECTION	GENERAL TOLERANCES (UNLESS SPECIFIED)		APPROVE BY FRANK	DATE 19/SEP/15	PART NO. FWF39601—SXXS2XXXB	ITEM NO. FWF39601	 Leader Of Industry		
	DESIGN UNITS Inch (metric)	X.±.012(0.30) X.X±.008(0.20) X.XX±.006(0.15) X.XXX±.004(0.10)	X.'±5' .X'±2' .XX'±1' .XXX'±0.5'	CHECKED BY CHERRY	DATE 19/SEP/15	TITLE Wire to Board (Wafer) Pitch 3.96mm 180° Vertical (DIP)		REV 1	SHEET NO. 1/2
	SCALE 5:1	SIZE A4		DRAWN BY JACOB	DATE 19/SEP/15	THIS DRAWING CONTAINS INFORMATION THAT IS PROPRIETARY TO TXGA INDUSTRIAL ELECTRONICS(S.Z)CO.,LTD AND SHOULD NOT BE USED WITHOUT WRITTEN PERMISSION			

REV	LOCATIONS	DESCRIPTION	DATE	REVISER	APPD
1	△	Dimension $\phi.065(\phi 1.65)$ Change to $\phi.071(1.80)$	20150919	CHERRY	FAN

Material and Plating : Housing PA66 UL94V-0 , Tin-Plated.				Material and Plating : Housing PA6T UL94V-0 , Tin Plated.			
Circuits (n)	Part No.	Dimensions(in/mm)		Circuits (n)	Part No.	Dimensions(in/mm)	
		A	B			A	B
2	FWF39601-S02S22W1B	.156(3.96)	.311(7.92)	2	FWF39601-S02S24W5B	.156(3.96)	.311(7.92)
3	FWF39601-S03S22W1B	.311(7.92)	.468(11.88)	3	FWF39601-S03S24W5B	.311(7.92)	.468(11.88)
4	FWF39601-S04S22W1B	.468(11.88)	.624(15.84)	4	FWF39601-S04S24W5B	.468(11.88)	.624(15.84)
5	FWF39601-S05S22W1B	.624(15.84)	.780(19.80)	5	FWF39601-S05S24W5B	.624(15.84)	.780(19.80)
6	FWF39601-S06S22W1B	.780(19.80)	.935(23.76)	6	FWF39601-S06S24W5B	.780(19.80)	.935(23.76)
7	FWF39601-S07S22W1B	.935(23.76)	1.091(27.72)	7	FWF39601-S07S24W5B	.935(23.76)	1.091(27.72)
8	FWF39601-S08S22W1B	1.091(27.72)	1.247(31.68)	8	FWF39601-S08S24W5B	1.091(27.72)	1.247(31.68)
9	FWF39601-S09S22W1B	1.247(31.68)	1.403(35.64)	9	FWF39601-S09S24W5B	1.247(31.68)	1.403(35.64)
10	FWF39601-S10S22W1B	1.403(35.64)	1.559(39.60)	10	FWF39601-S10S24W5B	1.403(35.64)	1.559(39.60)
11	FWF39601-S11S22W1B	1.559(39.60)	1.715(43.56)	11	FWF39601-S11S24W5B	1.559(39.60)	1.715(43.56)
12	FWF39601-S12S22W1B	1.715(43.56)	1.871(47.52)	12	FWF39601-S12S24W5B	1.715(43.56)	1.871(47.52)

 THIRD ANGLE PROJECTION	GENERAL TOLERANCES (UNLESS SPECIFIED)		APPROVE BY FRANK	DATE 19/SEP/15	PART NO. FWF39601-SXXS2XXXB	ITEM NO. FWF39601	 Leader Of Industry	
	DESIGN UNITS Inch (metric)	X. \pm .012(0.30)	X. \pm 5'	CHECKED BY CHERRY	DATE 19/SEP/15	TITLE Wire to Board (Wafer) Pitch 3.96mm 180° Vertical (DIP)		REV 2
SCALE 5:1	SIZE A4	X.XX \pm .006(0.15)	X.X \pm 2'	DRAWN BY JACOB	DATE 19/SEP/15	THIS DRAWING CONTAINS INFORMATION THAT IS PROPRIETARY TO TXGA INDUSTRIAL ELECTRONICS(S.Z)CO.,LTD AND SHOULD NOT BE USED WITHOUT WRITTEN PERMISSION		