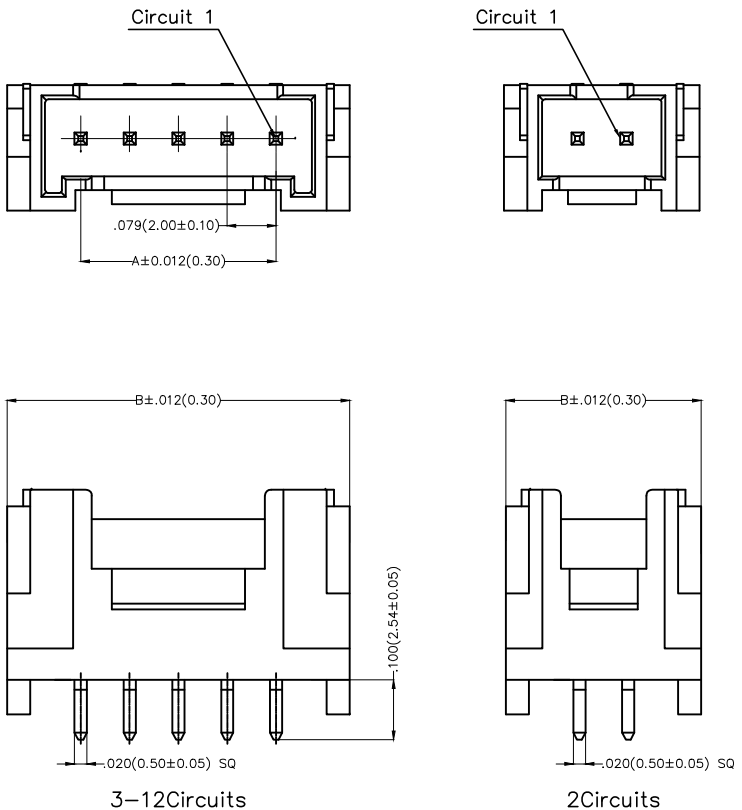


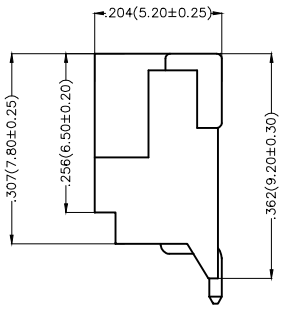
REV	LOCATIONS	DESCRIPTION	DATE	REVISER	APPD
1		MPQ: Change 800 pcs into 1,000 pcs / reel	28/FEB/20	KATE	CERRY

A  
B  
C  
D  
E  
F

A  
B  
C  
D  
E  
F



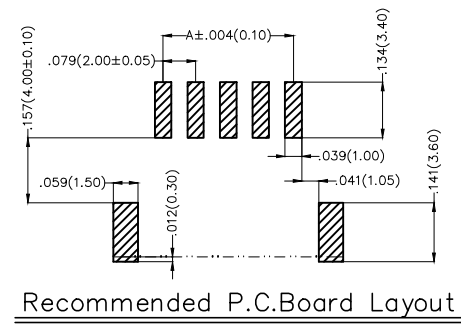
Electrical  
 Current Rating: 2.0A AC(rms)/DC  
 Voltage Rating: 100V AC(rms)/DC  
 Contact Resistance: 10 mΩ Max  
 Insulation Resistance: 1000 MΩ MIN  
 Withstanding Voltage: 800V AC r.m.s  
 Temperature Range—Operating: -25°C ~ +85°C  
 Material and Plating  
 Housing: PA6T( UL 94V-0)  
 Contact Pin: Brass  
 Plating: Tin Plated



Ordering Information

FWF 200 19 — S XX B 2 4 W5 M  
 1 2 3 4 5 6 7 8 9 10

1   Category FWF—Wafer	2   Series Number 200—Pitch 2.0mm	3   Distinction No. 19	4   Row Option S—Single Row	5   Circuits XX	6   Entry Angle B—90° Angle
7   Plating 2—Tin Plated	8   Material—Resin 4—PA6T	9   Color—Resin W5—Natural	10   Packaging M—Reel		



 THIRD ANGLE PROJECTION	GENERAL TOLERANCES (UNLESS SPECIFIED)		APPROVE BY FRANK	DATE 18/JUN/13	PART NO. FWF20019—SXXB24W5M	ITEM NO. FWF20019	 Leader Of Industry	
	DESIGN UNITS Inch (metric)	X.±.012(0.30) X.X±.008(0.20) X.XX±.006(0.15) X.XXX±.004(0.10)	X.±5' .X'±2' .XX'±1' .XXX'±0.5'	CHECKED BY CHERRY	DATE 18/JUN/13	TITLE Wire to Board (Wafer) Pitch 2.0mm 90° Angled (SMT)		REV 1
SCALE 5:1	SIZE A4		DRAWN BY KEVIN	DATE 18/JUN/13	THIS DRAWING CONTAINS INFORMATION THAT IS PROPRIETARY TO TXGA INDUSTRIAL ELECTRONICS(S.Z)CO.,LTD AND SHOULD NOT BE USED WITHOUT WRITTEN PERMISSION			

1 2 3 4 5 6 7 8

REV	LOCATIONS	DESCRIPTION	DATE	REVISER	APPD

A

A

B

B

C

C

D

D



E

E

F

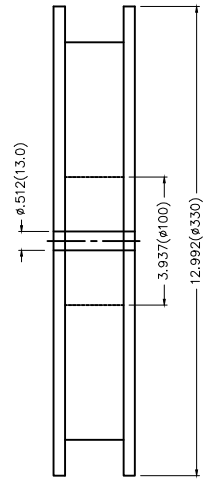
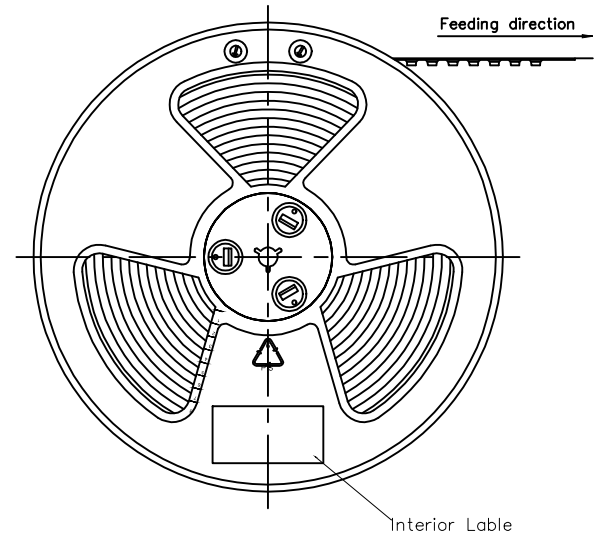
F

Circuits (n)	Part No.	Dimensions(in/mm)	
		A	B
2	FWF20019-S02B24W5M	.079(2.00)	.315(8.00)
3	FWF20019-S03B24W5M	.157(4.00)	.394(10.00)
4	FWF20019-S04B24W5M	.236(6.00)	.472(12.00)
5	FWF20019-S05B24W5M	.315(8.00)	.551(14.00)
6	FWF20019-S06B24W5M	.394(10.00)	.630(16.00)
7	FWF20019-S07B24W5M	.472(12.00)	.709(18.00)
8	FWF20019-S08B24W5M	.551(14.00)	.787(20.00)
9	FWF20019-S09B24W5M	.630(16.00)	.866(22.00)
10	FWF20019-S10B24W5M	.709(18.00)	.945(24.00)
11	FWF20019-S11B24W5M	.787(20.00)	1.024(26.00)
12	FWF20019-S12B24W5M	.866(22.00)	1.102(28.00)

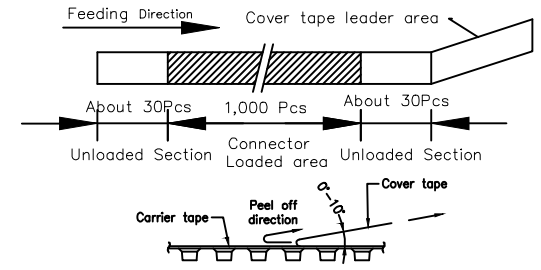
 THIRD ANGLE PROJECTION	GENERAL TOLERANCES (UNLESS SPECIFIED)		APPROVE BY FRANK	DATE 18/JUN/13	PART NO. FWF20019-SXXB24W5M	ITEM NO. FWF20019	 Leader Of Industry	
	DESIGN UNITS Inch (metric)	X.±.012(0.30) X.X±.008(0.20)	X.±5' .X'±2'	CHECKED BY CHERRY	DATE 18/JUN/13	TITLE Wire to Board (Wafer) Pitch 2.0mm 90° Angl (SMT)		REV 1
	SCALE 5:1	SIZE A4	X.XX±.006(0.15) X.XXX±.004(0.10)	DRAWN BY KEVIN	DATE 18/JUN/13	THIS DRAWING CONTAINS INFORMATION THAT IS PROPRIETARY TO TXGA INDUSTRIAL ELECTRONICS(S.Z)CO.,LTD AND SHOULD NOT BE USED WITHOUT WRITTEN PERMISSION		

1 2 3 4 5 6 7 8

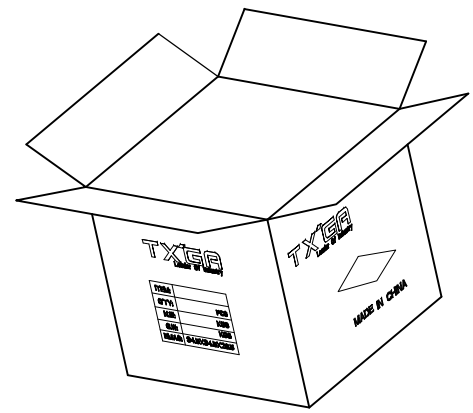
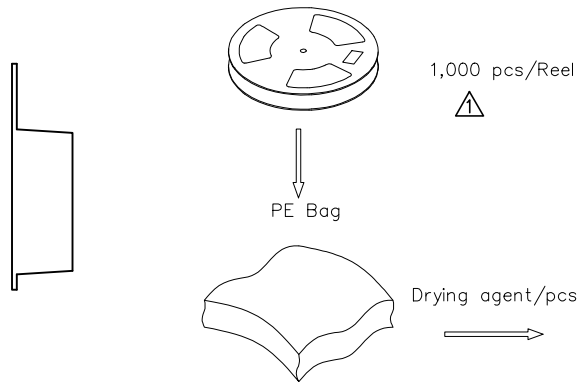
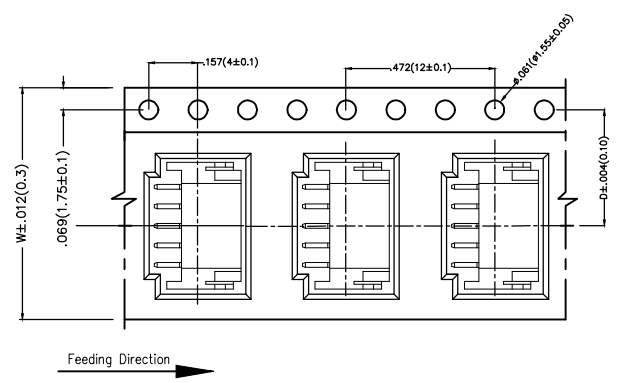
REV	LOCATIONS	DESCRIPTION	DATE	REVISER	APPD



- Note:
- 10 sprocket hole cumulative tolerance  $\pm 0.2$
  - Carrier camber is within 1.0mm in 100mm
  - Material: White Conductive polystyrene Alloy 100% recyclable
  - All dimensions meet EIA-481-3 requirements
  - Component load per 13" reel: 1,000 pcs



Circuits (n)	Dimensions(in/mm)		Circuits (n)	Dimensions(in/mm)	
	D	W		D	W
2	.295(7.50)	.630(16.00)	8	.559(14.20)	1.260(32.00)
3	.295(7.50)	.630(16.00)	9	.559(14.20)	1.260(32.00)
4	.453(11.50)	.945(24.00)	10	.559(14.20)	1.260(32.00)
5	.453(11.50)	.945(24.00)	11	.795(20.20)	1.732(44.00)
6	.453(11.50)	.945(24.00)	12	.795(20.20)	1.732(44.00)
7	.559(14.20)	1.260(32.00)			



 THIRD ANGLE PROJECTION DESIGN UNITS Inch (metric) SCALE 5:1 SIZE A4	GENERAL TOLERANCES (UNLESS SPECIFIED) X.±.012(0.30) X'.±5' X.X±.008(0.20) X'±2' X.XX±.006(0.15) .XX'±1" X.XXX±.004(0.10) .XXX'±0.5'		APPROVE BY FRANK CHECKED BY CHERRY DRAWN BY KEVIN	DATE 18/JUN/13 DATE 18/JUN/13 DATE 18/JUN/13	PART NO. FWF20019-SXXB24W5M TITLE Wire to Board (Wafer) Pitch 2.0mm 90° Angled (SMT)	ITEM NO. FWF20019 THIS DRAWING CONTAINS INFORMATION THAT IS PROPRIETARY TO TXGA INDUSTRIAL ELECTRONICS(S.Z)CO.,LTD AND SHOULD NOT BE USED WITHOUT WRITTEN PERMISSION	 Leader Of Industry REV 1 SHEET NO. 3/3
---	---	--	--	---	--	--	---