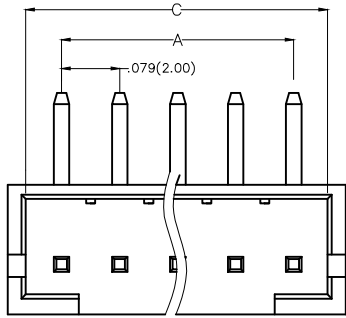


REV	LOCATIONS	DESCRIPTION	DATE	REVISER	APPD

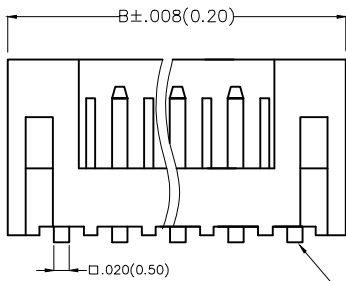


**Electrical**

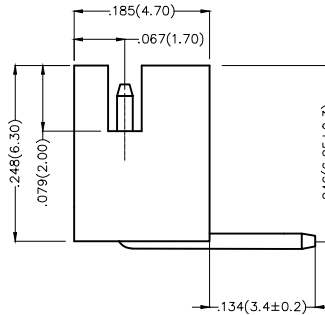
Current Rating: 2.0A AC(rms)/DC  
Voltage Rating: 100V AC(rms)/DC  
Contact Resistance: 10 mΩ Max  
Insulation Resistance: 1000 MΩ MIN  
Withstanding Voltage: 800V AC r.m.s  
Temperature Range-Operating: -25°C ~ +85°C

**Material and Plating**

Housing: PA66( UL 94V-2)/PA6T( UL 94V-0)  
Contact Pin: Brass  
Plating: Full gold/ Full tin



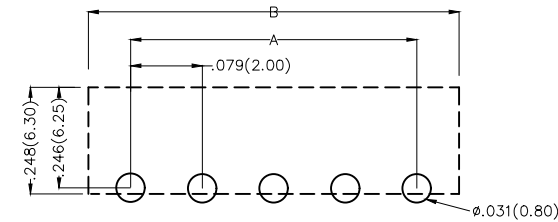
Circuit No.1



**Ordering Information**

FWF 200 16 — S XX B X 2 W1 B  
1 2 3 4 5 6 7 8 9 10

1	Category FWF-Wafer	2	Series Number 200-Pitch2.0mm	3	Distinction No. 16	4	Row Option Single Row	5	Circuits XX	6	Entry Angle B-90° Angle
7	Plating 1-Gold Plated 2-Tin Plated	8	Material-Resin 2-PA66	9	Color-Resin W1-White	10	Packaging B-PE Bag				



Recommended P.C.Board Layout

 THIRD ANGLE PROJECTION	GENERAL TOLERANCES (UNLESS SPECIFIED)		APPROVE BY FRANK	DATE 18/JUN/13	PART NO. FWF20016-SXXBX2W1B	ITEM NO. FWF20016	 Leader Of Industry	
	DESIGN UNITS Inch (metric)	X.±.012(0.30) X.X±.008(0.20) X.XX±.006(0.15) X.XXX±.004(0.10)	.X'±5' .X'±2' .XX'±1' .XXX'±0.5'	CHECKED BY JACOB	DATE 18/JUN/13	TITLE Wire to Board (Wafer) Pitch 2.0mm 90° Angled (DIP)		REV 0
SCALE 5:1	SIZE A4		DRAWN BY CHERRY	DATE 18/JUN/13	THIS DRAWING CONTAINS INFORMATION THAT IS PROPRIETARY TO TXGA INDUSTRIAL ELECTRONICS(S.Z)CO.,LTD AND SHOULD NOT BE USED WITHOUT WRITTEN PERMISSION			

1 2 3 4 5 6 7 8

REV	LOCATIONS	DESCRIPTION	DATE	REVISER	APPD

A

B



C

D

E

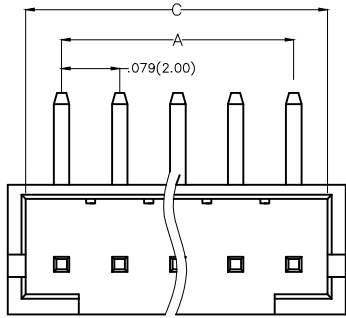
F

Circuits (n)	Part No.	Dimensions(in/mm)			Circuits (n)	Part No.	Dimensions(in/mm)		
		A	B	C			A	B	C
2	FWF20016-S02B22W1B	.079(2.00)	.232(5.90)	.197(5.00)	2	FWF20016-S02B12W1B	.079(2.00)	.232(5.90)	.197(5.00)
3	FWF20016-S03B22W1B	.157(4.00)	.311(7.90)	.157(7.00)	3	FWF20016-S03B12W1B	.157(4.00)	.311(7.90)	.157(7.00)
4	FWF20016-S04B22W1B	.236(6.00)	.390(9.90)	.354(9.00)	4	FWF20016-S04B12W1B	.236(6.00)	.390(9.90)	.354(9.00)
5	FWF20016-S05B22W1B	.315(8.00)	.469(11.90)	.433(11.00)	5	FWF20016-S05B12W1B	.315(8.00)	.469(11.90)	.433(11.00)
6	FWF20016-S06B22W1B	.394(10.00)	.547(13.90)	.512(13.00)	6	FWF20016-S06B12W1B	.394(10.00)	.547(13.90)	.512(13.00)
7	FWF20016-S07B22W1B	.472(12.00)	.626(15.90)	.591(15.00)	7	FWF20016-S07B12W1B	.472(12.00)	.626(15.90)	.591(15.00)
8	FWF20016-S08B22W1B	.551(14.00)	.705(17.90)	.670(17.00)	8	FWF20016-S08B12W1B	.551(14.00)	.705(17.90)	.670(17.00)
9	FWF20016-S09B22W1B	.630(16.00)	.783(19.90)	.748(19.00)	9	FWF20016-S09B12W1B	.630(16.00)	.783(19.90)	.748(19.00)
10	FWF20016-S10B22W1B	.709(18.00)	.862(21.90)	.827(21.00)	10	FWF20016-S10B12W1B	.709(18.00)	.862(21.90)	.827(21.00)
11	FWF20016-S11B22W1B	.787(20.00)	.941(23.90)	.906(23.00)	11	FWF20016-S11B12W1B	.787(20.00)	.941(23.90)	.906(23.00)
12	FWF20016-S12B22W1B	.866(22.00)	1.020(25.90)	.984(25.00)	12	FWF20016-S12B12W1B	.866(22.00)	1.020(25.90)	.984(25.00)
13	FWF20016-S13B22W1B	.945(24.00)	1.098(27.90)	1.063(27.00)	13	FWF20016-S13B12W1B	.945(24.00)	1.098(27.90)	1.063(27.00)
14	FWF20016-S14B22W1B	1.024(26.00)	1.177(29.90)	1.142(29.00)	14	FWF20016-S14B12W1B	1.024(26.00)	1.177(29.90)	1.142(29.00)
15	FWF20016-S15B22W1B	1.102(28.00)	1.256(31.90)	1.220(31.00)	15	FWF20016-S15B12W1B	1.102(28.00)	1.256(31.90)	1.220(31.00)
16	FWF20016-S16B22W1B	1.181(30.00)	1.335(33.90)	1.299(33.00)	16	FWF20016-S16B12W1B	1.181(30.00)	1.335(33.90)	1.299(33.00)

 <b>THIRD ANGLE PROJECTION</b>	<b>GENERAL TOLERANCES (UNLESS SPECIFIED)</b>		<b>APPROVE BY</b> FRANK	<b>DATE</b> 18/JUN/13	<b>PART NO.</b> FWF20016-SXXBX2W1B	<b>ITEM NO.</b> FWF20016	 <b>TXGA</b> Leader Of Industry	
	X.±.012(0.30)	X.±5'	<b>CHECKED BY</b> JACOB	<b>DATE</b> 18/JUN/13	<b>TITLE</b> Wire to Board (Wafer) Pitch 2.0mm 90° Angled (DIP)	<b>REV 0</b>		<b>SHEET NO. 2/2</b>
	<b>DESIGN UNITS</b> Inch (metric)	X.X±.008(0.20)	X.±2'	<b>DRAWN BY</b> CHERRY	<b>DATE</b> 18/JUN/13	THIS DRAWING CONTAINS INFORMATION THAT IS PROPRIETARY TO TXGA INDUSTRIAL ELECTRONICS(S.Z)CO.,LTD AND SHOULD NOT BE USED WITHOUT WRITTEN PERMISSION		
	<b>SCALE</b> 5:1	<b>SIZE</b> A4	X.XX±.006(0.15)	X.X±1'	X.XXX±.004(0.10)	X.XX±0.5'		

1 2 3 4 5 6 7 8

REV	LOCATIONS	DESCRIPTION	DATE	REVISER	APPD
1	△	Size change	20/SEP/19	KATE	CHERRY

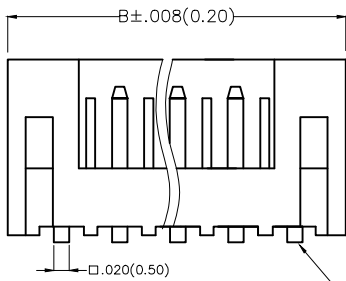


**Electrical**

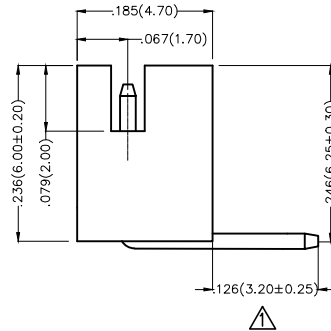
Current Rating: 2.0A AC(rms)/DC  
Voltage Rating: 100V AC(rms)/DC  
Contact Resistance: 10 mΩ Max  
Insulation Resistance: 1000 MΩ MIN  
Withstanding Voltage: 800V AC r.m.s  
Temperature Range-Operating: -25°C ~ +85°C

**Material and Plating**

Housing: PA66( UL 94V-2)/PA6T( UL 94V-0)  
Contact Pin: Brass  
Plating: Full gold/ Full tin



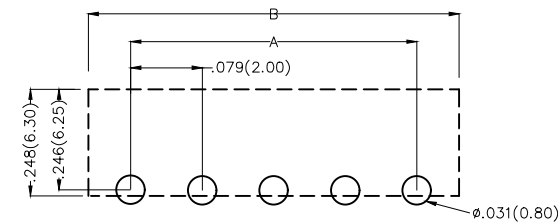
Circuit No.1



**Ordering Information**

FWF 200 16 — S XX B X 4 W5 B  
1 2 3 4 5 6 7 8 9 10

1   Category FWF-Wafer	2   Series Number 200-Pitch2.0mm	3   Distinction No. 16	4   Row Option Single Row	5   Circuits XX	6   Entry Angle B-90° Angle
7   Plating 1-Gold Plated 2-Tin Plated	8   Material-Resin 4-PA6T	9   Color-Resin W5-White	10   Packaging B-PE Bag		



Recommended P.C.Board Layout

 THIRD ANGLE PROJECTION	GENERAL TOLERANCES (UNLESS SPECIFIED)		APPROVE BY FRANK	DATE 18/JUN/13	PART NO. FWF20016-SXXBX4W5B	ITEM NO. FWF20016	 Leader Of Industry
	X.±.012(0.30)	X.±5'	CHECKED BY JACOB	DATE 18/JUN/13	TITLE Wire to Board (Wafer) Pitch 2.0mm 90° Angled (DIP)		
DESIGN UNITS Inch (metric)	X.X±.008(0.20)	.X'±2'	DRAWN BY CHERRY	DATE 18/JUN/13	THIS DRAWING CONTAINS INFORMATION THAT IS PROPRIETARY TO TXGA INDUSTRIAL ELECTRONICS(S.Z)CO.,LTD AND SHOULD NOT BE USED WITHOUT WRITTEN PERMISSION		
SCALE 5:1	SIZE A4	X.XX±.006(0.15)					
		X.XXX±.004(0.10)					

1 2 3 4 5 6 7 8

REV	LOCATIONS	DESCRIPTION	DATE	REVISER	APPD

A

B

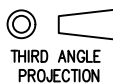

C

D

E

F

Circuits (n)	Part No.	Dimensions(in/mm)			Circuits (n)	Part No.	Dimensions(in/mm)		
		A	B	C			A	B	C
2	FWF20016-S02B24W5B	.079(2.00)	.232(5.90)	.197(5.00)	2	FWF20016-S02B14W5B	.079(2.00)	.232(5.90)	.197(5.00)
3	FWF20016-S03B24W5B	.157(4.00)	.311(7.90)	.157(7.00)	3	FWF20016-S03B14W5B	.157(4.00)	.311(7.90)	.157(7.00)
4	FWF20016-S04B24W5B	.236(6.00)	.390(9.90)	.354(9.00)	4	FWF20016-S04B14W5B	.236(6.00)	.390(9.90)	.354(9.00)
5	FWF20016-S05B24W5B	.315(8.00)	.469(11.90)	.433(11.00)	5	FWF20016-S05B14W5B	.315(8.00)	.469(11.90)	.433(11.00)
6	FWF20016-S06B24W5B	.394(10.00)	.547(13.90)	.512(13.00)	6	FWF20016-S06B14W5B	.394(10.00)	.547(13.90)	.512(13.00)
7	FWF20016-S07B24W5B	.472(12.00)	.626(15.90)	.591(15.00)	7	FWF20016-S07B14W5B	.472(12.00)	.626(15.90)	.591(15.00)
8	FWF20016-S08B24W5B	.551(14.00)	.705(17.90)	.670(17.00)	8	FWF20016-S08B14W5B	.551(14.00)	.705(17.90)	.670(17.00)
9	FWF20016-S09B24W5B	.630(16.00)	.783(19.90)	.748(19.00)	9	FWF20016-S09B14W5B	.630(16.00)	.783(19.90)	.748(19.00)
10	FWF20016-S10B24W5B	.709(18.00)	.862(21.90)	.827(21.00)	10	FWF20016-S10B14W5B	.709(18.00)	.862(21.90)	.827(21.00)
11	FWF20016-S11B24W5B	.787(20.00)	.941(23.90)	.906(23.00)	11	FWF20016-S11B14W5B	.787(20.00)	.941(23.90)	.906(23.00)
12	FWF20016-S12B24W5B	.866(22.00)	1.020(25.90)	.984(25.00)	12	FWF20016-S12B14W5B	.866(22.00)	1.020(25.90)	.984(25.00)
13	FWF20016-S13B24W5B	.945(24.00)	1.098(27.90)	1.063(27.00)	13	FWF20016-S13B14W5B	.945(24.00)	1.098(27.90)	1.063(27.00)
14	FWF20016-S14B24W5B	1.024(26.00)	1.177(29.90)	1.142(29.00)	14	FWF20016-S14B14W5B	1.024(26.00)	1.177(29.90)	1.142(29.00)
15	FWF20016-S15B24W5B	1.102(28.00)	1.256(31.90)	1.220(31.00)	15	FWF20016-S15B14W5B	1.102(28.00)	1.256(31.90)	1.220(31.00)
16	FWF20016-S16B24W5B	1.181(30.00)	1.335(33.90)	1.299(33.00)	16	FWF20016-S16B14W5B	1.181(30.00)	1.335(33.90)	1.299(33.00)

 THIRD ANGLE PROJECTION	GENERAL TOLERANCES (UNLESS SPECIFIED)		APPROVE BY FRANK	DATE 18/JUN/13	PART NO. FWF20016-SXXBX4W5B	ITEM NO. FWF20016	 Leader Of Industry	
	X.±.012(0.30)	X.±5'	CHECKED BY JACOB	DATE 18/JUN/13	TITLE Wire to Board (Wafer) Pitch 2.0mm 90° Angled (DIP)			REV 1
	DESIGN UNITS Inch (metric)	X.X±.008(0.20)	.X'±2'	DRAWN BY CHERRY	DATE 18/JUN/13	THIS DRAWING CONTAINS INFORMATION THAT IS PROPRIETARY TO TXGA INDUSTRIAL ELECTRONICS(S.Z)CO.,LTD AND SHOULD NOT BE USED WITHOUT WRITTEN PERMISSION		
	SCALE 5:1	SIZE A4	X.XX±.006(0.15)	.XX'±1'	X.XXX±.004(0.10)	.XXX'±0.5'		

1 2 3 4 5 6 7 8