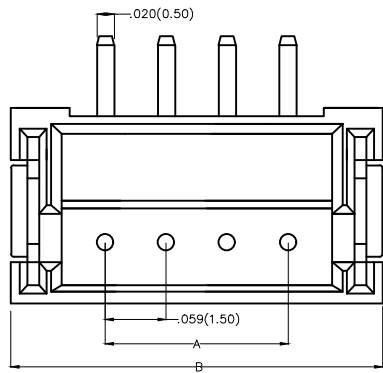
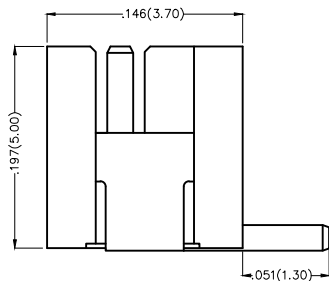
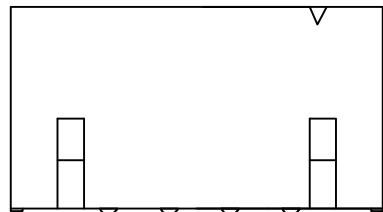


REV	LOCATIONS	DESCRIPTION	DATE	REVISER	APPD



Electrical
 Current Rating: 1.0A AC(rms)/DC
 Voltage Rating: 50V AC(rms)/DC
 Contact Resistance: 20 mΩ Max
 Insulation Resistance: 500 MΩ MIN
 Withstanding Voltage: 500V AC r.m.s
 Temperature Range—Operating: -25°C~+85°C

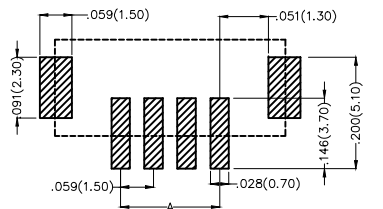
Material and Plating
 Housing: PA9T(UL 94V-0)
 Contact Pin: Brass
 Plating: Tin Plated



Ordering Information

FWF 150 05 — S XX S 2 4 W5 M
 1 2 3 4 5 6 7 8 9 10

1	Category FWF—Wafer	2	Series Number 150—Pitch1.5mm	3	Distinction No. 05	4	Row Option Single Row	5	Circuits XX	6	Entry Angle S—180° Vertical
7	Plating 2—Tin Plated	8	Material—Resin 4—PA9T	9	Color—Resin W5—White	10	Packaging M—Reel				





Recommended P.C.Board Layout

 THIRD ANGLE PROJECTION	GENERAL TOLERANCES (UNLESS SPECIFIED)		APPROVE BY FRANK	DATE 8/JUL/13	PART NO. FWF15005—SXXS24W5M	ITEM NO. FWF15005	 Leader Of Industry
	X.±.012(0.30)	X.±5'	CHECKED BY JACOB	DATE 8/JUL/13	TITLE Wire to Board (Wafer) Pitch 1.5mm 180° Vertical (SMT)		
DESIGN UNITS Inch (metric)	X.XX±.008(0.20)	.X'±2'	DRAWN BY CHERRY	DATE 8/JUL/13	THIS DRAWING CONTAINS INFORMATION THAT IS PROPRIETARY TO TXGA INDUSTRIAL ELECTRONICS(S.Z.)CO.,LTD AND SHOULD NOT BE USED WITHOUT WRITTEN PERMISSION		
SCALE 5:1	SIZE A4	X.XXX±.004(0.10)	.XXX'±0.5'				

REV	LOCATIONS	DESCRIPTION	DATE	REVISER	APPD

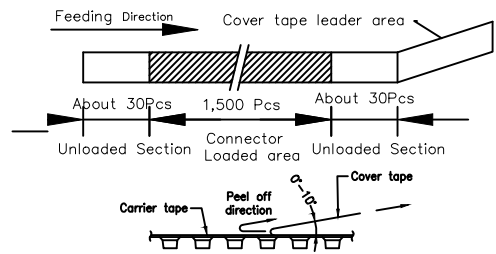
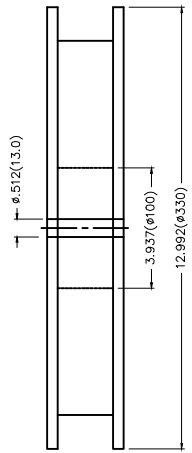
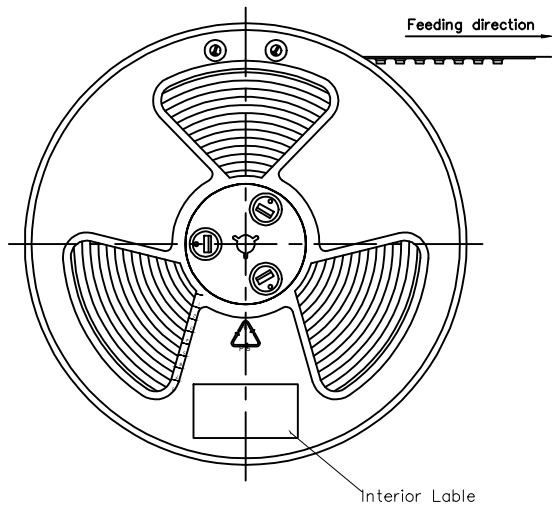
Material and Plating : Housing PA9T UL94V-0, Tin Plated.

Circuits (n)	Part No.	Dimensions(in/mm)	
		A	B
2	FWF15005-S02S24W5M	.059(1.50)	.236(6.00)
3	FWF15005-S03S24W5M	.118(3.00)	.295(7.50)
4	FWF15005-S04S24W5M	.177(4.50)	.354(9.00)
5	FWF15005-S05S24W5M	.236(6.00)	.413(10.50)
6	FWF15005-S06S24W5M	.295(7.50)	.472(12.00)
7	FWF15005-S07S24W5M	.354(9.00)	.531(13.50)
8	FWF15005-S08S24W5M	.413(10.50)	.591(15.00)
9	FWF15005-S09S24W5M	.472(12.00)	.650(16.50)
10	FWF15005-S10S24W5M	.531(13.50)	.709(18.00)
11	FWF15005-S11S24W5M	.591(15.00)	.768(19.50)
12	FWF15005-S12S24W5M	.650(16.50)	.827(21.00)

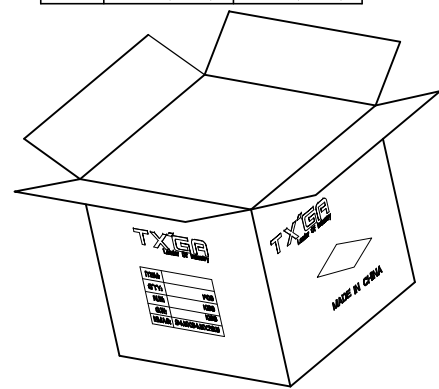
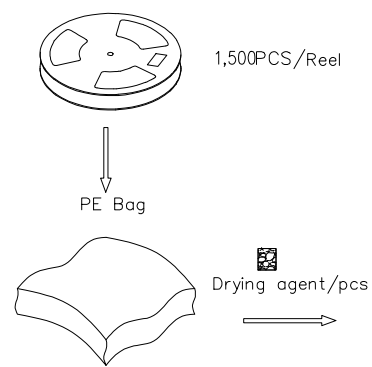
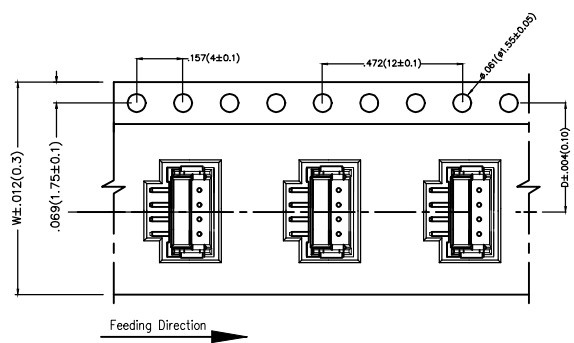
 THIRD ANGLE PROJECTION	GENERAL TOLERANCES (UNLESS SPECIFIED)		APPROVE BY FRANK	DATE 8/JUL/13	PART NO. FWF15005-SXXS24W5M	ITEM NO. FWF15005	 Leader Of Industry	
	DESIGN UNITS Inch (metric)	X.±.012(0.30) X.X±.008(0.20) X.XX±.006(0.15) X.XXX±.004(0.10)	X.±5° .X±2° .XX±1° .XXX±0.5°	CHECKED BY JACOB	DATE 8/JUL/13	TITLE Wire to Board (Wafer) Pitch 1.5mm 180° Vertical (SMT)		REV 0
SCALE 5:1	SIZE A4	DRAWN BY CHERRY		DATE 8/JUL/13	THIS DRAWING CONTAINS INFORMATION THAT IS PROPRIETARY TO TXGA INDUSTRIAL ELECTRONICS(S.Z)CO.,LTD AND SHOULD NOT BE USED WITHOUT WRITTEN PERMISSION			

REV	LOCATIONS	DESCRIPTION	DATE	REVISER	APPD

- Note:
1. 10 sprocket hole cumulative tolerance ± 0.2
 2. Carrier camber is within 1.0mm in 100mm
 3. Material: White Conductive polystyrene Alloy 100% recyclable
 4. All dimensions meet EIA-481-3 requirements
 5. Component load per 13" reel: 1,500pcs



Pins	Dimensions(in./mm)	
	D	W
2	.295(7.50)	.630(16.00)
3	.295(7.50)	.630(16.00)
4	.453(11.50)	.945(24.00)
5	.453(11.50)	.945(24.00)
6	.453(11.50)	.945(24.00)
7	.559(14.20)	1.260(32.00)
8	.559(14.20)	1.260(32.00)
9	.559(14.20)	1.260(32.00)
10	.559(14.20)	1.260(32.00)
11	.559(14.20)	1.260(32.00)
12	.559(14.20)	1.260(32.00)



 THIRD ANGLE PROJECTION	GENERAL TOLERANCES (UNLESS SPECIFIED)		APPROVE BY	DATE	PART NO.	ITEM NO.	 Leader Of Industry
	X.±.012(0.30)	X.±5'	FRANK	8/JUL/13	FWF15005-SXXS24W5M	FWF15005	
DESIGN UNITS Inch (metric)	X.X±.008(0.20)	X.±2'	CHECKED BY	DATE	TITLE		REV 0
SCALE	X.XX±.006(0.15)	.XX±1'	JACOB	8/JUL/13	Wire to Board (Wafer) Pitch 1.5mm 180° Vertical (SMT)		
SIZE	X.XXX±.004(0.10)	.XXX±0.5'	DRAWN BY	DATE	THIS DRAWING CONTAINS INFORMATION THAT IS PROPRIETARY TO TXGA INDUSTRIAL ELECTRONICS(S.Z.)CO.,LTD AND SHOULD NOT BE USED WITHOUT WRITTEN PERMISSION		
5:1	A4		CHERRY	8/JUL/13			