

REV	LOCATIONS	DESCRIPTION	DATE	REVISER	APPD
1	△	Size changes	21/APR/21	KATE	JOHNNY

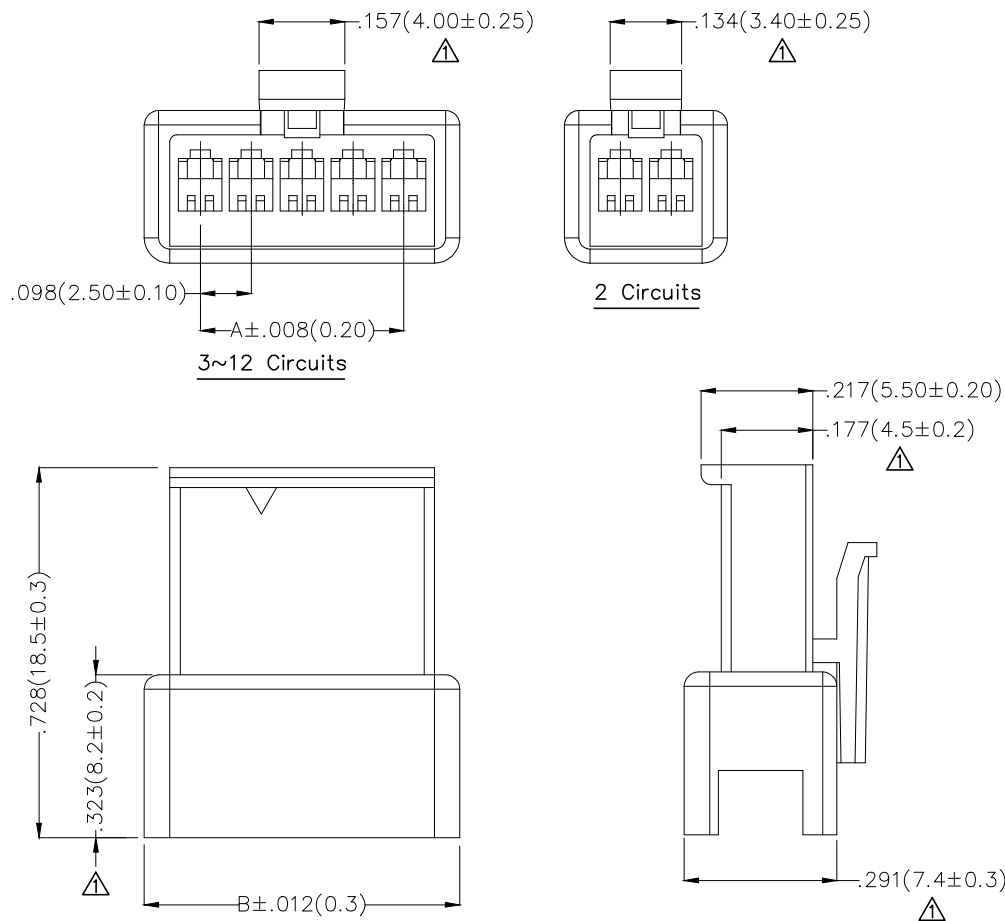
Electrical  
 Temperature Range—Operating:  $-25^{\circ}\text{C}\sim+85^{\circ}\text{C}$   
 Material  
 Housing: PA66 (UL 94V-0)  
 Applicable Terminal: FT25010  
 Mates With(Housing): FHG25010 Series


Circuits (n)	Part No.	Dimensions(in/mm)	
		A	B
2	FHG25011-S02F2K6B	.098(2.50)	.315(8.00)
3	FHG25011-S03F2K6B	.197(5.00)	.413(10.50)
4	FHG25011-S04F2K6B	.295(7.50)	.512(13.00)
5	FHG25011-S05F2K6B	.394(10.00)	.610(15.50)
6	FHG25011-S06F2K6B	.492(12.50)	.709(18.00)
7	FHG25011-S07F2K6B	.591(15.00)	.807(20.50)
8	FHG25011-S08F2K6B	.689(17.50)	.906(23.00)
9	FHG25011-S09F2K6B	.787(20.00)	1.004(25.50)
10	FHG25011-S10F2K6B	.886(22.50)	1.102(28.00)
12	FHG25011-S12F2K6B	1.083(27.50)	1.299(33.00)

### Ordering Information

FHG 250 11 — S XX F 2 K6 B  
 1 2 3 4 5 6 7 8 9

1	Category FHG—Housing	2	Series Number 250—Pitch 2.50mm	3	Distinction No. 11	4	Row Option S—Single row		
5	Circuits XX	6	Type F—Female	7	Material—Resin 2—PA66	8	Color—Resin K6—Black	9	Packaging B—PE Bag



THIRD ANGLE PROJECTION	GENERAL TOLERANCES (UNLESS SPECIFIED)		APPROVE BY FRANK	DATE 25/JUL/13	PART NO. FHG25011-SXXF2K6B	ITEM NO. FHG25011	 Leader Of Industry	
	DESIGN UNITS Inch (metric)	X. $\pm$ .012(0.30) X.X $\pm$ .008(0.20) X.XX $\pm$ .006(0.15) X.XXX $\pm$ .004(0.10)	X. $\pm$ 5' X. $\pm$ 2' X.X $\pm$ 1' X.XX $\pm$ 0.5'	CHECKED BY JACOB	DATE 25/JUL/13	TITLE Wire to Wire Pitch 2.50mm(Housing)		REV 1
SCALE 5:1	SIZE A4		DRAWN BY CHERRY	DATE 25/JUL/13	THIS DRAWING CONTAINS INFORMATION THAT IS PROPRIETARY TO TXGA INDUSTRIAL ELECTRONICS(S.Z)CO.,LTD AND SHOULD NOT BE USED WITHOUT WRITTEN PERMISSION			