

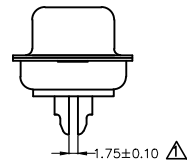
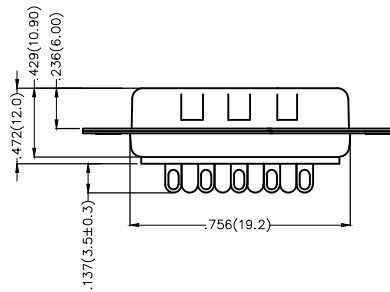
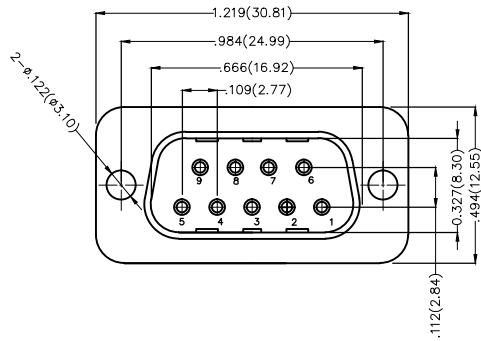
REV	LOCATIONS	DESCRIPTION	DATE	REVISER	APPD
1	△	ADD DIM	25/FEB/15	KEVIN	CHERRY

Electrical

Current Rating: 3A AC(rms)/DC
Voltage Rating: 250V AC(rms)/DC
Contact Resistance: 25 mΩ Max
Insulation Resistance: 1000 MΩ MIN
Withstanding Voltage: 500V AC r.m.s
Temperature Range-Operating: -55°C ~+105°C

Material and Plating

Housing: PBT(UL 94V-0)
Contact Pin: Phosphor Bronze
Plating: Selective gold in contact area, tin on tail



Ordering Information

FDB 09 05 - M0 W S X XX XX X A
1 2 3 4 5 6 7 8 9 10 11

1	Category FDB-D-SUB Connectors	2	Circuits 09-9Circuits	3	Distinction No. 05	4	Type M0-Male	5	Assembly Layout W-Welding Type	6	Entry Angle S-180° Vertical
7	Plating 3-Selective gold in contact area, tin on tail	8	Thickness of Plating 00-Gold Flash 03-3μ" Custom plate available	9	Color-Resin K6-Black U1-Blue	10	Packaging L-Tube K-Tray	11	Distinction Type A-A Type		

 THIRD ANGLE PROJECTION	GENERAL TOLERANCES (UNLESS SPECIFIED)		APPROVE BY FRANK	DATE 28/JUN/13	PART NO. FDB0905-MOWSXXXXXXA	ITEM NO. FDB0905	 Leader Of Industry
	DESIGN UNITS Inch (metric)	X.±.012(0.30)	X.'±5'	CHECKED BY JACOB	DATE 28/JUN/13	TITLE D-SUB Connectors 9 Circuits 180° Vertical Male	
SCALE 5:1	SIZE A4	X.XX±.008(0.20)	X.'±2'	DRAWN BY CHERRY	DATE 28/JUN/13	THIS DRAWING CONTAINS INFORMATION THAT IS PROPRIETARY TO TXGA INDUSTRIAL ELECTRONICS(S.Z)CO.,LTD AND SHOULD NOT BE USED WITHOUT WRITTEN PERMISSION	
		X.XX±.006(0.15)	.XX'±1'			REV 1	SHEET NO. 1/1
		X.XXX±.004(0.10)	.XXX'±0.5'				

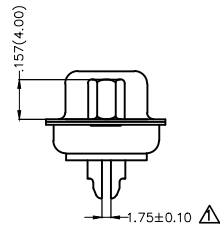
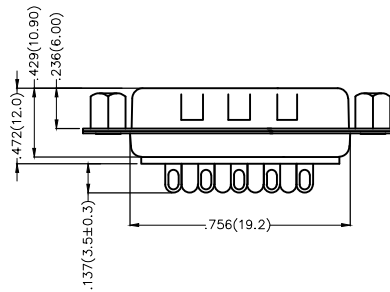
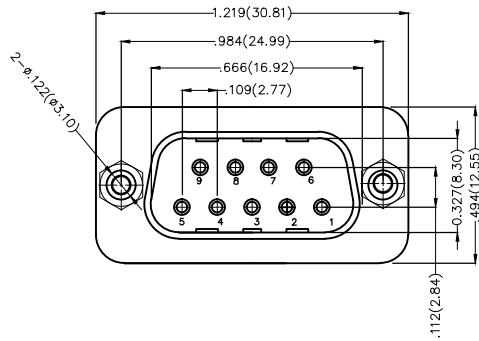
REV	LOCATIONS	DESCRIPTION	DATE	REVISER	APPD
1	△	ADD DIM	25/FEB/15	KEVIN	CHERRY

Electrical

Current Rating: 3A AC(rms)/DC
Voltage Rating: 250V AC(rms)/DC
Contact Resistance: 25 mΩ Max
Insulation Resistance: 1000 MΩ MIN
Withstanding Voltage: 500V AC r.m.s
Temperature Range—Operating: -55°C ~+105°C

Material and Plating

Housing: PBT(UL 94V-0)
Contact Pin: Phosphor Bronze
Plating: Selective gold in contact area, tin on tail



Ordering Information

FDB 09 05 — M0 W S X XX XX X B
1 2 3 4 5 6 7 8 9 10 11

1	Category FDB-D-SUB Connectors	2	Circuits 09-9Circuits	3	Distinction No. 05	4	Type M0-Male	5	Assembly Layout W-Welding Type	6	Entry Angle S-180° Vertical
7	Plating 3-Selective gold in contact area, tin on tail	8	Thickness of Plating 00-Gold Flash 03-3μ" Custom plate available	9	Color-Resin K6-Black U1-Blue	10	Packaging L-Tube K-Tray	11	Distinction Type B-B Type		

 THIRD ANGLE PROJECTION	GENERAL TOLERANCES (UNLESS SPECIFIED)		APPROVE BY FRANK	DATE 28/JUN/13	PART NO. FDB0905-MOWSXXXXXB	ITEM NO. FDB0905	 Leader Of Industry	
	DESIGN UNITS Inch (metric)	X.±.012(0.30)	X.'±5'	CHECKED BY JACOB	DATE 28/JUN/13	TITLE D-SUB Connectors 9 Circuits 180° Vertical Male		REV 1
SCALE 5:1	SIZE A4	X.XX±.008(0.20)	X.'±2'	DRAWN BY CHERRY	DATE 28/JUN/13	THIS DRAWING CONTAINS INFORMATION THAT IS PROPRIETARY TO TXGA INDUSTRIAL ELECTRONICS(S.Z)CO.,LTD AND SHOULD NOT BE USED WITHOUT WRITTEN PERMISSION		

1 2 3 4 5 6 7 8

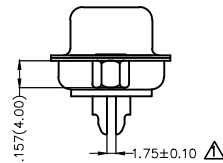
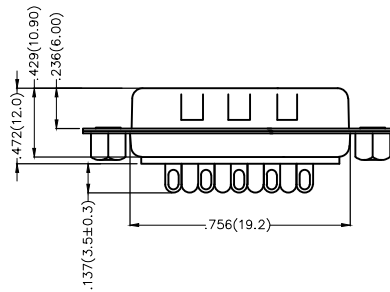
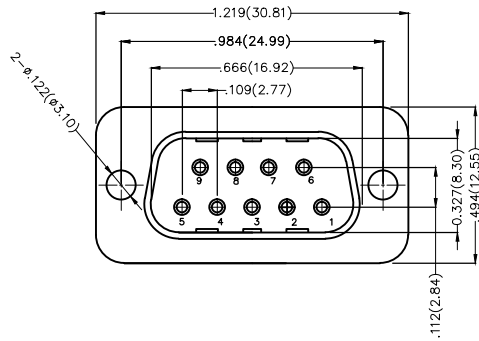
REV	LOCATIONS	DESCRIPTION	DATE	REVISER	APPD
1	△	ADD DIM	25/FEB/15	KEVIN	CHERRY

Electrical

Current Rating: 3A AC(rms)/DC
 Voltage Rating: 250V AC(rms)/DC
 Contact Resistance: 25 mΩ Max
 Insulation Resistance: 1000 MΩ MIN
 Withstanding Voltage: 500V AC r.m.s
 Temperature Range-Operating: -55°C ~+105°C

Material and Plating

Housing: PBT(UL 94V-0)
 Contact Pin: Phosphor Bronze
 Plating: Selective gold in contact area, tin on tail



Ordering Information

FDB 09 05 - M0 W S X XX XX X C
 1 2 3 4 5 6 7 8 9 10 11

1	Category FDB-D-SUB Connectors	2	Circuits 09-9Circuits	3	Distinction No. 05	4	Type M0-Male	5	Assembly Layout W-Welding Type	6	Entry Angle S-180° Vertical
7	Plating 3-Selective gold in contact area, tin on tail	8	Thickness of Plating 00-Gold Flash 03-3µ" Custom plate available	9	Color-Resin K6-Black U1-Blue	10	Packaging L-Tube K-Tray	11	Distinction Type C-C Type		

<p>THIRD ANGLE PROJECTION</p>	GENERAL TOLERANCES (UNLESS SPECIFIED)		APPROVE BY FRANK	DATE 28/JUN/13	PART NO. FDB0905-MOWSXXXXXX	ITEM NO. FDB0905	<p>Leader Of Industry</p>	
	DESIGN UNITS Inch (metric)	X.±.012(0.30)	X.'±5'	CHECKED BY JACOB	DATE 28/JUN/13	TITLE D-SUB Connectors 9 Circuits 180° Vertical Male		REV 1
SCALE 5:1	SIZE A4	X.XX±.006(0.15)	.XX'±1'	DRAWN BY CHERRY	DATE 28/JUN/13	THIS DRAWING CONTAINS INFORMATION THAT IS PROPRIETARY TO TXGA INDUSTRIAL ELECTRONICS(S.Z)CO.,LTD AND SHOULD NOT BE USED WITHOUT WRITTEN PERMISSION		

1 2 3 4 5 6 7 8

1 2 3 4 5 6 7 8

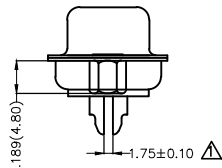
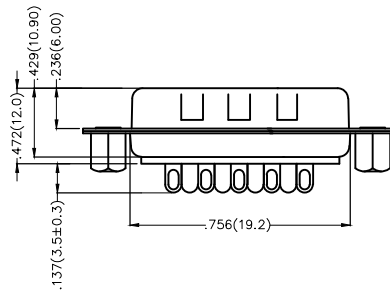
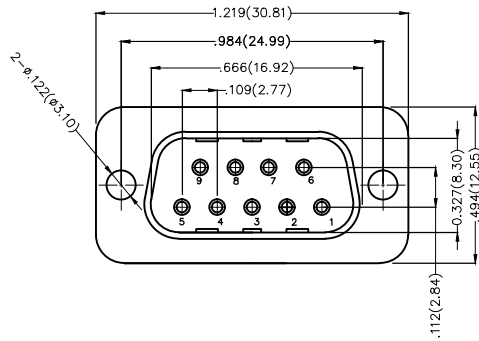
REV	LOCATIONS	DESCRIPTION	DATE	REVISER	APPD
1	△	ADD DIM	25/FEB/15	KEVIN	CHERRY

Electrical

Current Rating: 3A AC(rms)/DC
 Voltage Rating: 250V AC(rms)/DC
 Contact Resistance: 25 mΩ Max
 Insulation Resistance: 1000 MΩ MIN
 Withstanding Voltage: 500V AC r.m.s
 Temperature Range—Operating: -55°C ~+105°C

Material and Plating

Housing: PBT(UL 94V-0)
 Contact Pin: Phosphor Bronze
 Plating: Selective gold in contact area, tin on tail



Ordering Information

FDB 09 05 — M0 W S X XX XX X D
 1 2 3 4 5 6 7 8 9 10 11

1	Category FDB-D-SUB Connectors	2	Circuits 09-9Circuits	3	Distinction No. 05	4	Type M0-Male	5	Assembly Layout W-Welding Type	6	Entry Angle S-180° Vertical
7	Plating 3-Selective gold in contact area, tin on tail	8	Thickness of Plating 00-Gold Flash 03-3μ" Custom plate available	9	Color-Resin K6-Black U1-Blue	10	Packaging L-Tube K-Tray	11	Distinction Type D-D Type		

<p>THIRD ANGLE PROJECTION</p>	GENERAL TOLERANCES (UNLESS SPECIFIED)		APPROVE BY FRANK	DATE 28/JUN/13	PART NO. FDB0905-MOWSXXXXXD	ITEM NO. FDB0905	<p>Leader Of Industry</p>	
	DESIGN UNITS Inch (metric)	X.±.012(0.30)	X.'±5'	CHECKED BY JACOB	DATE 28/JUN/13	TITLE D-SUB Connectors 9 Circuits 180° Vertical Male		REV 1
SCALE 5:1	SIZE A4	X.XX±.006(0.15)	.XX'±1'	DRAWN BY CHERRY	DATE 28/JUN/13	THIS DRAWING CONTAINS INFORMATION THAT IS PROPRIETARY TO TXGA INDUSTRIAL ELECTRONICS(S.Z)CO.,LTD AND SHOULD NOT BE USED WITHOUT WRITTEN PERMISSION		

1 2 3 4 5 6 7 8

1 2 3 4 5 6 7 8

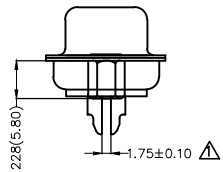
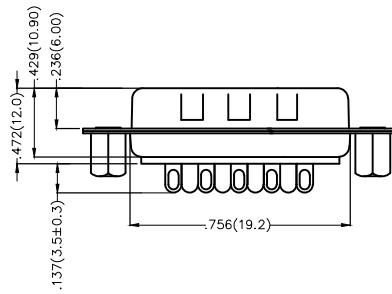
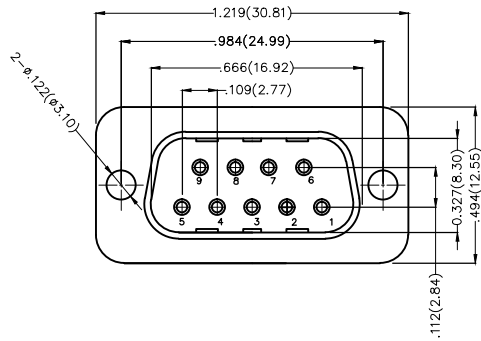
REV	LOCATIONS	DESCRIPTION	DATE	REVISER	APPD
1	△	ADD DIM	25/FEB/15	KEVIN	CHERRY

Electrical

Current Rating: 3A AC(rms)/DC
 Voltage Rating: 250V AC(rms)/DC
 Contact Resistance: 25 mΩ Max
 Insulation Resistance: 1000 MΩ MIN
 Withstanding Voltage: 500V AC r.m.s
 Temperature Range—Operating: -55°C ~+105°C

Material and Plating

Housing: PBT(UL 94V-0)
 Contact Pin: Phosphor Bronze
 Plating: Selective gold in contact area, tin on tail



Ordering Information

FDB 09 05 — M0 W S X XX XX X E
 1 2 3 4 5 6 7 8 9 10 11

1	Category FDB-D-SUB Connectors	2	Circuits 09-9Circuits	3	Distinction No. 05	4	Type M0-Male	5	Assembly Layout W-Welding Type	6	Entry Angle S-180° Vertical
7	Plating 3-Selective gold in contact area, tin on tail	8	Thickness of Plating 00-Gold Flash 03-3μ" Custom plate available	9	Color-Resin K6-Black U1-Blue	10	Packaging L-Tube K-Tray	11	Distinction Type E-E Type		

<p>THIRD ANGLE PROJECTION</p>	GENERAL TOLERANCES (UNLESS SPECIFIED)		APPROVE BY FRANK	DATE 28/JUN/13	PART NO. FDB0905-MOWSXXXXXXE	ITEM NO. FDB0905	<p>Leader Of Industry</p>	
	DESIGN UNITS Inch (metric)	X.±.012(0.30)	X.'±5'	CHECKED BY JACOB	DATE 28/JUN/13	TITLE D-SUB Connectors 9 Circuits 180° Vertical Male		REV 1
SCALE 5:1	SIZE A4	X.XX±.006(0.15)	.XX'±1'	DRAWN BY CHERRY	DATE 28/JUN/13	THIS DRAWING CONTAINS INFORMATION THAT IS PROPRIETARY TO TXGA INDUSTRIAL ELECTRONICS(S.Z)CO.,LTD AND SHOULD NOT BE USED WITHOUT WRITTEN PERMISSION		

1 2 3 4 5 6 7 8

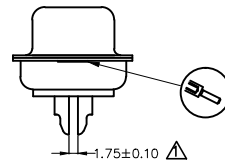
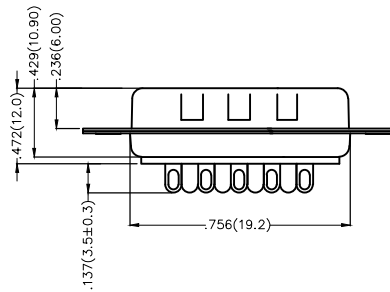
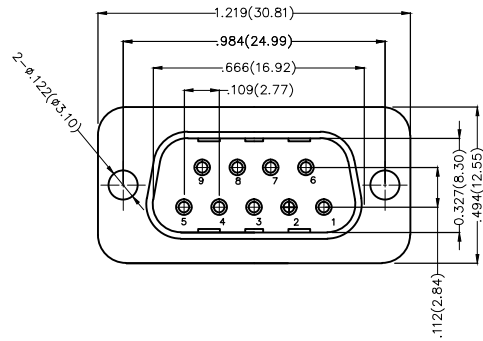
REV	LOCATIONS	DESCRIPTION	DATE	REVISER	APPD
1	△	ADD DIM	25/FEB/15	KEVIN	CHERRY

Electrical

Current Rating: 3A AC(rms)/DC
Voltage Rating: 250V AC(rms)/DC
Contact Resistance: 25 mΩ Max
Insulation Resistance: 1000 MΩ MIN
Withstanding Voltage: 500V AC r.m.s
Temperature Range—Operating: -55°C ~+105°C

Material and Plating

Housing: PBT(UL 94V-0)
Contact Pin: Phosphor Bronze
Plating: Selective gold in contact area, tin on tail



Ordering Information

FDB 09 05 — M0 W S X XX XX X F
1 2 3 4 5 6 7 8 9 10 11

1	Category FDB-D-SUB Connectors	2	Circuits 09-9Circuits	3	Distinction No. 05	4	Type M0-Male	5	Assembly Layout W-Welding Type	6	Entry Angle S-180° Vertical
7	Plating 3-Selective gold in contact area, tin on tail	8	Thickness of Plating 00-Gold Flash 03-3μ" Custom plate available	9	Color-Resin K6-Black U1-Blue	10	Packaging L-Tube K-Tray	11	Distinction Type F-F Type		

 THIRD ANGLE PROJECTION	GENERAL TOLERANCES (UNLESS SPECIFIED)		APPROVE BY FRANK	DATE 28/JUN/13	PART NO. FDB0905-MOWSXXXXXF	ITEM NO. FDB0905	 Leader Of Industry	
	DESIGN UNITS Inch (metric)	X.±.012(0.30)	X'.±5'	CHECKED BY JACOB	DATE 28/JUN/13	TITLE D-SUB Connectors 9 Circuits 180° Vertical Male		REV 1
SCALE 5:1	SIZE A4	X.XX±.008(0.20)	X'±2'	DRAWN BY CHERRY	DATE 28/JUN/13	THIS DRAWING CONTAINS INFORMATION THAT IS PROPRIETARY TO TXGA INDUSTRIAL ELECTRONICS(S.Z)CO.,LTD AND SHOULD NOT BE USED WITHOUT WRITTEN PERMISSION		