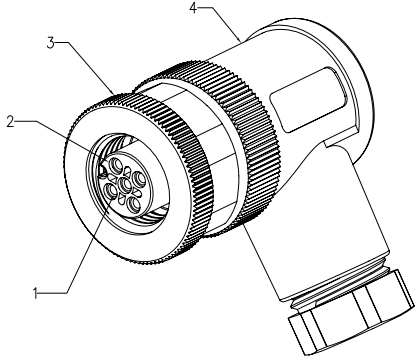
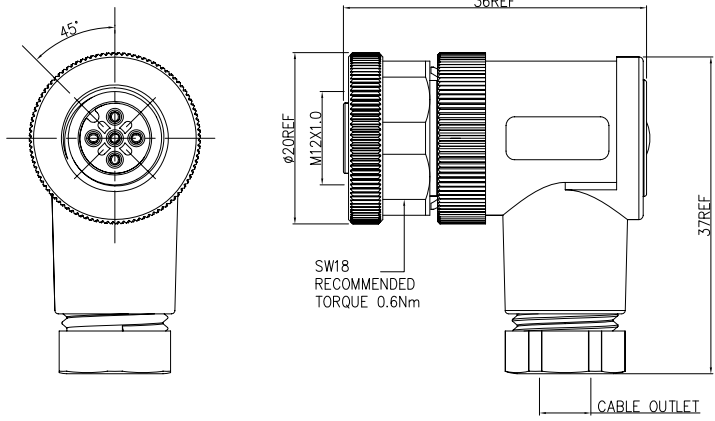


| REV | LOCATIONS | DESCRIPTION | DATE   | REVISER | APPD  |
|-----|-----------|-------------|--------|---------|-------|
| 0   |           | New Release | 24/APR |         | FRANK |



- NOTES:
- MATERIAL:
    - No.1: CONTACT-BRONZE
    - No.2: HOUSING-PA/BLACK
    - No.3: NUT-BRASS
    - No.4: HOUSING BODY-PBT+GF
  - CONTACT FINISH:
    - GOLD OVER NICKEL OR SILVER OVER NICKEL
  - CABLE WIRES:
    - 18AWG/0.75mm<sup>2</sup> Max.FOR 2-5PINS
    - 20AWG/0.50mm<sup>2</sup> Max.FOR 8PINS
  - ALL DIMENSIONS ARE FOR NOMINAL REFERENCE ONLY UNLESS OTHERWISE STATED
  - CABLE OUTLET: PG7(CABLE FEED)4-6MM,PG9(CABLE FEED)6-8MM
  - PACKING: 1PC IN A BAG
  - ALL PRODUCT MUST COMPLIANCE WITH ROHS AND REACH.

| TECHNIACAL DATA            | FCQ12004-A02P22XXBK000 | FCQ12004-A03P22XXBK000 | FCQ12004-A04P22XXBK000 | FCQ12004-A05P22XXBK000 | FCQ12004-A08P22XXBK000 |
|----------------------------|------------------------|------------------------|------------------------|------------------------|------------------------|
| FEMALE INSERT(MATING SIDE) |                        |                        |                        |                        |                        |
| RATED VOLTAGE              | 250V                   | 250V                   | 250V                   | 60V                    | 30V                    |
| RATED CURRENT              | 4A                     | 4A                     | 4A                     | 4A                     | 2A                     |
| POLLUTION DEGREE           | 3                      | 3                      | 3                      | 3                      | 3                      |
| OVERVOLTAGE CATEGORY       | II                     | II                     | II                     | II                     | II                     |
| MATERIAL GROUP             | II                     | II                     | II                     | II                     | II                     |
| CONTACT RESISTANCE         | ≤8mΩ                   | ≤8mΩ                   | ≤8mΩ                   | ≤8mΩ                   | ≤8mΩ                   |
| INSULATION RESISTANCE      | >100MΩ                 | >100MΩ                 | >100MΩ                 | >100MΩ                 | >100MΩ                 |
| DEGREE OF PROTECTION       | IP67                   | IP67                   | IP67                   | IP67                   | IP67                   |
| OPERATION TEMPERATURE      | -40~85°C               | -40~85°C               | -40~85°C               | -40~85°C               | -40~85°C               |

Ordering Information

FCQ 12 004 - A XX X X X X XX X XXX

|   |   |                                       |                                |  |                                   |   |
|---|---|---------------------------------------|--------------------------------|--|-----------------------------------|---|
| 1   Category<br>FCQ-Quick Contact Header  | 2   Series Number<br>12-M12                             | 3   Distinction No.<br>004            | 4   Coded<br>A-A CODED         | 5   Circuits<br>02-2Circuits<br>03-3Circuits<br>04-4Circuits<br>05-5Circuits<br>08-8Circuits | 6   Type<br>P-Plug                | 7   Coupling Nut Type<br>1-Plastic<br>2-Copper<br>3-Stainless Steel |
| 8   Contact Type<br>1-Solder Type<br>2-Screw Type<br>3-Crimp Type<br>4-IDC Type | 9   Contact Plating<br>1-Gold Plated<br>2-Silver Plated | 10   Pressing Screw<br>1-PG7<br>2-PG9 | 11   Housing Color<br>BK-Black | 12   Packaging<br>B-Bag<br>M- reel<br>L-Tube   | 13   Version Number<br>000,001... |   |

|                               |                                       |                  |                      |                   |  |                      |                           |               |
|-------------------------------|---------------------------------------|------------------|----------------------|-------------------|--|----------------------|---------------------------|---------------|
| <p>THIRD ANGLE PROJECTION</p> | GENERAL TOLERANCES (UNLESS SPECIFIED) |                  | APPROVE BY<br>FRANK  | DATE<br>21/APR/20 | PART NO.<br>FCQ12004-AXXP22XXBK000   | ITEM NO.<br>FCQ12004 | <p>Leader Of Industry</p> |               |
|                               | X.±.012(0.30)                         | X.±5'            | CHECKED BY<br>CHERRY | DATE<br>21/APR/20 | TITLE<br>M12 FEMALE A CODE,RA UNSHIELDED CONNECTOR SCREW TERMINAL  |                      |                           | REV 0         |
|                               | X.X±.008(0.20)                        | .X'±2'           | DRAWN BY<br>DANIEL   | DATE<br>21/APR/20 | THIS DRAWING CONTAINS INFORMATION THAT IS PROPRIETARY TO TXGA INDUSTRIAL ELECTRONICS(S,Z)CO.,LTD AND SHOULD NOT BE USED WITHOUT WRITTEN PERMISSION |                      |                           | SHEET NO. 1/2 |
|                               | X.XX±.006(0.15)                       | .XX'±1'          |                      |                   |  |                      |                           |               |
| SCALE<br>2:1                  | SIZE<br>A4                            | X.XXX±.004(0.10) | .XXX'±0.5'           |                   |  |                      |                           |               |

|     |           |             |        |         |       |
|-----|-----------|-------------|--------|---------|-------|
| REV | LOCATIONS | DESCRIPTION | DATE   | REVISER | APPD  |
| 0   |           | New Release | 24/APR |         | FRANK |

| PIN ARRANGEMENT<br>A-CODE |                         |                         |
|---------------------------|-------------------------|-------------------------|
| FCQ12004-A02P22XXBKB000   | FCQ12004-A03P22XXBKB000 | FCQ12004-A04P22XXBKB000 |
|                           |                         |                         |
| FCQ12004-A05P22XXBKB000   | FCQ12004-A08P22XXBKB000 |                         |
|                           |                         |                         |

FCQ12004-AXXP22XXBKB000

| Contacts | P/N                     | CABLE OUTLET |
|----------|-------------------------|--------------|
| 2        | FCQ12004-A02P2211BKB000 | 4-6MM        |
| 2        | FCQ12004-A02P2212BKB000 | 6-8MM        |
| 3        | FCQ12004-A03P2211BKB000 | 4-6MM        |
| 3        | FCQ12004-A03P2212BKB000 | 6-8MM        |
| 4        | FCQ12004-A04P2211BKB000 | 4-6MM        |
| 4        | FCQ12004-A04P2212BKB000 | 6-8MM        |
| 5        | FCQ12004-A05P2211BKB000 | 4-6MM        |
| 5        | FCQ12004-A05P2212BKB000 | 6-8MM        |
| 8        | FCQ12004-A08P2211BKB000 | 4-6MM        |
| 8        | FCQ12004-A08P2212BKB000 | 6-8MM        |

|                                   |  |                  |                      |                    |  |   |                           |       |
|-----------------------------------|--|------------------|----------------------|--------------------|--|---|---------------------------|-------|
| <p>THIRD ANGLE<br/>PROJECTION</p> | GENERAL TOLERANCES<br>(UNLESS SPECIFIED) |                  | APPROVE BY<br>FRANK  | DATE<br>21/APR/20  | PART NO.<br>FCQ12004-AXXP22XXBKB000                                  | ITEM NO.<br>FCQ12004  | <p>Leader Of Industry</p> |       |
|                                   | X.±.012(0.30)                            | X.±5'            | CHECKED BY<br>CHERRY | DATE<br>21/APR/20  | TITLE<br>M12 FEMALE A CODE,RA UNSHIELDED<br>CONNECTOR SCREW TERMINAL |   |                           | REV 0 |
|                                   | DESIGN UNITS<br>Inch (metric)            | X.X±.008(0.20)   | .X±2'                | DRAWN BY<br>DANIEL | DATE<br>21/APR/20  | THIS DRAWING CONTAINS INFORMATION THAT IS PROPRIETARY TO TXGA INDUSTRIAL<br>ELECTRONICS(S,Z)CO.,LTD AND SHOULD NOT BE USED WITHOUT WRITTEN PERMISSION |                           |       |
|                                   | SCALE<br>2:1                             | SIZE<br>A4       | X.XX±.006(0.15)      |                    |  |   | SHEET NO. 2/2             |       |
|                                   |  | X.XXX±.004(0.10) |                      |                    |  |   |                           |       |

1 2 3 4 5 6 7 8

A

B

C

D

E

F

A

B

C

D

E

F

1 2 3 4 5 6 7 8