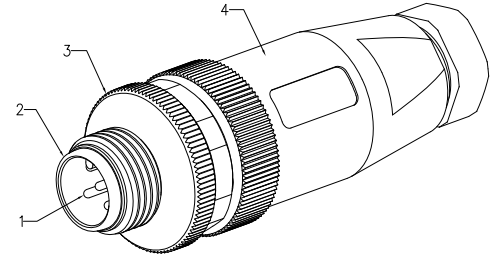
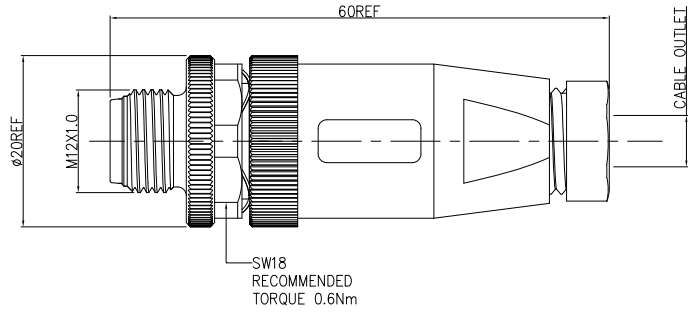
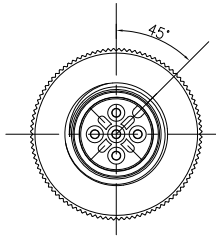


| REV | LOCATIONS | DESCRIPTION | DATE | REVISER | APPD |
|-----|-----------|-------------|--------|---------|-------|
| 0 | | New Release | 24/APR | | FRANK |



- NOTES:
- MATERIAL:
 - No.1: CONTACT-BRASS
 - No.2: HOUSING-PA/BLACK
 - No.3: NUT-BRASS
 - No.4: HOUSING BODY-PBT+GF
 - CONTACT FINISH: GOLD OVER NICKEL OR SILVER OVER NICKEL
 - CABLE WIRES:
 - 18AWG/0.75mm² Max.FOR 2-5PINS
 - 20AWG/0.50mm² Max.FOR 8PINS
 - ALL DIMENSIONS ARE FOR NOMINAL REFERENCE ONLY UNLESS OTHERWISE STATED
 - CABLE OUTLET: PG7(CABLE FEED)4-6MM,PG9(CABLE FEED)6-8MM
 - PACKING: 1PC IN A BAG
 - ALL PRODUCT MUST COMPLIANCE WITH ROHS AND REACH.

| TECHNIACAL DATA | FCQ12001-A02P22XBKB000 | FCQ12001-A03P22XBKB000 | FCQ12001-A04P22XBKB000 | FCQ12001-A05P22XBKB000 | FCQ12001-A08P22XBKB000 |
|--------------------------|------------------------|------------------------|------------------------|------------------------|------------------------|
| MALE INSERT(MATING SIDE) | | | | | |
| RATED VOLTAGE | 250V | 250V | 250V | 60V | 30V |
| RATED CURRENT | 4A | 4A | 4A | 4A | 2A |
| POLLETION DEGREE | 3 | 3 | 3 | 3 | 3 |
| OVERVOLTAGE CATEGORY | II | II | II | II | II |
| MATERIAL GROUP | II | II | II | II | II |
| CONTACT RESISTANCE | ≤8mΩ | ≤8mΩ | ≤8mΩ | ≤8mΩ | ≤8mΩ |
| INSULATION RESISTANCE | >100MΩ | >100MΩ | >100MΩ | >100MΩ | >100MΩ |
| DEGREE OF PROTECTION | IP67 | IP67 | IP67 | IP67 | IP67 |
| OPERATION TEMPERATURE | -40~85°C | -40~85°C | -40~85°C | -40~85°C | -40~85°C |

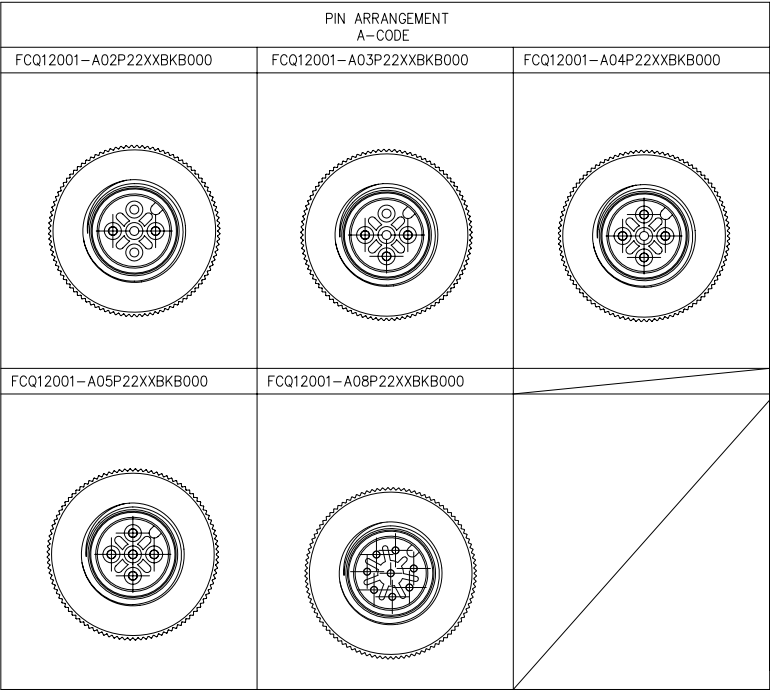
Ordering Information

FCQ 12 001 - A XX X X X X XX X XXX
 1 2 3 4 5 6 7 8 9 10 11 12 13

| | | | | | | |
|---|---|-------------------------------------|------------------------------|--|---------------------------------|---|
| 1 Category FCQ-Quick Contact Header | 2 Series Number 12-M12 | 3 Distinction No. 001 | 4 Coded A-A CODED | 5 Circuits 02-2Circuits 03-3Circuits 04-4Circuits 05-5Circuits 08-8Circuits | 6 Type P-Plug | 7 Coupling Nut Type 1-Plastic 2-Copper 3-Stainless Steel |
| 8 Contact Type 1-Solder Type 2-Screw Type 3-Crimp Type 4-IDC Type | 9 Contact Plating 1-Gold Plated 2-Silver Plated | 10 Pressing Screw 1-PG7 2-PG9 | 11 Housing Color BK-Black | 12 Packaging B-Bag M-Reel L-Tube | 13 Version Number 000,001... | |

| | | | | | | | |
|---|---------------------------------------|------------|----------------------|-------------------|--|----------------------|------------------------|
| THIRD ANGLE PROJECTION DESIGN UNITS Inch (metric) SCALE 2:1 SIZE A4 | GENERAL TOLERANCES (UNLESS SPECIFIED) | | APPROVE BY FRANK | DATE 21/APR/20 | PART NO. FCQ12001-AXXP22XBKB000 | ITEM NO. FCQ12001 | Leader Of Industry |
| | X.±0.12(0.30) | X.±5' | CHECKED BY CHERRY | DATE 21/APR/20 | TITLE M12 MALE A CODE,STRAIGHT UNSHIELDED CONNECTOR SCREW TERMINAL | | |
| | X.XX±.008(0.20) | .X'±2' | DRAWN BY DANIEL | DATE 21/APR/20 | THIS DRAWING CONTAINS INFORMATION THAT IS PROPRIETARY TO TXGA INDUSTRIAL ELECTRONICS(S,Z)CO.,LTD AND SHOULD NOT BE USED WITHOUT WRITTEN PERMISSION | | SHEET NO. 1/2 |
| | X.XX±.006(0.15) | .XX'±1' | | | | | |
| | X.XXX±.004(0.10) | .XXX'±0.5' | | | | | |

| | | | | | |
|-----|-----------|-------------|--------|---------|-------|
| REV | LOCATIONS | DESCRIPTION | DATE | REVISER | APPD |
| 0 | | New Release | 24/APR | | FRANK |



| Contacts | P/N | CABLE OUTLET |
|----------|-------------------------|--------------|
| 2 | FCQ12001-A02P2211BKB000 | 4-6MM |
| 2 | FCQ12001-A02P2212BKB000 | 6-8MM |
| 3 | FCQ12001-A03P2211BKB000 | 4-6MM |
| 3 | FCQ12001-A03P2212BKB000 | 6-8MM |
| 4 | FCQ12001-A04P2211BKB000 | 4-6MM |
| 4 | FCQ12001-A04P2212BKB000 | 6-8MM |
| 5 | FCQ12001-A05P2211BKB000 | 4-6MM |
| 5 | FCQ12001-A05P2212BKB000 | 6-8MM |
| 8 | FCQ12001-A08P2211BKB000 | 4-6MM |
| 8 | FCQ12001-A08P2212BKB000 | 6-8MM |

| | | | | | | | | |
|-------------------------------|--|------------|----------------------|-------------------|---|----------------------|---|-------|
| THIRD ANGLE PROJECTION | GENERAL TOLERANCES (UNLESS SPECIFIED) | | APPROVE BY FRANK | DATE 21/APR/20 | PART NO. FCQ12001-AXXP22XXBKB000 | ITEM NO. FCQ12001 | Leader Of Industry | |
| | DESIGN UNITS Inch (metric) | | CHECKED BY CHERRY | DATE 21/APR/20 | TITLE M12 MALE A CODE, STRAIGHT UNSHIELDED CONNECTOR SCREW TERMINAL | | | REV 0 |
| | SCALE 2:1 | SIZE A4 | X.±.012(0.30) | X.±5* | DRAWN BY DANIEL | DATE 21/APR/20 | THIS DRAWING CONTAINS INFORMATION THAT IS PROPRIETARY TO TXGA INDUSTRIAL ELECTRONICS(S,Z)CO.,LTD AND SHOULD NOT BE USED WITHOUT WRITTEN PERMISSION | |
| | | | X.X±.008(0.20) | .X±2* | | | | |

1 2 3 4 5 6 7 8

A
B
C
D
E
F

A
B
C
D
E
F

1 2 3 4 5 6 7 8