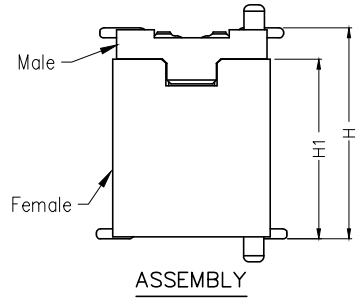
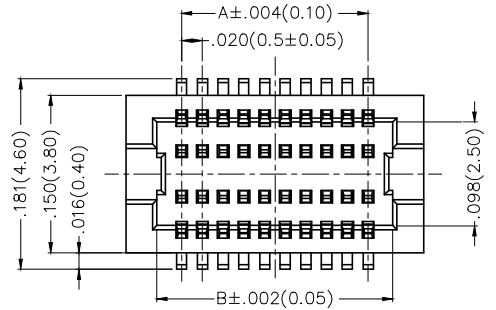


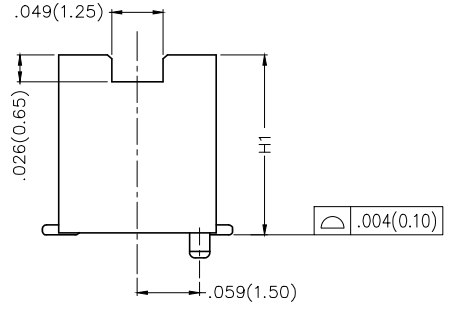
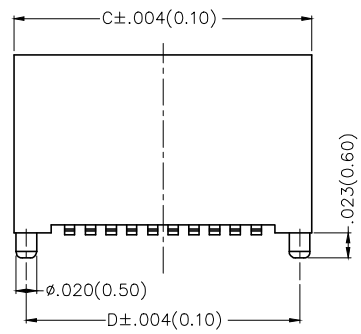
| REV | LOCATIONS | DESCRIPTION | DATE | REVISER | APPD |
|-----|-----------|-------------|------|---------|------|
| | | | | | |



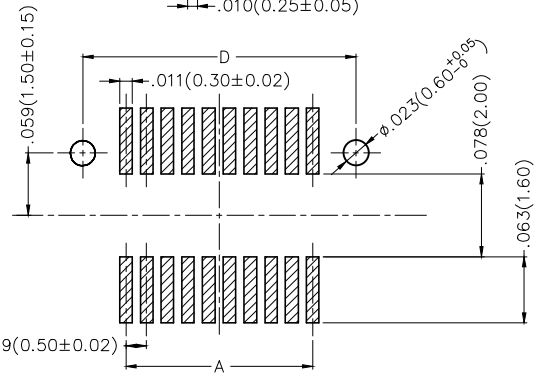
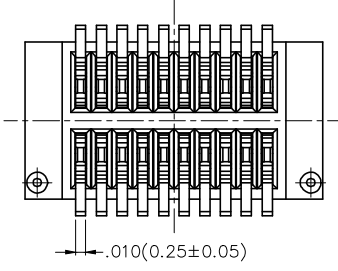
SPECIFICATIONS

Electrical
 Current Rating: 0.5A AC(rms)/DC
 Voltage Rating: 50V AC(rms)/DC
 Contact Resistance: 50 mΩ Max.
 Insulation Resistance: 100 MΩ Min.
 Withstanding Voltage: 200V AC r.m.s
 Temperature Range-Operating: -35°C~+85°C

Material and Plating
 Housing: LCP (UL 94V-0) Natural
 Contacts: Phosphor Bronze/ Gold plated



| Dimensions(in/mm) | | | |
|-------------------|------------|------------|------------|
| Height H | Female H1 | Male H2 | Male H3 |
| .118(3.00) | .093(2.35) | .087(2.20) | .057(1.45) |
| .197(5.00) | .171(4.35) | .108(2.75) | .079(2.00) |



Recommended P.C.Board Layout
 General Tolerances: ±.002(0.05)

Ordering Information

FBB 050 08 — F XX S 1 XX 3 W5 M HXX
 1 2 3 4 5 6 7 8 9 10 11 12

| | | | | | |
|----------------------------------|--|---------------------------|------------------------------|------------------------|--|
| 1 Category FBB-Board to Board | 2 Series Number 050-Pitch0.50mm | 3 Distinction No. 08 | 4 Type F-Female | 5 Circuits XX | 6 Entry Angle S-180° Vertical |
| 7 Plating 1-Gold Plated | 8 Thickness of Plating 01-1μ" 03-3μ" Custom plate available | 9 Material-Resin 3-LCP | 10 Color-Resin W5-Natural | 11 Packaging M-Reel | 12 Female height H24-H1=2.35mm H44-H1=4.35mm |

| | | | | | | | | | |
|---|---------------------------------------|--------|----------------------|-------------------|--|----------------------|------------------------|-------|---------------|
| THIRD ANGLE PROJECTION DESIGN UNITS Inch (metric) SCALE 5:1 SIZE A4 | GENERAL TOLERANCES (UNLESS SPECIFIED) | | APPROVE BY FRANK | DATE 14/AUG/19 | PART NO. FBB05008-FXXS1XX3W5MHXX | ITEM NO. FBB05008 | Leader Of Industry | | |
| | X.±.012(0.30) | X.±5° | CHECKED BY CHERRY | DATE 14/AUG/19 | TITLE Board to Board Pitch 0.5mm 180° Vertical (SMT) | | | REV 0 | SHEET NO. 1/2 |
| | X.XX±.008(0.20) | .X'±2' | DRAWN BY Aubrey | DATE 14/AUG/19 | THIS DRAWING CONTAINS INFORMATION THAT IS PROPRIETARY TO TXGA INDUSTRIAL ELECTRONICS(S.Z)CO.,LTD AND SHOULD NOT BE USED WITHOUT WRITTEN PERMISSION | | | | |

1 2 3 4 5 6 7 8

| REV | LOCATIONS | DESCRIPTION | DATE | REVISER | APPD |
|-----|-----------|-------------|------|---------|------|
| | | | | | |

A

A

B

B

C

C

D

D



E

E

F

F

| Circuits (n) | Part No. | Dimensions(in/mm) | | | |
|-----------------|-------------------------|-------------------|-------------|-------------|-------------|
| | | A | B | C | D |
| 20 | FBB05008-F20S1XX3W5MHXX | .177(4.50) | .224(5.70) | .283(7.20) | .260(6.60) |
| 30 | FBB05008-F30S1XX3W5MHXX | .276(7.00) | .323(8.20) | .382(9.70) | .358(9.10) |
| 40 | FBB05008-F40S1XX3W5MHXX | .374(9.50) | .421(10.70) | .480(12.20) | .457(11.60) |
| 50 | FBB05008-F50S1XX3W5MHXX | .472(12.00) | .520(13.20) | .579(14.70) | .555(14.10) |

| | | | | | | | | | | |
|---|--|---|---|----------------------|--|--|---|-------|---------------|--|
|  THIRD ANGLE PROJECTION | GENERAL TOLERANCES (UNLESS SPECIFIED) | | APPROVE BY FRANK | DATE 14/AUG/19 | PART NO. FBB05008-FXXS1XX3W5MHXX | ITEM NO. FBB05008 |  Leader Of Industry | | | |
| | DESIGN UNITS Inch (metric) | X.X±.012(0.30) X.X±.008(0.20) X.XX±.006(0.15) X.XXX±.004(0.10) | X'±5" X'±2" .XX'±1" .XXX'±0.5" | CHECKED BY CHERRY | DATE 14/AUG/19 | TITLE Board to Board Pitch 0.5mm 180° Vertical (SMT) | | REV 0 | SHEET NO. 2/2 | |
| | SCALE 5:1 | SIZE A4 | DRAWN BY Aubrey | DATE 14/AUG/19 | THIS DRAWING CONTAINS INFORMATION THAT IS PROPRIETARY TO TXGA INDUSTRIAL ELECTRONICS(S.Z)CO.,LTD AND SHOULD NOT BE USED WITHOUT WRITTEN PERMISSION | | | | | |

1 2 3 4 5 6 7 8