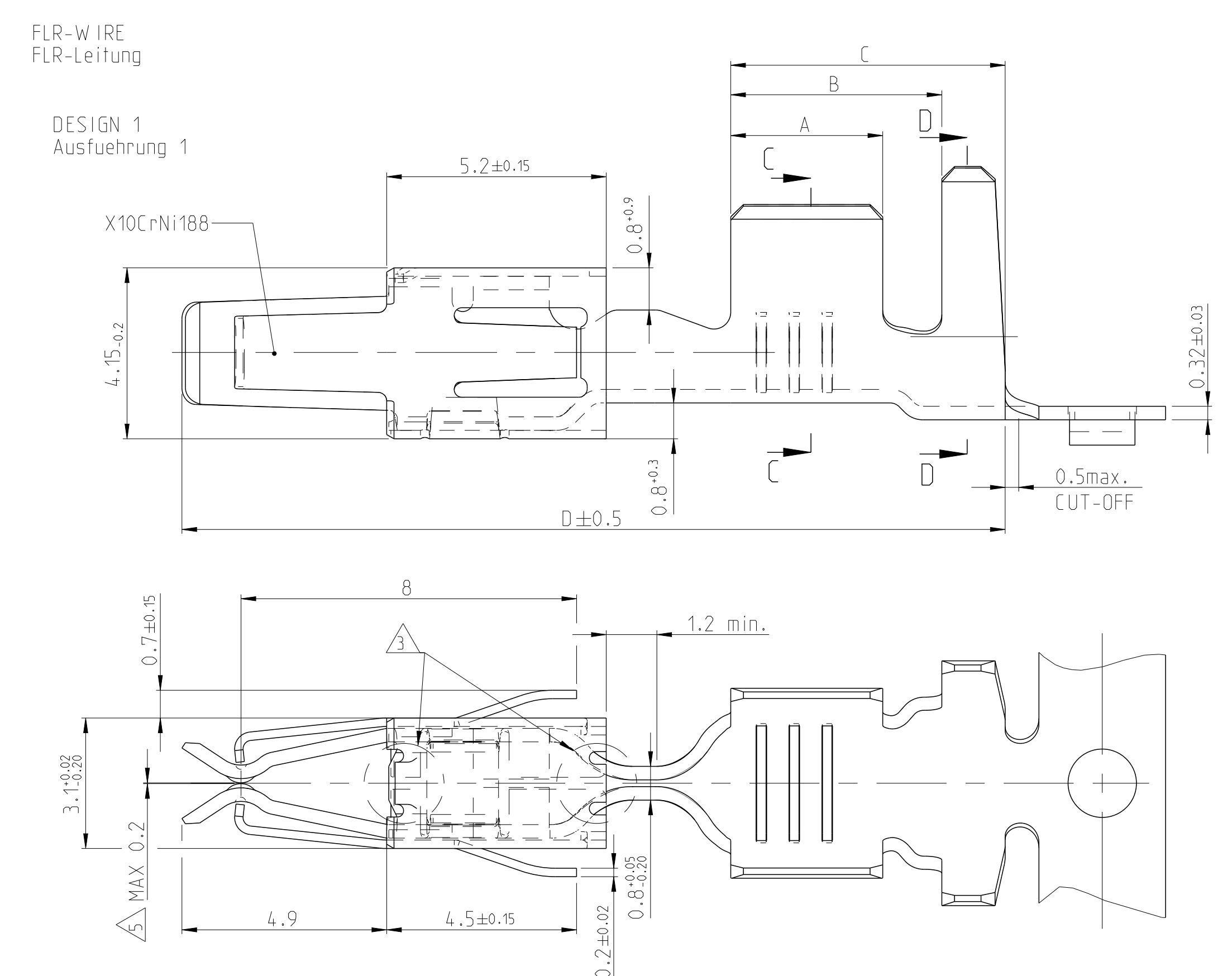
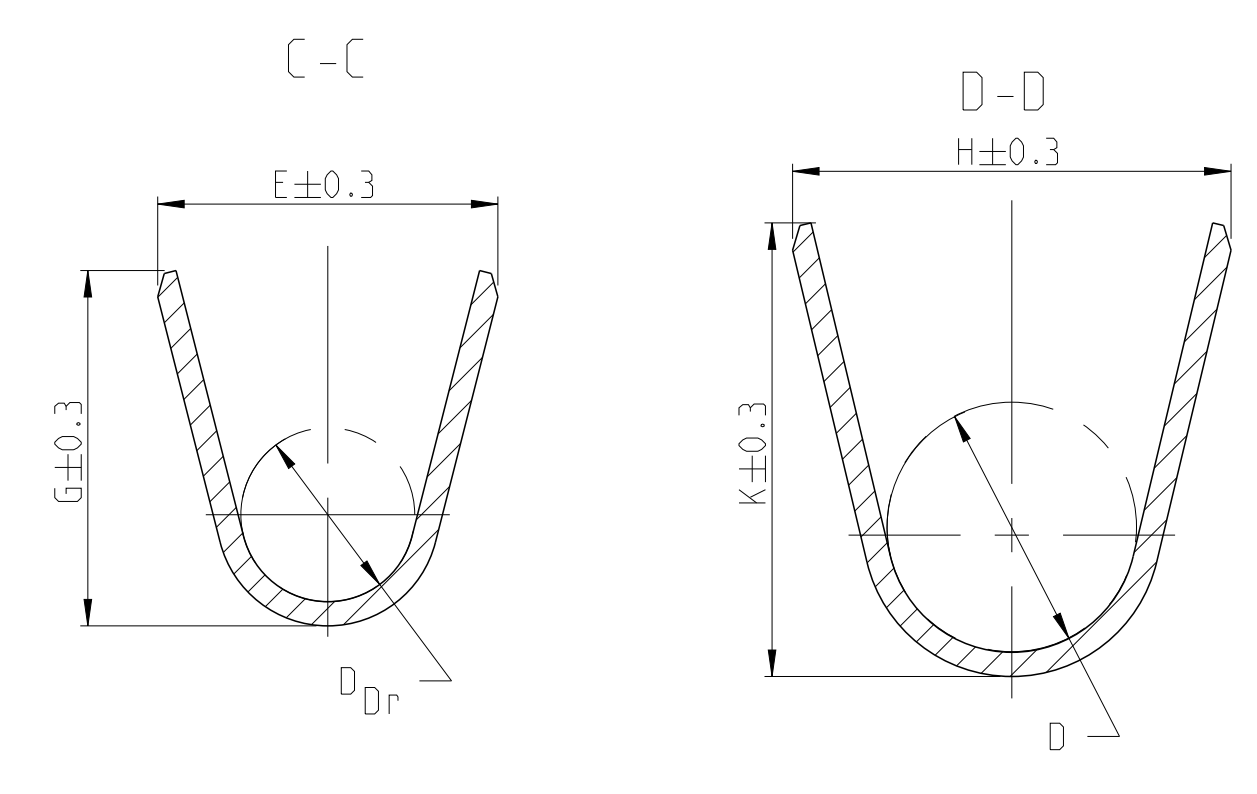
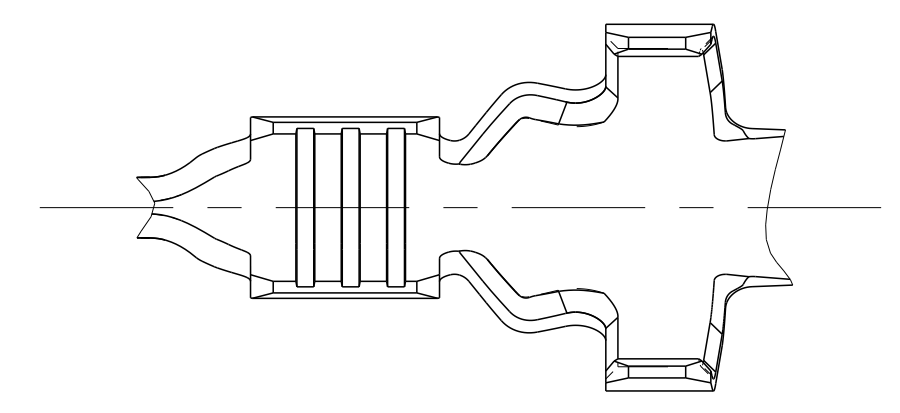
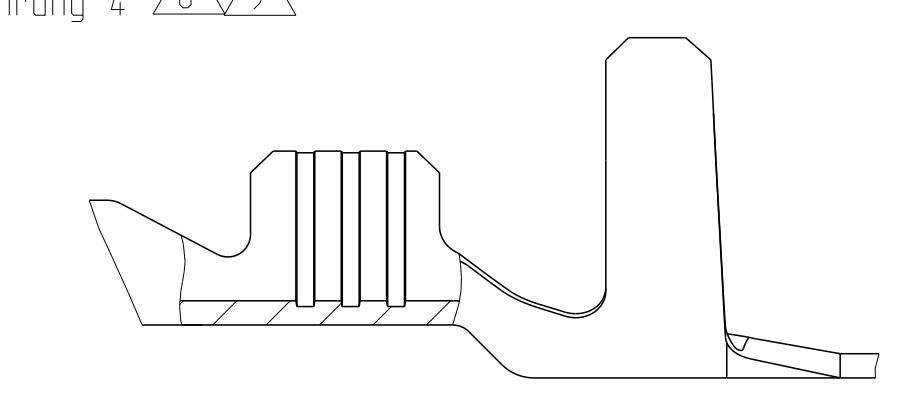


REVISIONS			
NO.	DATE	BY	APPD.
B14	REMOVED NOTE 7	16APR2015	SKL
B15	ECR-15-014318	29SEP2015	VH
B16	NOTE ON DIM MAX. 0.2 CHANGED	06AUG2016	HO
B17	ECR-17-019996, NEW PNG CREATED	02DEC2017	MB

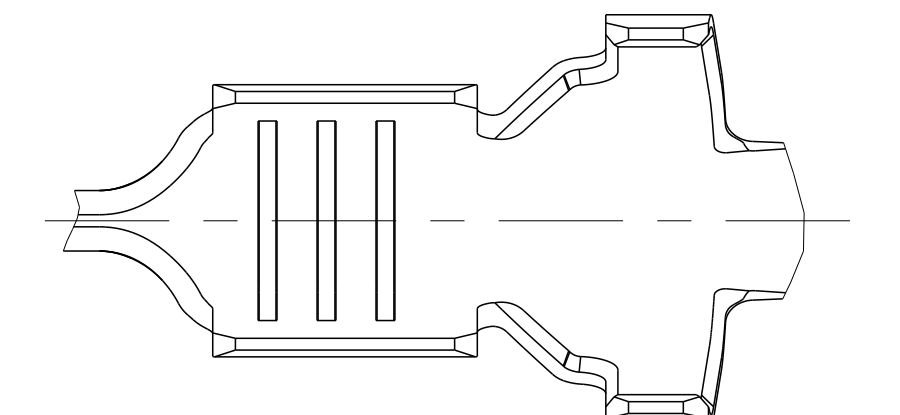
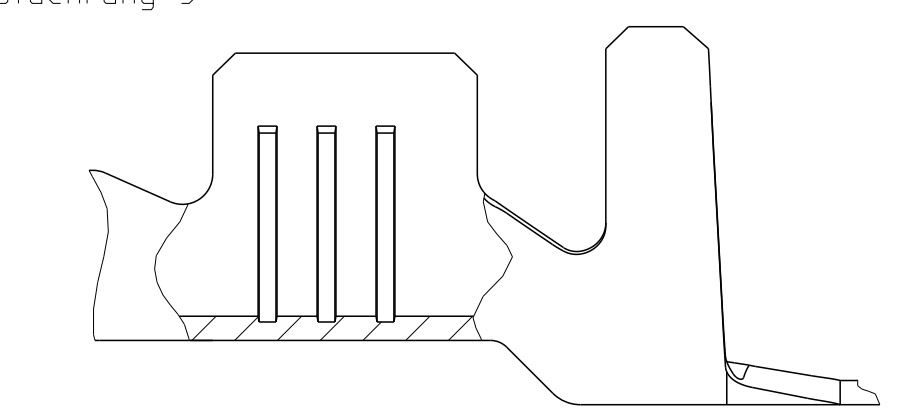


FLR- AND FLK-CABLE
 FLR- und FLK- Leitung

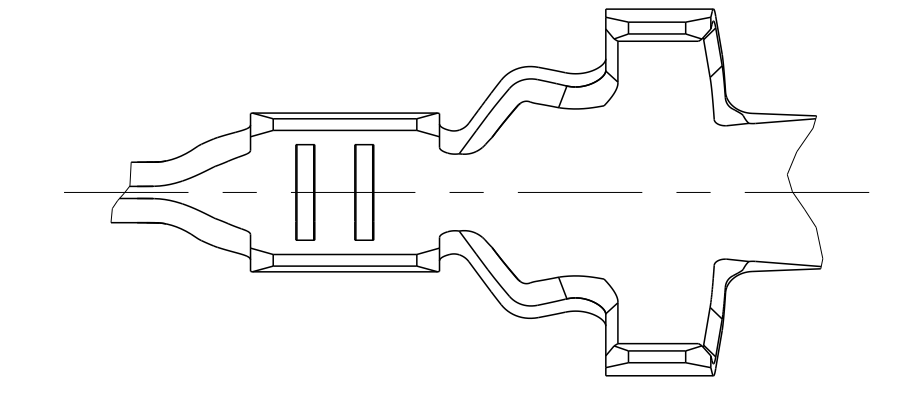
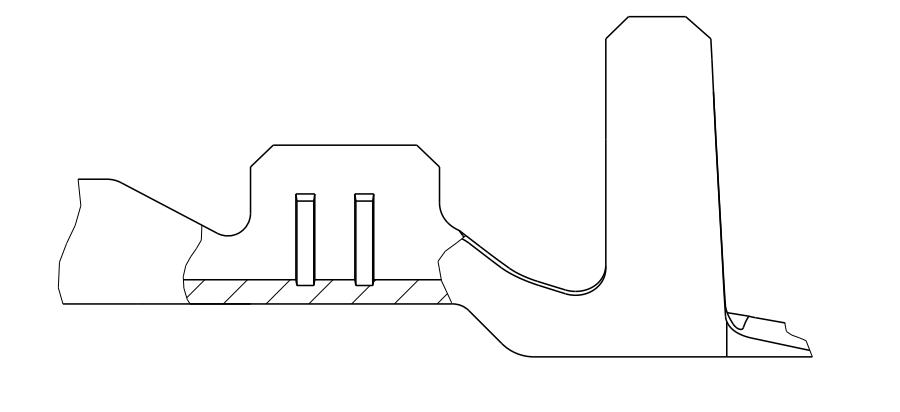
DESIGN 4 Ausfuehrung 4



DESIGN 5 Ausfuehrung 5



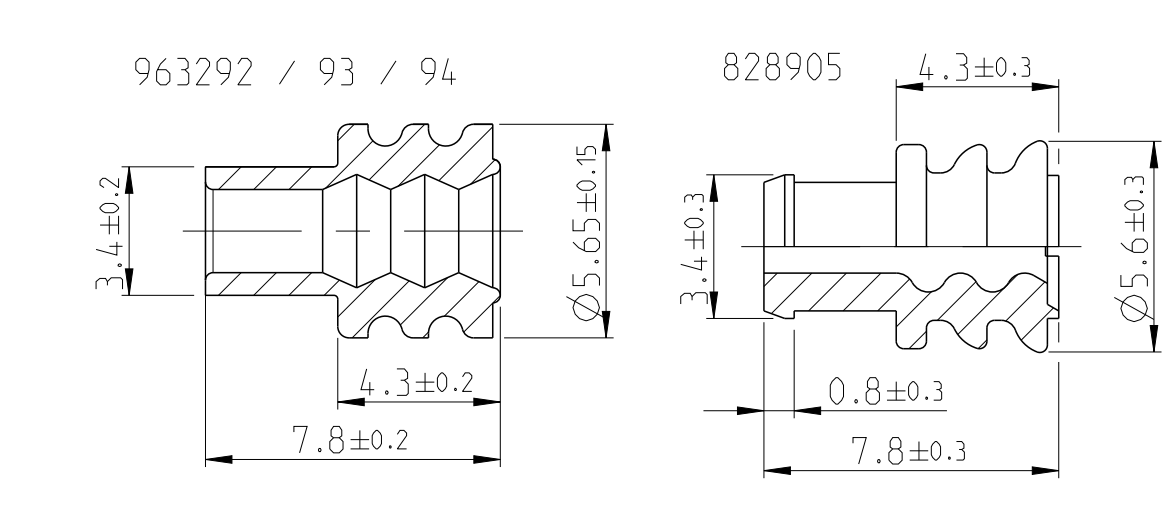
DESIGN 6 Ausfuehrung 6



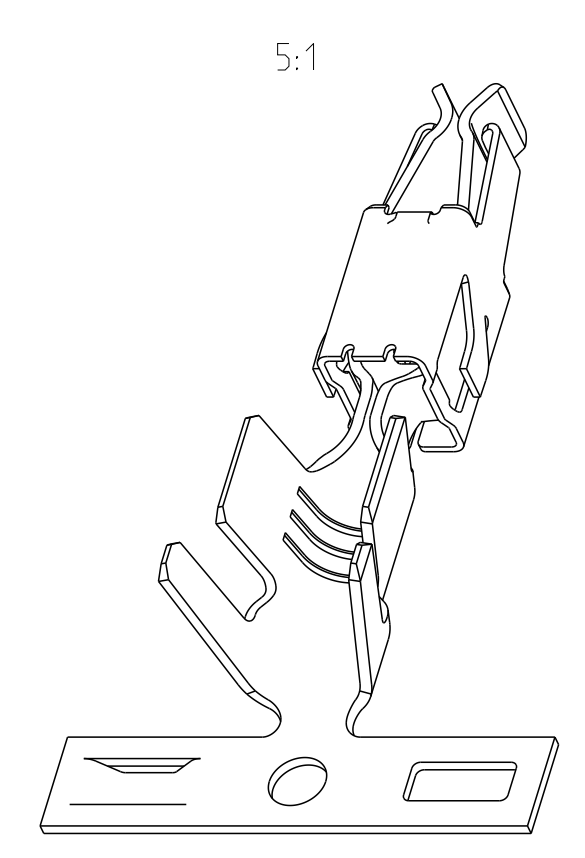
UNSEALED/ ungedichtet	REV.	DESIGN Ausfuehrung	MATERIAL Werkstoff	SURFACE Oberflaeche	WIRE RANGE Drahtgrößen Bereich (mm²)	INSULATION Isolations Ø (mm)	CRIMP DIMENSION (mm)						
							A	B	C	D			
1241978-2	A	1	CuSn 4	PRET INNED vorverzinkt	×2.5-4.0	2.7-3.7	E = 4.5 G = 4.7 DDr = 2.3	H = 5.8 K = 6.0 D = 3.3	3.6	5.0	6.5	19.5	
1241978-1	A		CuFe2	PRET INNED vorverzinkt									
4-965999-1	F		CuNiSi	△									
2-965999-1	F		CuSn 4	△									
965999-6	A	1	CuSn 4	△	×1.0-2.5	2.2-3.0	E = 3.6 G = 3.8 DDr = 1.8	H = 4.7 K = 4.9 D = 2.6	3.3	4.3	5.8	18.8	
965999-2	F		CuSn 4	PRET INNED vorverzinkt									
965999-1	F		CuFe2	PRET INNED vorverzinkt									
4-964284-1	F		CuNiSi	△									
2-964284-1	F		CuSn 4	△									
964284-6	A	1	CuSn 4	△	0.5-1.0	1.4-2.1	E = 2.5 G = 2.7 DDr = 1.2	H = 3.7 K = 3.9 D = 1.8	3.0	4.0	5.5	18.8	
964284-2	F		CuSn 4	PRET INNED vorverzinkt									
964284-1	F		CuFe2	PRET INNED vorverzinkt									
2-2141892-1	A	2	CuSn 4	△	0.35	1.2-1.3	E = 2.4 G = 2.3 DDr = 1.0	H = 2.9 K = 2.9 D = 1.4	2.5	3.5	5.6	18.8	
2141892-2	A		CuSn 4	PRET INNED vorverzinkt									
2-964280-1	F		CuSn 4	△									
964280-2	F	3	CuSn 4	PRET INNED vorverzinkt	0.2-0.5	1.15-1.6	E = 2.1 G = 2.1 DDr = 0.8	H = 2.7 K = 2.8 D = 1.4	2.5	3.5	5.6	18.8	
964280-1	F		CuFe2	PRET INNED vorverzinkt									
2-1564326-1	A	4	CuSn 4	△	0.35	1.2-1.3	E = 2.4 G = 2.3 DDr = 1.0	H = 4.85 K = 4.5 D = 3.2	2.5	4.7	6.3	19.55	
1241872-6	A	5	CuSn4	△	×1.0-2.5	2.2-3.0	E = 3.6 G = 3.8 DDr = 1.8	H = 5.3 K = 5.0 D = 3.5	3.5	5.2	6.8	19.55	
1241872-1	A		CuFe2	PRET INNED vorverzinkt									
1241868-6	A	5	CuSn4	△	0.5-1.0	1.4-2.7	E = 2.5 G = 2.7 DDr = 1.2	H = 5.1 K = 4.8 D = 3.3	3.0	4.7	6.3	19.55	
1241868-1	A		CuFe2	PRET INNED vorverzinkt									
4-1241864-1	A	6	CuNiSi	△	0.2-0.5	1.2-2.3	E = 2.1 G = 2.1 DDr = 0.8	H = 4.7 K = 4.5 D = 3.2	2.5	4.7	6.3	19.55	
6-964273-6	F		CuSn 4	△									
3-964273-1	F		CuNiSi	△									
2-964273-1	F	5	CuSn 4	PRET INNED vorverzinkt	×1.0-2.5	2.2-3.0	E = 3.6 G = 3.8 DDr = 1.8	H = 5.3 K = 5.0 D = 3.5	3.5	5.2	6.8	19.55	
964273-2	F		CuSn 4	PRET INNED vorverzinkt									
964273-1	F		CuFe2	PRET INNED vorverzinkt									
6-964286-6	F		CuSn 4	△									
2-964286-1	F	5	CuSn 4	△	0.5-1.0	1.4-2.7	E = 2.5 G = 2.7 DDr = 1.2	H = 5.1 K = 4.8 D = 3.3	3.0	4.7	6.3	19.55	
964286-2	F		CuSn 4	PRET INNED vorverzinkt									
964286-1	F		CuFe2	PRET INNED vorverzinkt									
2-2141894-1	A	4	CuSn 4	△	0.35	1.2-1.3	E = 2.4 G = 2.3 DDr = 1.0	H = 4.85 K = 4.5 D = 3.2	2.5	4.7	6.3	19.55	
2141894-2	A		CuSn 4	PRET INNED vorverzinkt									
6-964282-6	F		CuSn 4	△									
2-964282-1	F	6	CuSn 4	△	0.2-0.5	1.2-2.3	E = 2.1 G = 2.1 DDr = 0.8	H = 4.7 K = 4.5 D = 3.2	2.5	4.7	6.3	19.55	
964282-2	F		CuSn 4	PRET INNED vorverzinkt									
964282-1	F		CuFe2	PRET INNED vorverzinkt									

SEE APPLICATION - SPECIFICATION Seite Verarbeiten und Spezifikation 114-18050

- △ BODY ELECTRO TIN PLATED OVER NICKEL 0.2 µm min. Kontaktkoerper galv. verzinkt ueber Nickel 0.2 µm min. CONTACT AREA SELECTIV GOLD OVER NICKEL 0.8 µm min. Kontaktzone selektiv vergoldet ueber Nickel 0.8 µm min. WIRE CRIMP AREA ELECTRO TIN PLATED 1 µm min. Drahtcrimbereich galv. verzinkt 1 µm min.
- △ ACCORDING INSULATION DIA IS TO CHOOSE THE SINGLE WIRE SEAL Entsprechend dem Isolationsdurchmesser ist die Einzel-Dichtung auszuwaehlen
- △ CUT OFF OPTIONAL Optionaler Federabschnitt
- △ VARIANTS WITH GAP-SIZE 0.3mm Varianten mit Gap-Size 0.3mm
- △ FOR EVALUATION OF THE GAP-SIZE, THE MATING-FORCE HAS PRIORITY. Zur Beurteilung des Oeffnungsmasses ist die Steckkraft ausschlaggebend
- △ CONTACT BODY PRE-SILVER PLATED MIN. 0.8µm CONTACT ZONE SELECTIVE PRE-SILVER PLATED MIN. 3µm Kontaktkoerper vorversilbert min. 0.8µm Kontaktzone selektiv vorversilbert min. 3µm
- △ PUNCHED WITH VOLATILIZING STAMPING-OIL Gestanzt mit vertuechtigendem Stanzoel
- △ SERRATIONS OVER THE WHOLE WIDTH OF THE CRIMP AREA Rillen ueber die ganze Breite des Crimpbereichs.



SINGLE WIRE SEAL Einzel-Dichtung		
963292-1	2.7-3.0	yellow gelb
963293-1	2.0-2.7	redbrown rotbraun
963294-1	1.2-2.1	blue blau
828905-1	2.2-3.0	white weiss
ORDER No. Bestell-Nr.	INSULATION Ø Isolations Ø	COLOR Colour Farbe



THIS DRAWING IS A CONTROLLED DOCUMENT. DATE: 18AUG2000. BY: Pfeilschiffer. CHECKED: Huhn. APPROVED: Pfeilschiffer. DATE: 02JUN2003. PRODUCT SPEC: 108-18013. APPLICATION SPEC: 114-18050. WEIGHT: -. CUSTOMER: Drawing. SCALE: 5:1. SHEET: 1 OF 1. REV: B17.

STE TE Connectivity

PRODUCT GROUP DRAWING FOR JUNIORPOWER TIMER CONTACT TYPE A Produkt-Gruppenzeichnung fuer JPT Typ A