

4

3

2

1

THIS DRAWING IS UNPUBLISHED.

RELEASED FOR PUBLICATION

© COPYRIGHT

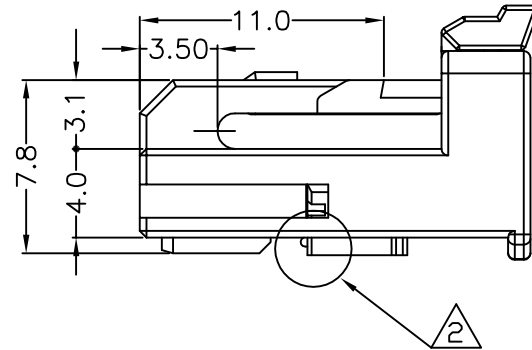
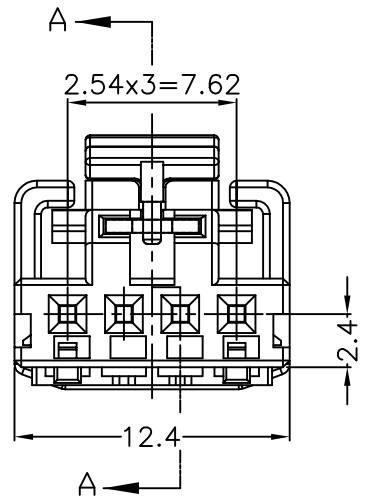
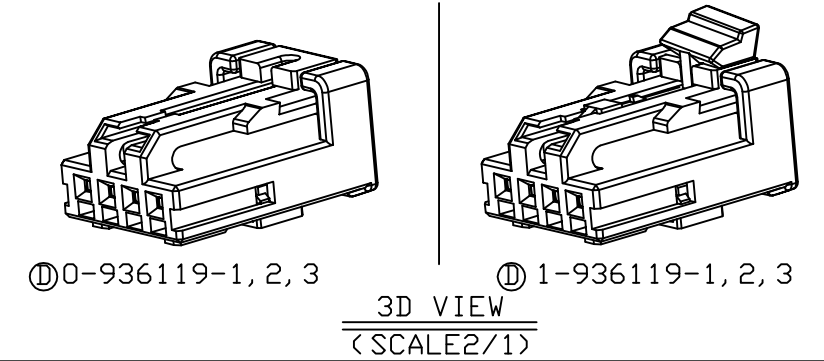
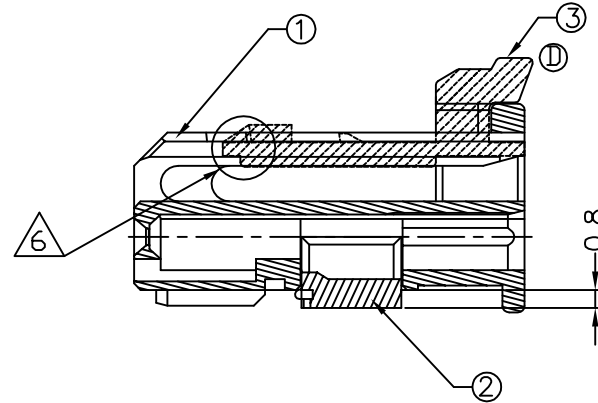
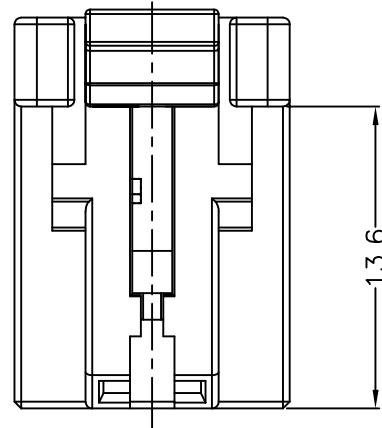
BY TYCO ELECTRONICS CORPORATION, ALL RIGHTS RESERVED.

LOC DS

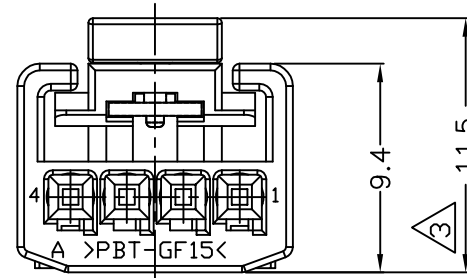
DIST -

REVISIONS

P	LTR	DESCRIPTION	DATE	DWN	APVD
E		REVISED (ECR-13-008383)	16, MAY, '13	JM	HG

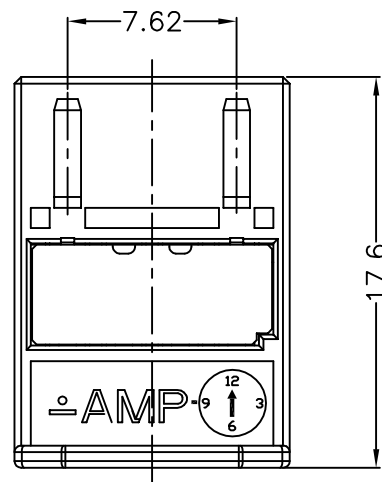


SECTION A-A (SCALE 2/1)



NOTES

- 1. GENERAL TOLERANCE IS ±0.3
 - 2. CONDITION OF DELIVERY : DBL IN 1ST LOCKING POSITION
 - 3. 1-936119-1,2,3 ONLY
 - 4. APPLIED CAP ASS'Y P/N: 936121
 - 5. APPLIED RECEPTACLE CONTACT P/N:
- | | | |
|-----------------------------|----------|--------|
| Part NO. | 928999 | 963715 |
| WIRE SIZE(mm ²) | 0.25~0.5 | 0.75 |
- 6. CONDITION OF DELIVERY : CPA IN 1ST LOCKING POSITION



NO	COLOR	MATERIAL	DESCRIPTION	P/N	QTY					ASSY P/N	DESCRIPTION	
3	WHITE	PBT-GF20	CPA HSG	936353-1	1		1		1			PLUG ASS'Y WITH CPA
2	WHITE	PBT-GF15	DBL HSG	936123-1	1	1	1	1	1	1		PLUG ASS'Y (DARK GRAY)
1	DARK GRAY	PBT-GF15	PLUG HSG	936120-3	1	1						PLUG ASS'Y WITH CPA
	YELLOW	PBT-GF15	PLUG HSG	936120-2			1	1				PLUG ASS'Y (YELLOW)
	BLACK	PBT-GF15	PLUG HSG	936120-1					1	1		PLUG ASS'Y WITH CPA
												PLUG ASS'Y (BLACK)

THIS DRAWING IS A CONTROLLED DOCUMENT FOR TYCO ELECTRONICS CORPORATION IT IS SUBJECT TO CHANGE AND THE CONTROLLING ENGINEERING ORGANIZATION SHOULD BE CONTACTED FOR THE LATEST REVISION.

DIMENSIONS: MM	TOLERANCES UNLESS OTHERWISE SPECIFIED:
3rd ANGLE PROJECTION	0 PLC ± 1 PLC ± 2 PLC ± 3 PLC ± 4 PLC ± ANGLES ±
MATERIAL SEE TABLE	FINISH -----

DWN : JM JEON
CHK : JW JUNG
APVD : HG CHDPRODUCT SPEC -----
APPLICATION SPEC -----
WEIGHT -----

TE TE connectivity

NAME: MQS 4P PLUG ASSEMBLY

SIZE: A3 CAGE CODE: 00779 DRAWING NO: 936119 RESTRICTED TO: -

CUSTOMER DRAWING SCALE: 3/1 SHEET 1 OF 1 REV E