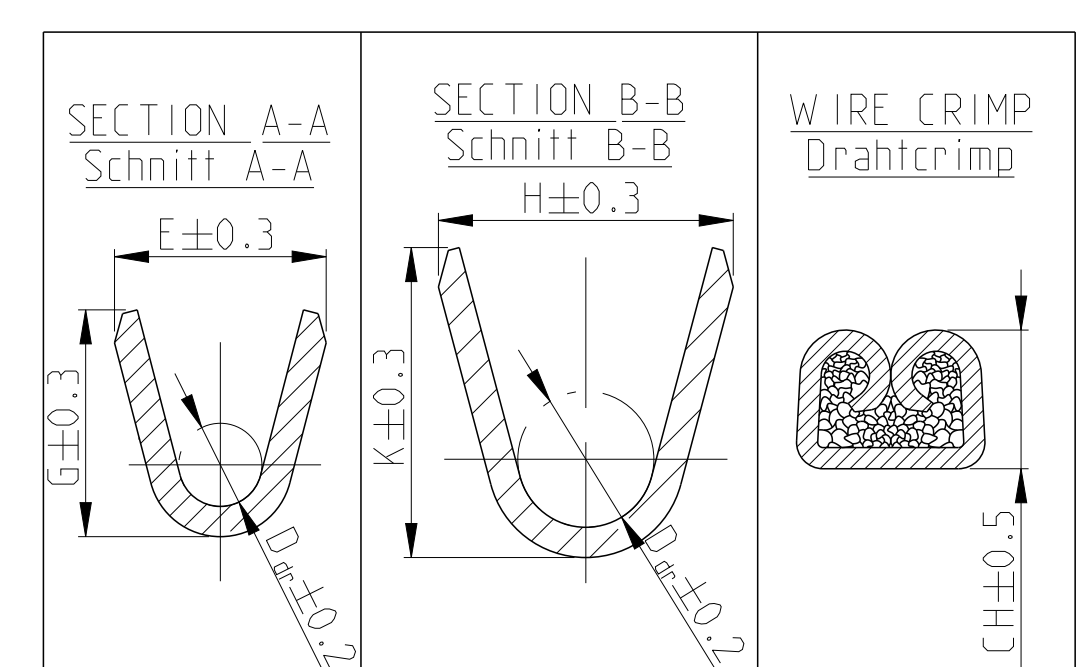
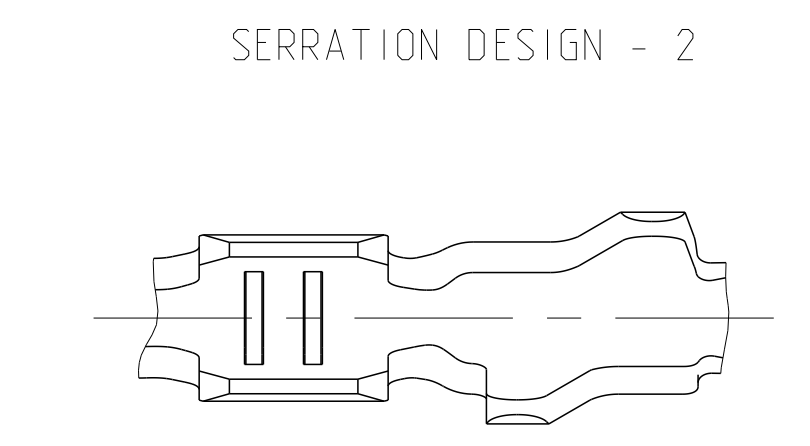
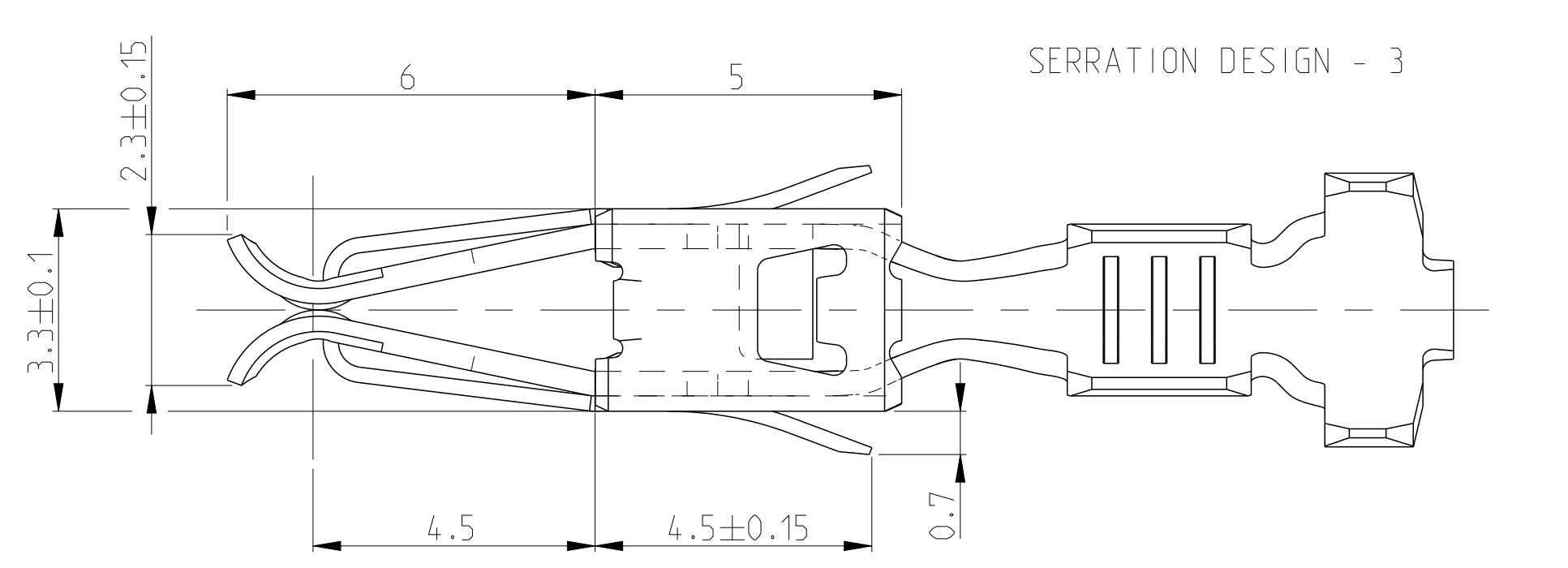
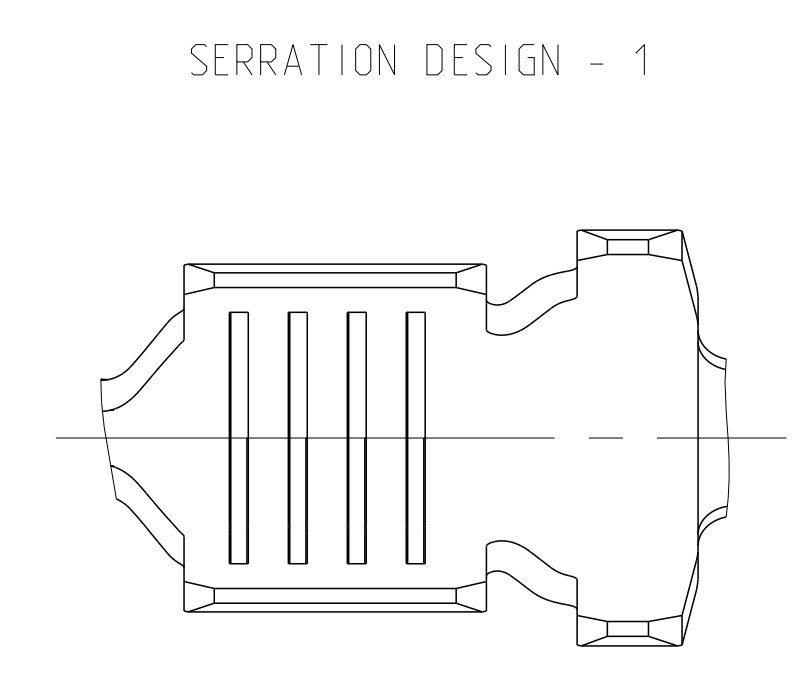
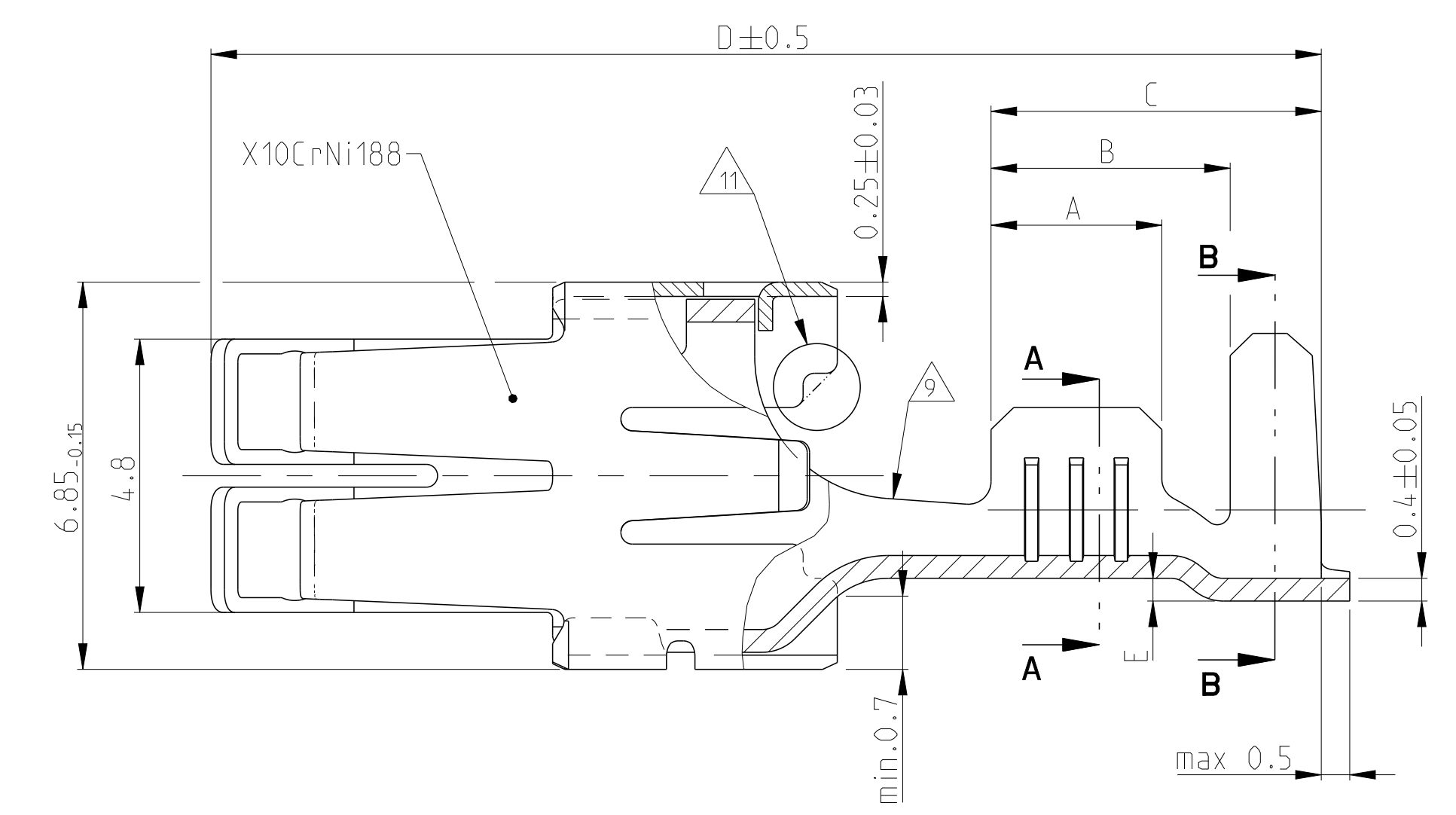


LOC	DIST	REV	DATE	APPD
A1	-	B6	02DEC2005	JJM JP
		B7	19MAY2007	JJM JP
		B8	12JAN2008	JJM JP
		B9	09EC2009	SEK JC

VERSION A (UNSEALED / ungedichtet)

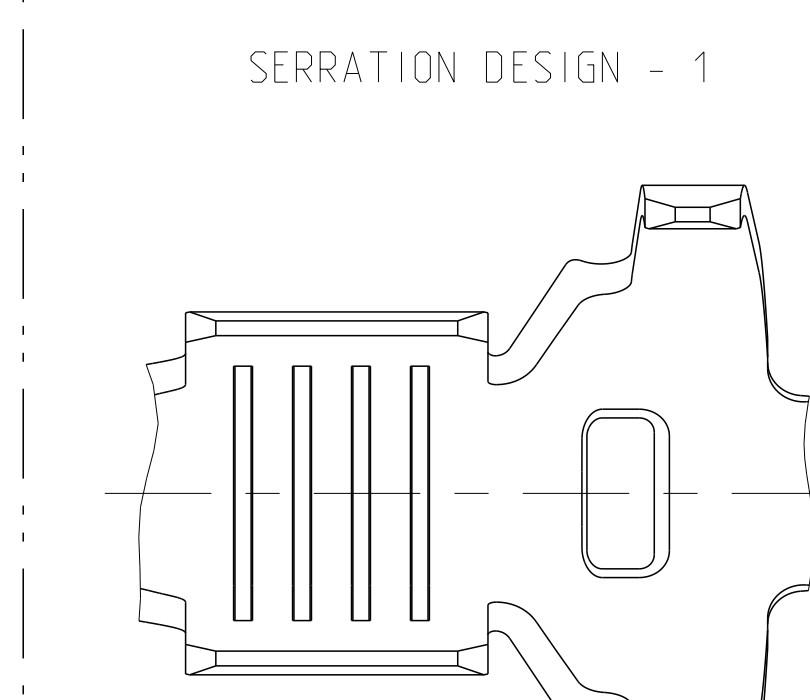
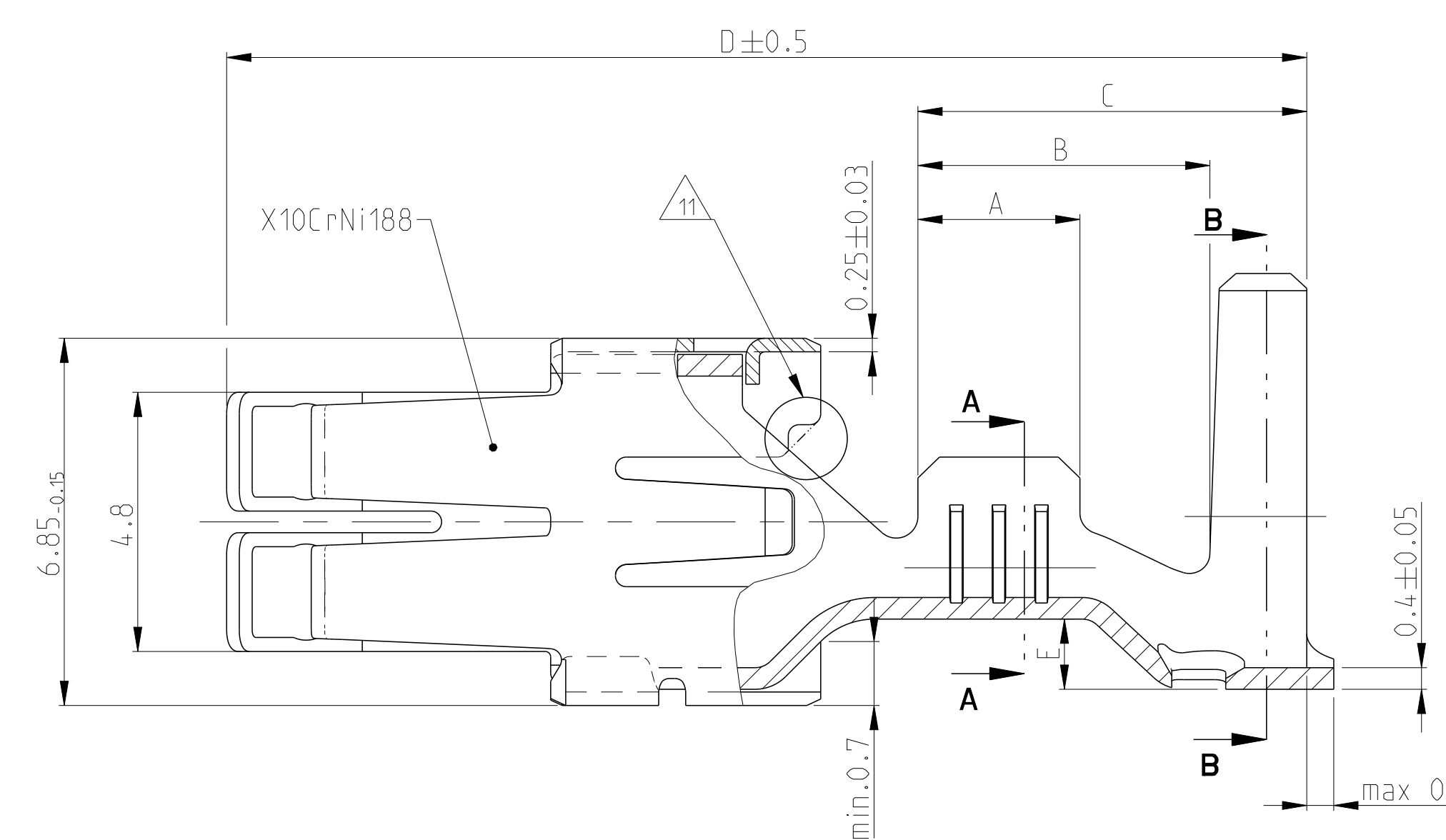


TE CONNECTIVITY ORDER - NO	STRIP FORM BANDWARE	REV	TE CONNECTIVITY ORDER - NO	STRIP FORM BANDWARE	REV	MATERIAL	SURFACE	DBB WIRE RANGE (mm²)	WIRE CRIMP DRÄHTCRIMP	INSUL-CRIMP TOOL - CRIMP	CRIMP HEIGHT Crimp-Höhe	APPLICATION TOOL Anschlag-WKZ	HAND TOOL Handzange	A	B	C	D	E	TE CONNECTIVITY ORDER - NO.	TE CONNECTIVITY ORDER - NO.
-	-	-	-	-	-	-	-	-	-	-	-	-	-	-	-	-	-	-	-	-
-	-	-	-	-	-	-	-	-	-	-	-	-	-	-	-	-	-	-	-	-
-	927839-2	C	-	-	-	CuSn4	vorverzinkt PRETINNED	0.2 - 0.5 FLK	E = 2.2 G = 2.2 D _b = 0.8	H = 3.7 K = 3.8 D _b = 2.0	0.20mm² = 1.13 0.25mm² = 1.15 0.35mm² = 1.19 0.50mm² = 1.26	MQC- Applicator 878426-2	539635-1 WITH DIE: mit Matrize 539744-2	2.5	3.8	6.6	19.5	0.3	-	-
-	927839-1	C	-	-	-	CuFe2	vorverzinkt PRETINNED	0.5 - 1.0 FLK	E = 2.8 G = 3.0 D _b = 1.1	H = 4.5 K = 4.7 D _b = 2.4	0.5mm² = 1.38 0.75mm² = 1.47 1.0mm² = 1.56	MQC- Applicator 2-541689-2	539733-2 WITH DIE: mit Matrize 734269-0	3	4.2	5.8	19.5	0.4	-	-
-	-	-	927827-2	C	-	CuSn4	vorverzinkt PRETINNED	>1.0 - 2.5 FLK	E = 3.8 G = 4.1 D _b = 1.6	H = 5.7 K = 5.8 D _b = 3.6	1.5mm² = 1.76 2.0mm² = 1.90 2.5mm² = 2.04	MQC- Applicator 878367-2	539635-1 WITH DIE: mit Matrize 539733-2	3.5	4.7	6.3	19.5	0.4	-	-
-	-	-	927833-5	D	-	CuFe2	vorverzinkt PRETINNED	>2.5 - 4.0 FLK	E = 4.6 G = 4.8 D _b = 2.4	H = 6.3 K = 6.6 D _b = 4.0	3.0mm² = 2.13 3.5mm² = 2.24 4.0mm² = 2.35	MQC- Applicator 2-878314-2	539635-1 WITH DIE: mit Matrize 539734-2	4	5.2	6.8	19.5	0.6	-	-
927824-2	C	-	-	-	-	CuSn4	vorverzinkt PRETINNED	4.0 - 6.0 FLK	E = 5.2 G = 5.5 D _b = 2.9	H = 7.3 K = 7.6 D _b = 4.5	4.0mm² = 2.17 5.0mm² = 2.36 6.0mm² = 2.55	MQC- Applicator 2-878738-2	-	4.2	5.6	7.7	20	0.6	-	-
927824-1	C	-	-	-	-	CuFe2	vorverzinkt PRETINNED	0.2 - 0.5 FLR	E = 2.2 G = 2.2 D _b = 0.8	H = 2.8 K = 2.8 D _b = 1.4	0.2mm² = 1.13 0.35mm² = 1.19 0.5mm² = 1.26	MQC- Applicator 878427-2	-	2.5	3.8	6.6	19.5	0.3	-	-
963709-5	C	-	-	-	-	CuFe2	vorversilbert PRESILVERED	0.5 - 1.0 FLR	E = 2.8 G = 3.0 D _b = 1.1	H = 3.9 K = 4.1 D _b = 1.8	0.5mm² = 1.43 0.75mm² = 1.52	MQC- Applicator 878328-2	169400-0 WITH DIE: mit Matrize 734781-1	3	4.2	5.8	19.5	0.4	-	-
963709-2	C	-	-	-	-	CuSn4	vorverzinkt PRETINNED	>1.0 - 2.5 FLR	E = 3.8 G = 4.1 D _b = 1.6	H = 4.8 K = 4.9 D _b = 2.6	1.25mm² = 1.69 1.5mm² = 1.76 2.0mm² = 1.90 2.5mm² = 2.04	MQC- Applicator 878356-2	169400-0 WITH DIE: mit Matrize 734251-0	3.5	4.7	6.3	19.5	0.4	-	-
963709-1	C	-	-	-	-	CuFe2	vorversilbert PRESILVERED	>2.5 - 4.0 FLR	E = 4.6 G = 4.8 D _b = 2.4	H = 5.5 K = 5.7 D _b = 3.3	3.0mm² = 2.13 3.5mm² = 2.24 4.0mm² = 2.35	MQC- Applicator 2-878384-2	169400-0 WITH DIE: mit Matrize 734251-0	4	5.2	6.8	19.5	0.6	-	-
1241818-5	B	-	-	-	-	CuFe2	vorverzinkt PRETINNED													
1241818-1	B	-	-	-	-	CuFe2	vorversilbert PRESILVERED													
-	927840-5	C	-	-	-	CuFe2	vorversilbert PRESILVERED													
-	927840-4	C	-	-	-	CuSn4	vorverzinkt PRETINNED													
-	927840-2	C	-	-	-	CuSn4	vorverzinkt PRETINNED													
-	927840-1	C	-	-	-	CuFe2	vorverzinkt PRETINNED													
-	-	-	1-927831-5	C	-	CuFe2	vorversilbert PRESILVERED													
-	-	-	927831-5	C	-	CuFe2	vorversilbert PRESILVERED													
-	-	-	927831-4	C	-	CuSn4	vorverzinkt PRETINNED													
-	-	-	927831-2	C	-	CuSn4	vorverzinkt PRETINNED													
-	-	-	927831-1	C	-	CuFe2	vorverzinkt PRETINNED													
-	-	-	1-927837-5	D	-	CuFe2	vorversilbert PRESILVERED													
-	-	-	927837-6	D	-	CuFe2	vorversilbert PRESILVERED													
-	-	-	927837-5	D	-	CuFe2	vorversilbert PRESILVERED													
-	-	-	927837-4	D	-	CuSn4	vorverzinkt PRETINNED													
-	-	-	927837-2	D	-	CuSn4	vorverzinkt PRETINNED													
-	-	-	927837-1	D	-	CuFe2	vorverzinkt PRETINNED													
1-927829-5	D	-	-	-	-	CuFe2	vorverzinkt PRETINNED													
927829-5	D	-	-	-	-	CuFe2	vorverzinkt PRETINNED													
927829-2	D	-	-	-	-	CuSn4	vorverzinkt PRETINNED													
927829-1	D	-	-	-	-	CuFe2	vorverzinkt PRETINNED													

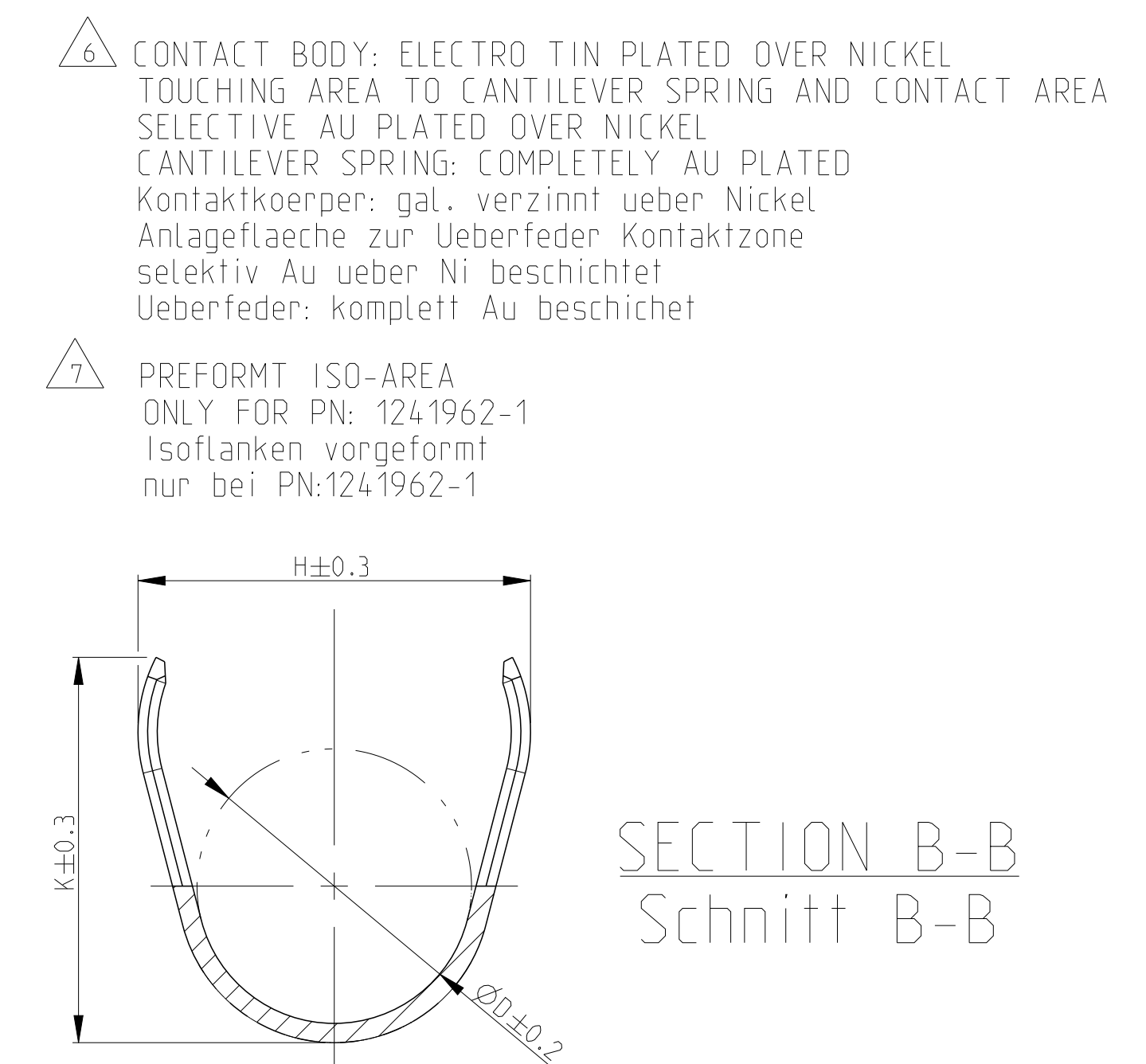


VERSION B (SINGLE WIRE SEAL / Einzel-Dichtungs-System)

TE CONNECTIVITY ORDER - NO	STRIP FORM BANDWARE	REV	TE CONNECTIVITY ORDER - NO	STRIP FORM BANDWARE	REV	MATERIAL	SURFACE	DBB WIRE RANGE (mm²)	WIRE CRIMP DRÄHTCRIMP	INSUL-CRIMP TOOL - CRIMP	CRIMP HEIGHT Crimp-Höhe	APPLICATION TOOL Anschlag-WKZ	HAND TOOL Handzange	A	B	C	D	E	TE CONNECTIVITY ORDER - NO.	TE CONNECTIVITY ORDER - NO.
-	-	-	2-927836-2	C	-	CuSn4	vorverzinkt PRETINNED	0.5 - 1.0 FLR	E = 2.8 G = 3.0 D _b = 1.1	H = 7.6 K = 7.7 D _b = 5.6	0.5mm² = 1.43 0.75mm² = 1.52 1.0mm² = 1.61	MQC- Applicator 878337-2	539635-1 WITH DIE: mit Matrize 739736-2	3	5.4	7.2	20	1.25	963243-1 963244-1	100132-1
-	-	-	927836-2	C	-	CuSn4	vorverzinkt PRETINNED	>1.0 - 2.5 FLR	E = 3.8 G = 4.1 D _b = 1.6	H = 7.6 K = 7.7 D _b = 5.6	1.5mm² = 1.76 2.0mm² = 1.90 2.5mm² = 2.04	MQC- Applicator 878338-2	539635-1 WITH DIE: mit Matrize 539736-2	3.5	5.9	7.7	20	1.25	963244-1 963245-1	100132-1
-	-	-	2-927835-2	C	-	CuSn4	vorverzinkt PRETINNED	>2.5 - 4.0 FLR	E = 4.6 G = 4.8 D _b = 2.4	H = 7.6 K = 7.7 D _b = 5.6	3.0mm² = 2.13 4.0mm² = 2.35	MQC- Applicator 878441-2	539635-1 WITH DIE: mit Matrize 539736-2	4	5.9	7.7	20	1.25	963245-1	100132-1
-	-	-	2-927835-1	C	-	CuSn4	vorverzinkt PRETINNED	>3.0 - 5.0 FLR	E = 4.8 G = 5.2 D _b = 2.5	H = 8.15 K = 7.8 D _b = 6.0	3.0mm² = 2.25 4.0mm² = 2.50 5.0mm² = 2.75	MQC- Applicator -	539635-1 WITH DIE: mit Matrize 539736-2	4	5.9	7.7	20	1.25	967011-1 963245-1	100132-1
1-927835-3	C	-	-	-	-	CuFe2	vorverzinkt PRETINNED													
2-928966-2	D	-	-	-	-	CuSn4	vorverzinkt PRETINNED													
2-928966-1	D	-	-	-	-	CuSn4	vorverzinkt PRETINNED													
1-928966-3	D	-	-	-	-	CuFe2	vorverzinkt PRETINNED													
928966-2	D	-	-	-	-	CuSn4	vorverzinkt PRETINNED													
928966-1	D	-	-	-	-	CuFe2	vorverzinkt PRETINNED													
1241962-1	B	-	-	-	-	CuFe2	vorverzinkt PRETINNED													



- CONTACT ZONE SELECTIVE PRE SILVER PLATED MIN 3-4.5 µm
Kontaktzone selektiv vorversilbert min. 3-4.5 µm
- CONTACT ZONE SELECTIVE PRE SILVER PLATED MIN 1-1.5 µm
Kontaktzone selektiv vorversilbert min. 1-1.5 µm
- CONTACT BODY: ELECTRO TIN PLATED OVER NICKEL CONTACT AREA: GOLD PLATED
Kontaktkoerper: gal. verzinkt ueber Nickel Kontaktzone: vergoldet
- CONTACT BODY: ELECTRO TIN PLATED OVER NICKEL CONTACT AREA: SELECTIVE NICKEL PLATED 2-4 µm
Kontaktkoerper: gal. verzinkt ueber Nickel Kontaktzone: selektiv vernickelt 2-4 µm
- CONTACT BODY: ELECTRO TIN PLATED OVER NICKEL TOUCHING AREA TO CANTILEVER SPRING: SELECTIVE AU PLATED OVER NICKEL CANTILEVER SPRING: COMPLETELY AU PLATED
Kontaktkoerper: gal. verzinkt ueber Nickel Anlageflaeche zur Ueberfeder selektiv Au ueber Ni beschichtet Ueberfeder: komplett Au beschichtet



- WRAP CRIMP ONLY FOR PN: 927839, 927840, 928989 AND 928990
Umfassungscrimp nur bei PN: 927839, 927840, 928989 und 928990
- TRANSITION ONLY FOR PN: 927827, 927828, 927829, 927830, 927833, 927834, 927837, AND 927838
Uebergang nur fuer PN: 927827, 927828, 927829, 927830, 927833, 927834, 927837, und 927838
- 1-3 µm Sn28M LAYER FOR HIGHER TEMPERATURE REQUIREMENTS
1-3 µm Sn28M Schicht fuer hoehere Temperaturanforderungen
- DOTTED LINE IS ALTERNATIVE SHAPE
Gestrichelte Linie alternative Form
- OBSELETE
- SEE APPLICATION SPEC. FOR PREFERRED STANDARD TO MEET NEW REQUIREMENT
BLV214-2 SLOW MOTION BENDING TEST
Siehe Verarbeitungs Spezifikation fuer bevorzugten Standard um den neuen Anforderungen der LV214-2 Slow Motion Pruefung zu genuegen