

4

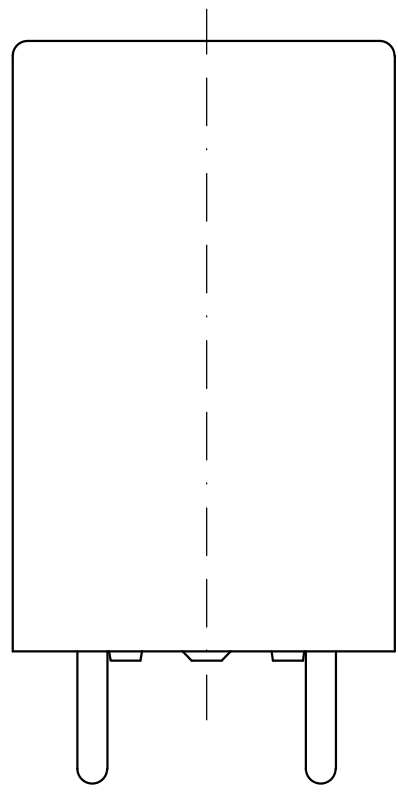
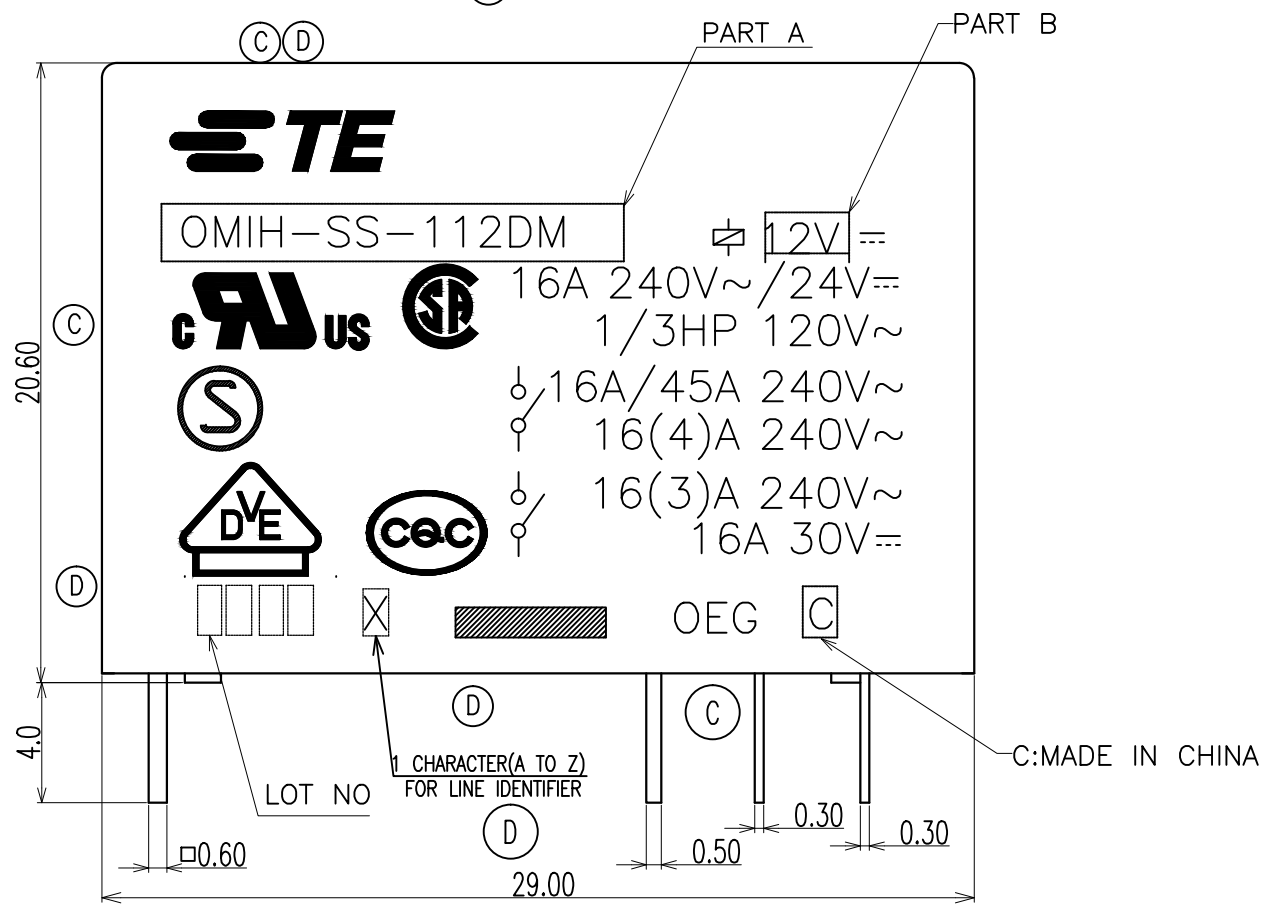
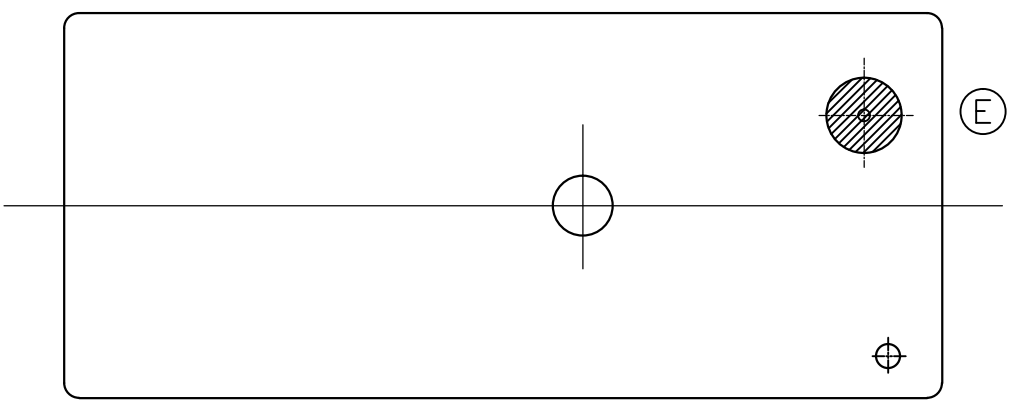
3

2

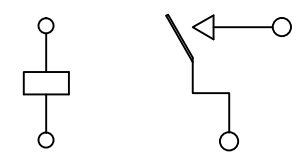
1

THIS DRAWING IS UNPUBLISHED. RELEASED FOR PUBLICATION
© COPYRIGHT - By - ALL RIGHTS RESERVED.

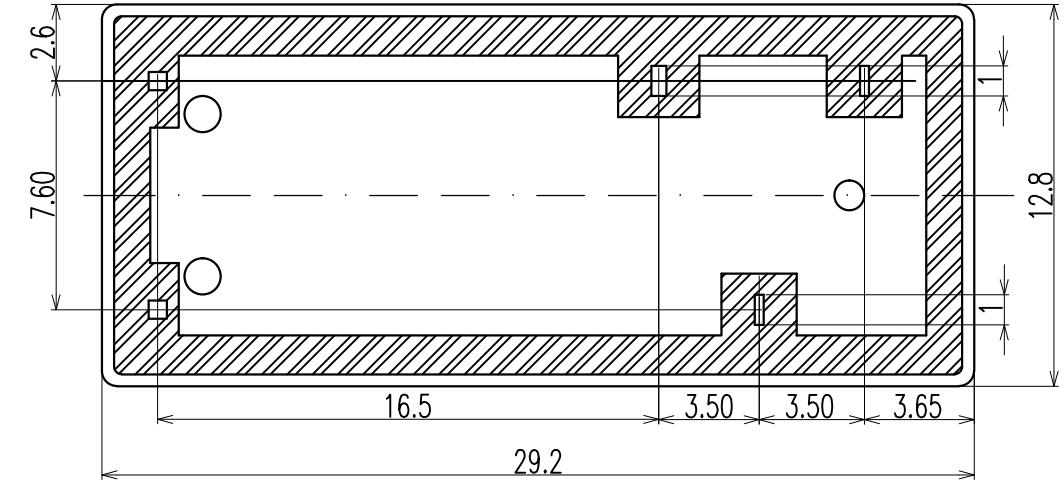
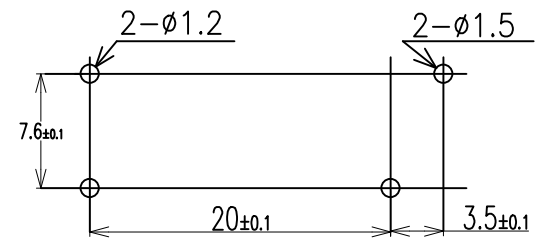
LOC	DIST	REVISIONS						
		P	LTR	DESCRIPTION	DATE	DWN	APVD	
HB	-		D	1.CHANGE LOGO, 2.VENT HOLE SHAPE; 3.ADD TERMINALS PLATING THICKNESS LINE IDENTIFIER	ECO-12-005725	26-JUL-12	D.L	BH.Y
			E	CHANGE THE VENT HOLE SHAPE FROM RECTANGLE TO CIRCLE ONE	ECO-13-015347	16-DEC-13	XL,Y	B,F



CONNECTION DIAGRAM (BOTTOM VIEW)



DRILLING DIAGRAM(2/1) (BOTTOM VIEW)

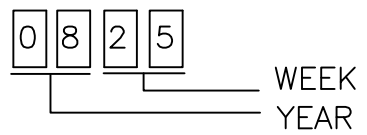


THIS DRAWING IS A CONTROLLED DOCUMENT.		DWN	-		
		CHK	Y.Xiao		
		APVD	N.Funayama		
		PRODUCT SPEC	CH.HSU		
		APPLICATION SPEC	-		
		WEIGHT	-		
		CUSTOMER DRAWING	-		
DIMENSIONS: mm		TOLERANCES UNLESS OTHERWISE SPECIFIED:		NAME	
		0 PLC	±	-	
		1 PLC	±	-	
		2 PLC	±	-	
		3 PLC	±	-	
		4 PLC	±	-	
		ANGLES	±	-	
MATERIAL		FINISH	-		
		SIZE		CAGE CODE	DRAWING NO
		A3		00779	C=5-1419121-7
		SCALE		SHEET	REV
		4:1		1 OF 2	E
		RESTRICTED TO		-	

THIS DRAWING IS UNPUBLISHED. RELEASED FOR PUBLICATION
 © COPYRIGHT - By - ALL RIGHTS RESERVED.

LOC	DIST	REVISIONS					
		P	LTR	DESCRIPTION	DATE	DWN	APVD
HB	-						

NOTES:
 (A1) 1.LOT NO. SYSTEM AS FOLLOWING:



(C) 2.GENERAL TOLERANCE AS FOLLOWING:

TOLERANCE	
0~0.99mm	±0.1
1mm~2.99mm	±0.2
3mm MIN.	±0.3

(C) 3.TERMINAL DIMENSION IS NOT INCLUDING SOLDER TIP.

(D) 4.FOR THE TIN-PLATING OF THE PINS:
 +0.1mm FOR WIDTH,THICKNESS AND DIAMETER.
 +0.5mm FOR LENGTH.

(C)

OMIH-SS-148L	9-1419121-0	OMIH-SS-148L	48V
OMIH-SS-148D	2-1419145-1	OMIH-SS-148D	48V
OMIH-SS-124L	8-1419121-7	OMIH-SS-124L	24V
OMIH-SS-124D	8-1419121-5	OMIH-SS-124D	24V
OMIH-SS-112L	8-1419121-0	OMIH-SS-112L	12V
OMIH-SS-112D	7-1419121-7	OMIH-SS-112D	12V
OMIH-SS-109L	7-1419121-5	OMIH-SS-109L	9V
(B3) OMIH-SH-148L	7-1419121-1	OMIH-SH-148L	48V
OMIH-SH-148D	7-1419121-0	OMIH-SH-148D	48V
OMIH-SH-124L	6-1419121-6	OMIH-SH-124L	24V
OMIH-SH-124D	6-1419121-4	OMIH-SH-124D	24V
OMIH-SH-112L	5-1419121-7	OMIH-SH-112L	12V
OMIH-SH-105L	5-1419121-3	OMIH-SH-105L	5V
(B2) OMIH-SH-105D	1-1419145-6	OMIH-SH-105D	5V
DESCRIPTION	TE PART NO	PART A	PART B

RELAY TYPE

		UV RESIN	UV SEAL	18
			TAPE	17
		EPOXY RESIN	SEAL	16
UL94 V-0		PBT	CASE	15
CLASS E		UEW	MAGNETIC WIRE	14
UL94 V-0		PET	BASE	13
UL94 V-0		PBT	BOBBIN	12
	SOLDER DIP	CP WIRE	COIL TERMINAL	11
UL94 V-0		PPS	CARD	10
		Ag ALLOY	MOVABLE CONTACT	9
		Ag ALLOY	STATIONARY CONTACT	8
		Cu ALLOY	HINGE SPRING	7
	SOLDER DIP	Cu ALLOY	B TERMINAL	6
	SOLDER DIP	Cu ALLOY	M TERMINAL	5
	SOLDER DIP	Cu ALLOY	MOVABLE SPRING	4
		STEEL	CORE	3
		STEEL	ARMATURE	2
		STEEL	YOKE	1
INCOMBUSTIBILITY	TREATMENT	MATERIAL	DESCRIPTION	ITEM

THIS DRAWING IS A CONTROLLED DOCUMENT.		DWN	-	STE TE Connectivity			
		CHK	Y.Xiao				
		APVD	N.Funayama	NAME			
		PRODUCT SPEC	CH.HSU	OMIH CUSTOMER DRAWING			
		APPLICATION SPEC	-	SIZE	CAGE CODE	DRAWING NO	RESTRICTED TO
		WEIGHT	-	A3	00779	C-5-1419121-7	-
CUSTOMER DRAWING				SCALE	4:1	SHEET	2 of 2
						REV	E

DIMENSIONS:	TOLERANCES UNLESS OTHERWISE SPECIFIED:
mm	
	0 PLC ±
	1 PLC ±
	2 PLC ±
	3 PLC ±
	4 PLC ±
	ANGLES ±
MATERIAL	FINISH
	-