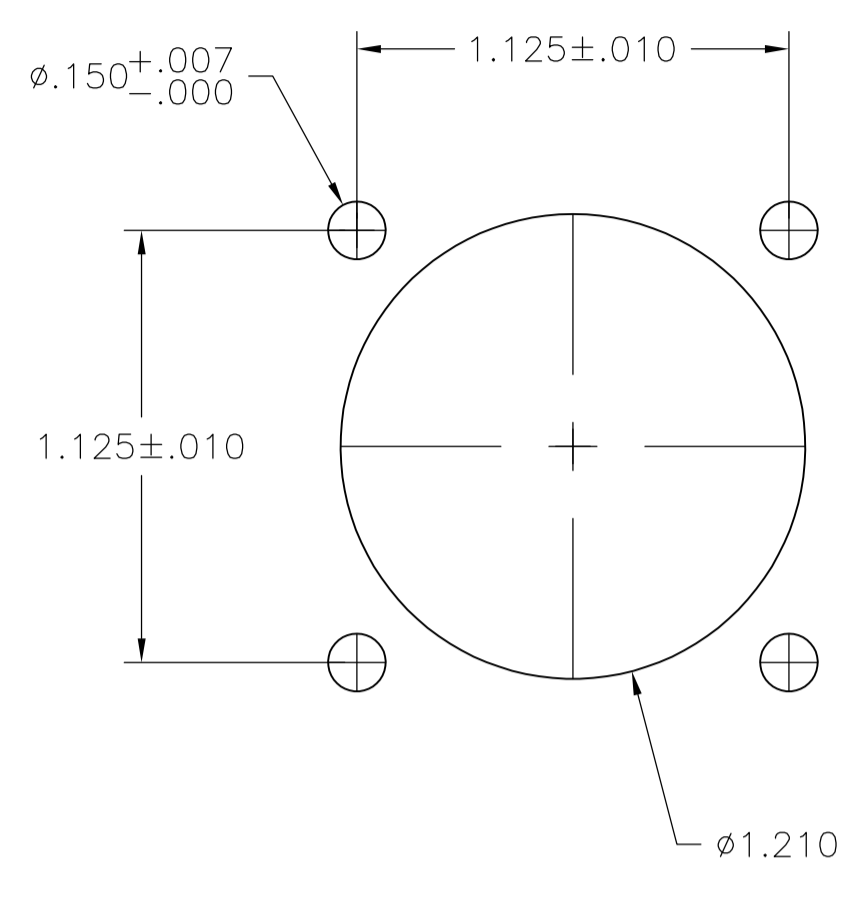
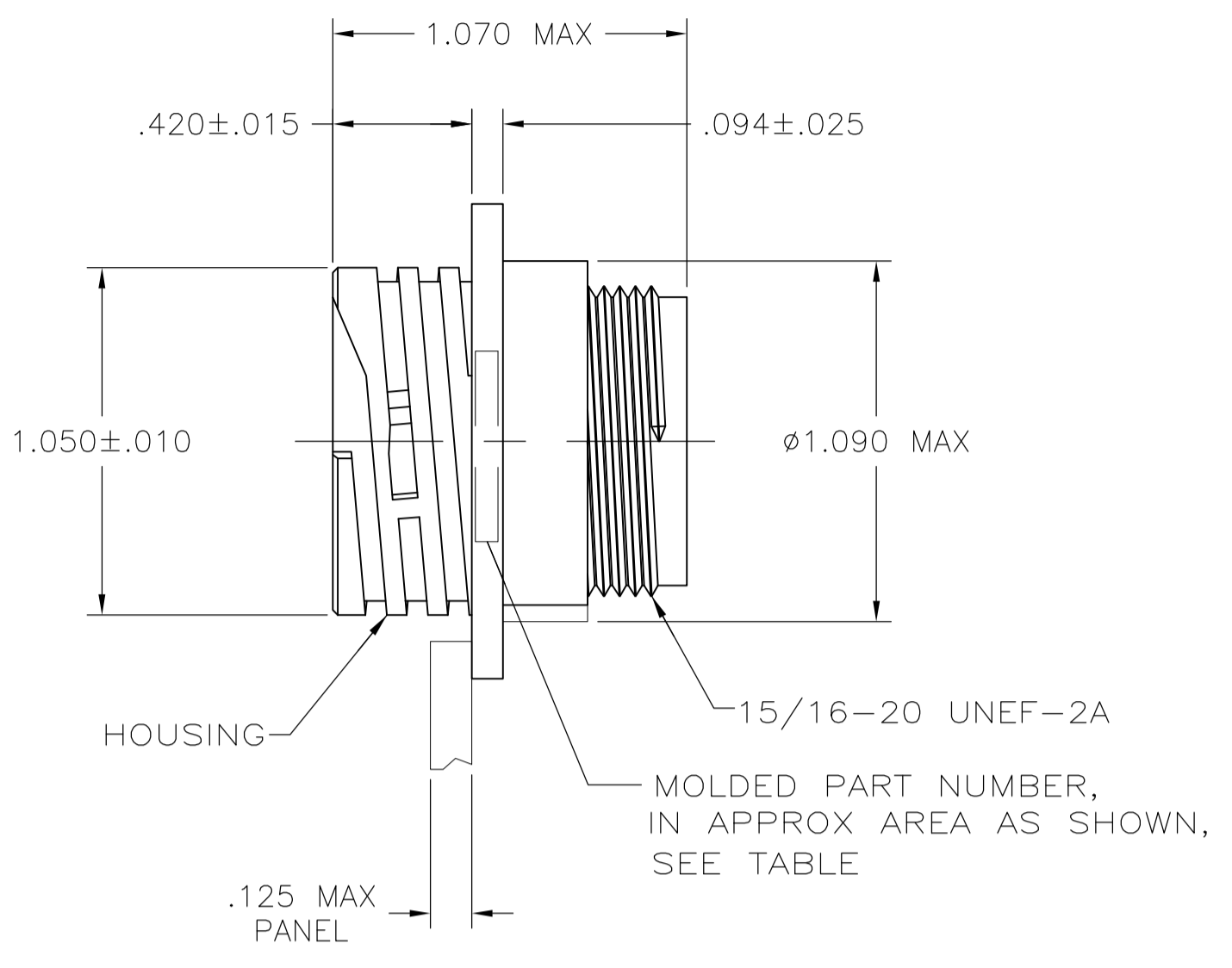
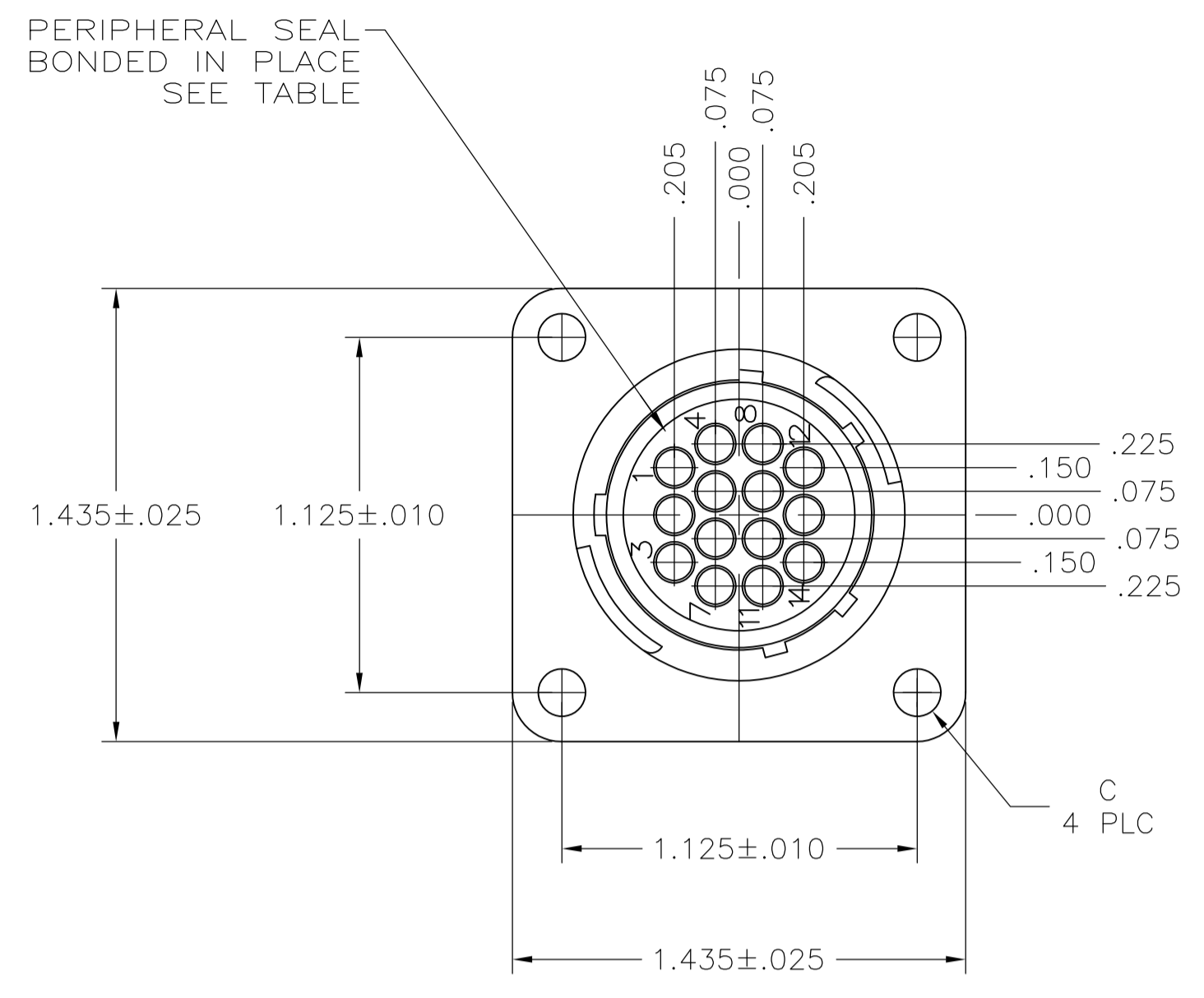
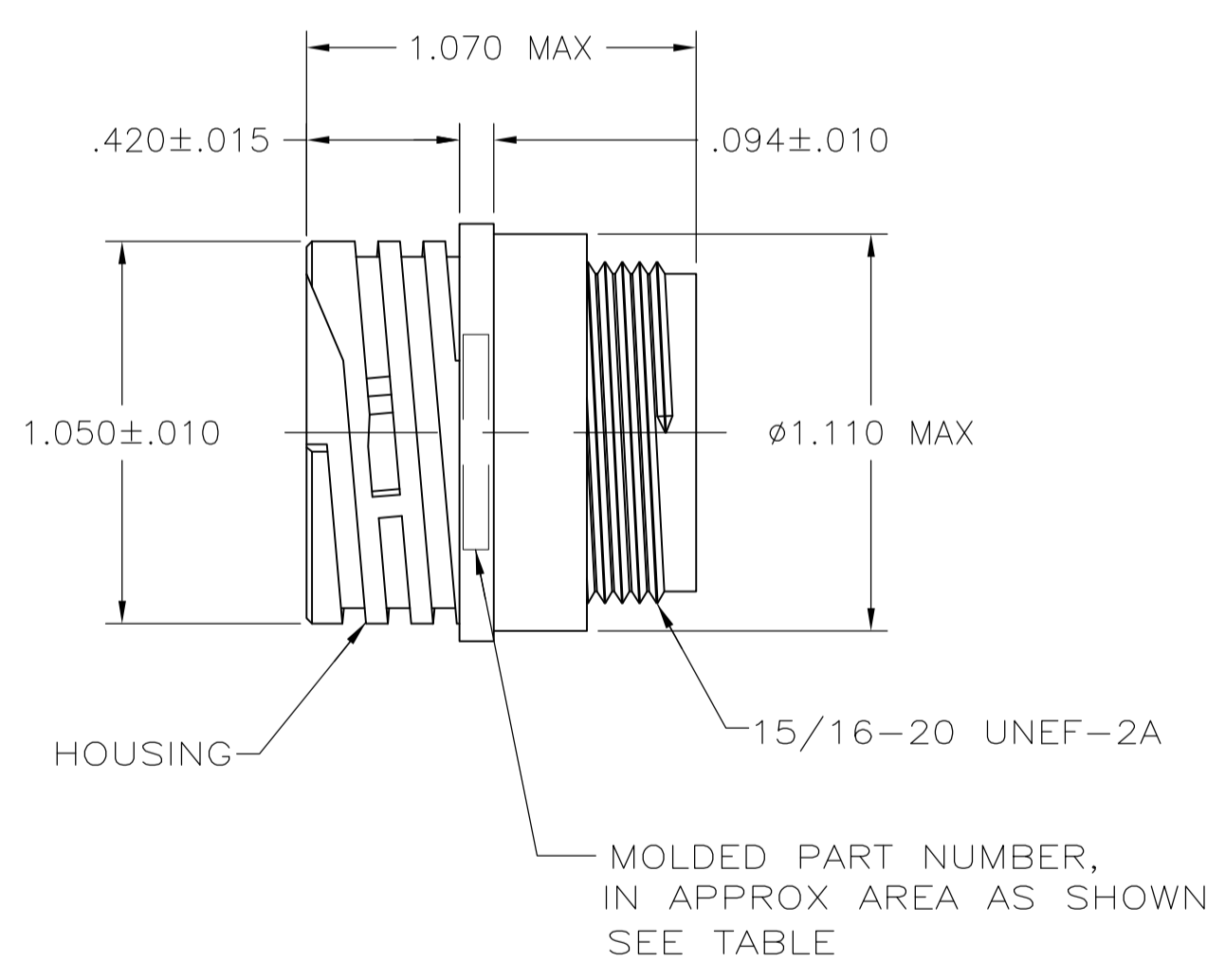
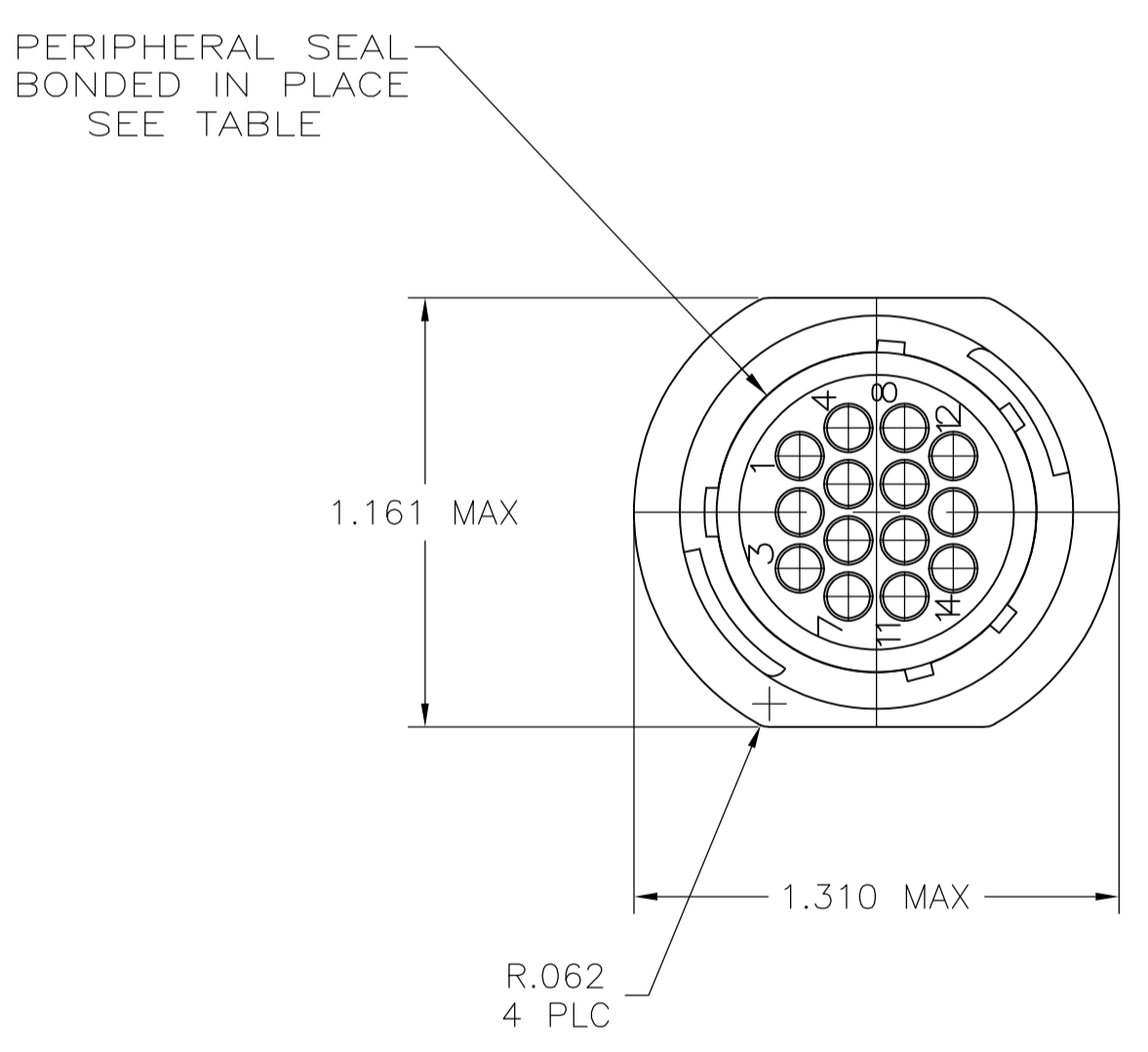


REVISIONS					
P	LTR	DESCRIPTION	DATE	DMN	APVD
S		REVISED PER ECO-12-015521	28SEP12	KH	MZ
T		REVISED PER ECO-17-000037	10MAR2017	RS	MZ



DETAIL A

RECOMMENDED PANEL CUTOUT



DETAIL B

- 1 CAVITY IDENTIFICATION ON FRONT AND REAR FACE.
- 2 WILL ACCEPT FOURTEEN (14) MULTIMATE SOCKET CONTACTS.

OBSOLETE	4-40 THREADED INSERTS	-	STANDARD	YES	A	206043-8
OBSOLETE	$\phi .150$	-	SMALL PACK	NO	A	206043-6
-	-	-	STANDARD	YES	B	206043-5
-	$\phi .150$	-	STANDARD	YES	A	206043-4
-	-	-	STANDARD	NO	B	206043-3
-	$\phi .150$	206043-1	STANDARD	NO	A	206043-1
	DIM C	MOLDED PART NUMBER	PACKAGING	PERIPHERAL SEAL	SEE DETAIL	PART NO.

THIS DRAWING IS A CONTROLLED DOCUMENT.

DIMENSIONS: INCHES	TOLERANCES UNLESS OTHERWISE SPECIFIED:	DWG: W. LENKER 09/10/92	CHK: R. STONE 08/11/93	APVD: -	NAME: -
0 PLC ± -	1 PLC ± -	2 PLC ± 0.13 [.005]	3 PLC ± -	4 PLC ± -	ANGLES ± -
MATERIAL: HOUSING: NYLON BLACK	FINISH: -	SIZE: A1	WEIGHT: -	CAGE CODE: 00779	DRAWING NO: 206043
CUSTOMER DRAWING			SCALE: 2:1	SHEET: 1 OF 1	REV: T

STE TE Connectivity

RECEPTACLE ASSEMBLY, REVERSE SEX, SERIES 1, 17-14, CPC