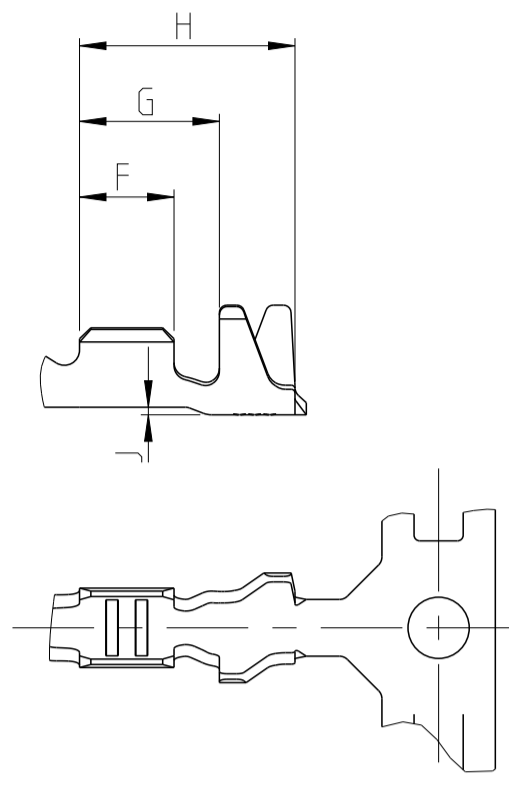
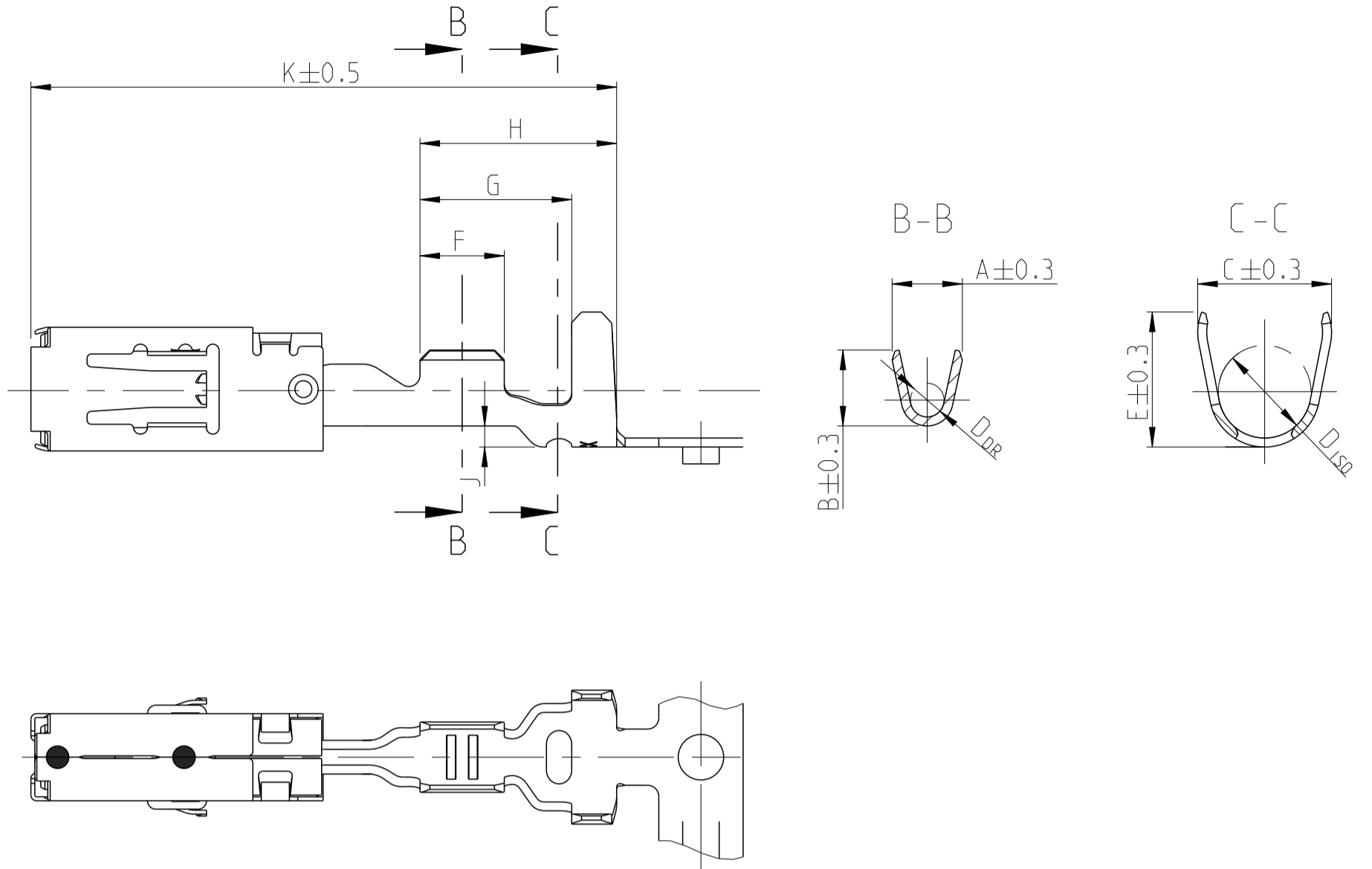


ONLY FOR WIRE SIZE RANGE
Nur fuer DGB
0.2 ... 0.5 mm²



SINGLE WIRE SEAL
Einzeldichtungssystem



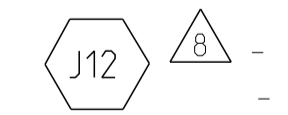
REVISIONS				
P.	LTN.	DESCRIPTION	DATE	DMN. APVD.
J9		DRAWING MISTAKE CORRECTED ECR-14-003309	05MAR2014	Bren Leim
J10		ECR-14-010789	18JUL2014	Joas Leim
J11		NOTE B ADDED. TABLE UPDATE WITH PNs 1-...-4	17MAY2017	MAH. SBEC
J12		PNs 1-968855-4, 1-968857-4, 1-968859-4 OBSOLETE ON DRW.	05MAR2018	MAH. BECK

VERSION	Ausführung	ORDER-NO. STRIP-FORM	REV	BODY	MATERIAL	SPRING	SURFACE	WIRE SIZE RANGE	INSULATION DIAMETER	CRIMP DIMENSIONS / Crimpabmessungen mm											WEIGHT	SINGLE WIRE SEAL	TE CONNECTIVITY NO.	TE CONNECTIVITY NO.	APPLICATION TOOLS				
										A	B	D _{DR}	C	E	D _{ISO}	F	G	H	J	K						g			
										12	3.0 - 3.8	4.0	4.2	2.0	5.0	5.0	3.5	3.5	5.9	7.5	0.8	21.0	0.59	828905-1	828922-1				
										4	3.4 - 3.7	4.5	4.7	2.3	6.0	6.0	4.3	4.3	6.9	8.5	1.25	22.6	0.65	828985-1	828986-1				
										1.5 - 2.5	2.2 - 3.0	3.6	3.8	1.7	5.0	5.0	3.5	3.5	5.9	7.5	0.8	21.0	0.58	828905-1	828922-1				
										0.5 - 1.0	1.4 - 2.1	2.5	2.7	1.2	4.8	4.8	3.3	3.0	5.4	7.0	0.75	21.0	0.54	828904-1	828922-1				
										0.2 - 0.5	1.2 - 1.4	2.1	2.1	0.8	4.5	4.5	3.2	2.5	4.9	6.5	0.75	21.0	0.52	828904-1	828922-1				
										4	2.7 - 3.7	4.5	4.7	2.3	5.7	5.9	3.3	4.3	6.6	8.5	0.8	22.6	0.65	-	-				
										1.5 - 2.5	2.2 - 3.0	3.6	3.8	1.7	4.6	4.8	2.6	3.5	5.1	6.7	0.3	20.2	0.56	-	-				
										0.5 - 1.0	1.4 - 2.1	2.5	2.7	1.2	3.3	3.5	1.8	3.0	4.6	6.2	0.2	20.2	0.51	-	-				
										0.2 - 0.5	1.2 - 1.4	2.1	2.1	0.8	2.9	2.9	1.4	2.5	3.7	5.7	0.2	20.2	0.48	-	-				

SEE APPLICATION SPECIFICATION 114-18148
siehe Verarbeitungsspezifikation 114-18148

NOTES:
Bemerkungen:

- MATING PART SEE INTERFACE DRAWING
TE-NO.: 114-18230-002
Gegenstecker nach Ausfuehrungsvorschrift
TE-Nr.: 114-18230-002
- SURFACE:
- PRE TIN PLATED 1 TO 3 µm
- GOLD PLATED MIN. 2 µm (ONLY CONTACT AREA)
- SILVER PLATED 3 TO 5 µm (ONLY CONTACT AREA)
Oberflaeche:
- verzinkt 1 bis 3 µm
- vergoldet min. 2 µm (nur Kontaktzone)
- versilbert 3 bis 5 µm (nur Kontaktzone)
- DOUBLE CRIMPS ARE ONLY POSSIBLE WITH APPLICATORS AUTHORIZED BY TE (NO HAND TOOL)
SUITABLE TOOLS ON REQUEST
Doppelanschlaege sind nur mit von TE zugelassenen Anschlagwerkzeugen moeglich (keine Handzangen)
passende Werkzeuge auf Anfrage
- GAUGE INSPECTION
Lehrenpruefung
- DETAILS OF DESIGN ARE LEFT TO MANUFACTURER
Einzelheiten der Ausfuehrung bleiben dem Hersteller ueberlassen
- ONLY GERMAN LANGUAGE VERSION SHALL BE BINDING
Massgebend ist der deutsche Text
- PUNCHING OIL RAZIOL CLF 11 SG
Stanzoel:



THIS DRAWING IS A CONTROLLED DOCUMENT.		DMN. S. Blidar 22SEP97		TE Connectivity	
DIMENSIONS: mm		CHK G. Hotea 22SEP97		PRODUCT GROUP DRAWING FOR Tabellenzeichnung fuer AMP MCP 2.8	
TOLERANCES UNLESS OTHERWISE SPECIFIED: ±0.2		APVD J. Woller 22SEP97	NAME		
MATERIAL		108-18513	SIZE		
FINISH		114-18148	CAGE CODE DRAWING NO		
		WEIGHT	RESTRICTED TO		
			SCALE 5:1 SHEET 1 OF 1 REV J12		
			CUSTOMER DRAWING		