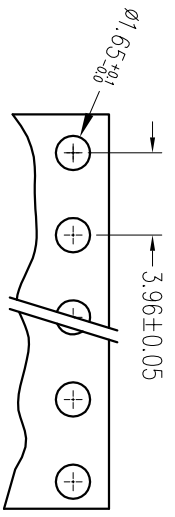
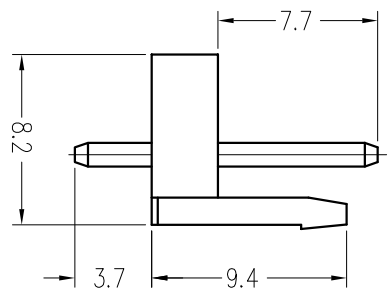
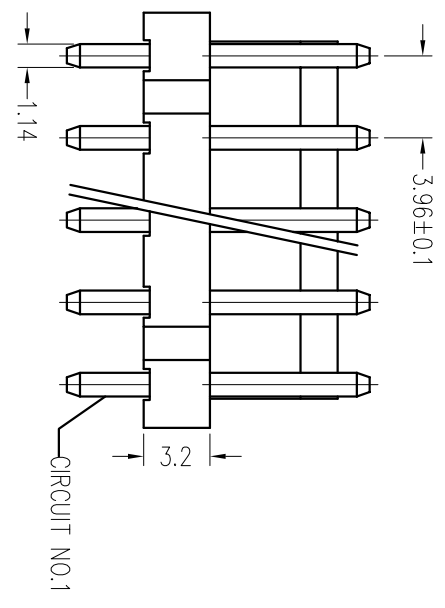
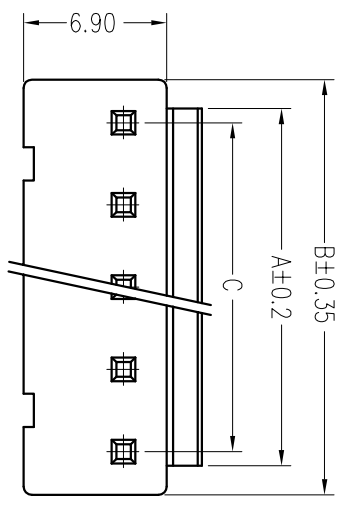


THIS DRAWING IS UNCLASSIFIED		RELEASED FOR DISSEMINATION		ALL RIGHTS RESERVED	
COPYRIGHT © BY -		BY -		88	



RECOMMENDED PCB LAYOUT
(PCB THK=1.0~1.6)
TOLERANCES ARE NON-CUMULATIVE: ±0.10

NOTE:
1.MATERIAL:
HOUSING: NYLON 66 UL 94V-0,COLOR NATURAL
PIN: BRASS
2.FINISH: BRIGHT TIN PLATED
3.ROHS COMPLIANT.
4.BILL OF PART NO:

P/N	POS	A	B	C
1-2834291-1	2	5.30	7.92	3.96
1-2834291-2	3	9.26	11.88	7.92
1-2834291-3	4	13.22	15.84	11.88
1-2834291-4	5	17.18	19.80	15.84
1-2834291-5	6	21.14	23.76	19.80
1-2834291-6	7	25.10	27.72	23.76
1-2834291-7	8	29.06	31.68	27.72
1-2834291-8	9	33.02	35.64	31.68
1-2834291-9	10	36.98	39.60	35.64
2-2834291-1	11	40.94	43.56	39.60
2-2834291-2	12	44.90	47.52	43.56
2-2834291-3	13	48.86	51.48	47.52

THIS DRAWING IS A CONTROLLED DOCUMENT

DESIGNED BY MTH	DESIGNED DATE 18MAR2017	DATE 18MAR2017	SCALE 1:1
DRWING BY MTH	DRWING DATE 18MAR2017	DATE 18MAR2017	SCALE 1:1
CHK BY MTH	CHK DATE 18MAR2017	DATE 18MAR2017	SCALE 1:1
APP BY MTH	APP DATE 18MAR2017	DATE 18MAR2017	SCALE 1:1
REV BY MTH	REV DATE 18MAR2017	DATE 18MAR2017	SCALE 1:1

DATE: 18MAR2017
TIME: 10:30
DRAWN BY: MTH
CHECKED BY: MTH
APPROVED BY: MTH

NOTE 1

TE Connectivity

WTB 3.96MM PITCH V/T DIP TYPE

C-2834291