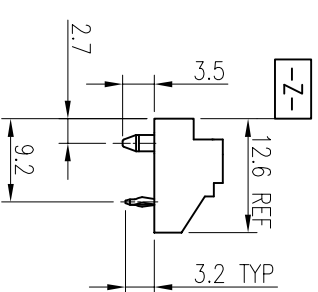
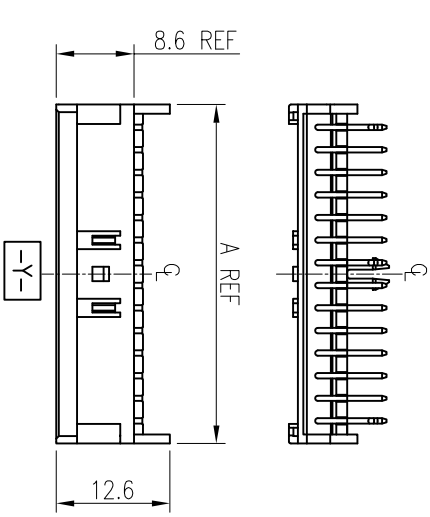
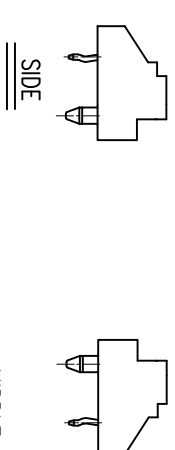
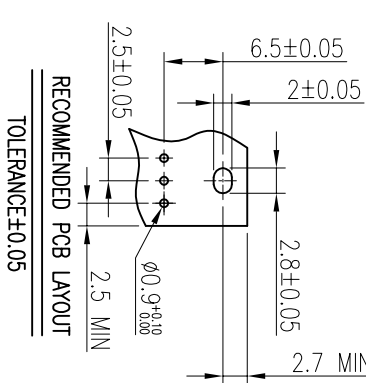


LDC		DIST		REVISIONS		
P	LTR	DESCRIPTION	DATE	DN	APVD	
A		FIRST VERSION	23NOV2016	GF	S.M.	

NOTE:  
 1. MATERIAL:  
 HOUSING: THERMOPLASTIC NYLON66  
 UL94V-0, COLOR-NATURAL  
 CONTACT: COPPER ALLOY.  
 2. CONTACT FINISH:  
 80µ" Min. TIN PLATED OVER 30µ" Min. NICKEL PLATED



47.50	52.50	20	3-2834205-1
45.00	50.00	19	2-2834205-9
42.50	47.50	18	2-2834205-8
40.00	45.00	17	2-2834205-7
37.50	42.50	16	2-2834205-6
35.00	40.00	15	2-2834205-5
32.50	37.50	14	2-2834205-4
30.00	35.00	13	2-2834205-3
27.50	32.50	12	2-2834205-2
25.00	30.00	11	2-2834205-1
22.50	27.50	10	1-2834205-9
20.00	25.00	9	1-2834205-8
17.50	22.50	8	1-2834205-7
15.00	20.00	7	1-2834205-6
12.50	17.50	6	1-2834205-5
10.00	15.00	5	1-2834205-4
7.50	12.50	4	1-2834205-3
5.00	10.00	3	1-2834205-2
2.50	7.50	2	1-2834205-1
DIM B	DIM A	POS	P/N



RECOMMENDED PCB LAYOUT  
 TOLERANCE±0.05

THIS DRAWING IS A CONTROLLED DOCUMENT.

DATE: 23NOV2016	REV: 1
DESIGNED BY: GEORGE EU	APPROVED BY: [Signature]
DRAWN BY: SHI WANG	CHECKED BY: [Signature]
DATE: 23NOV2016	SCALE: 1:1
DESCRIPTION: 250mm PITCH R/A DIP TYPE RECEPTACLE	SHEET: 1 OF 1
SIZE: A2	REV: A
DATE: 11-13-2016	SCALE: 1:1
DESCRIPTION: 250mm PITCH R/A DIP TYPE RECEPTACLE	SHEET: 1 OF 1
SIZE: A2	REV: A

STE TE Connectivity