

THIS DRAWING IS UNPUBLISHED.

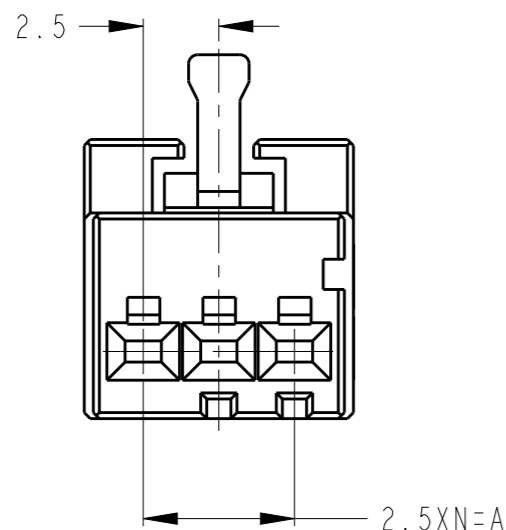
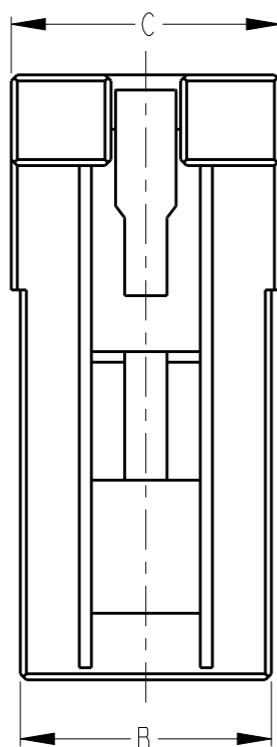
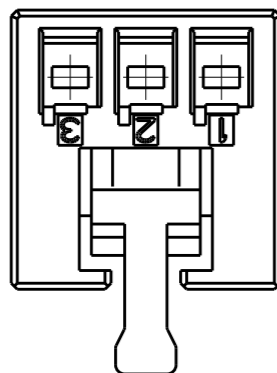
RELEASED FOR PUBLICATION

2018

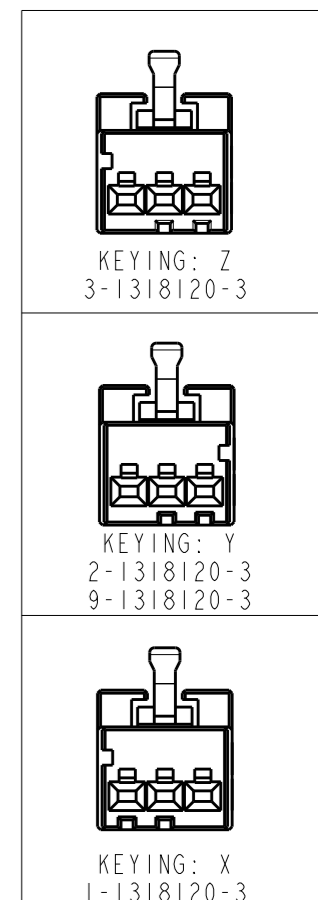
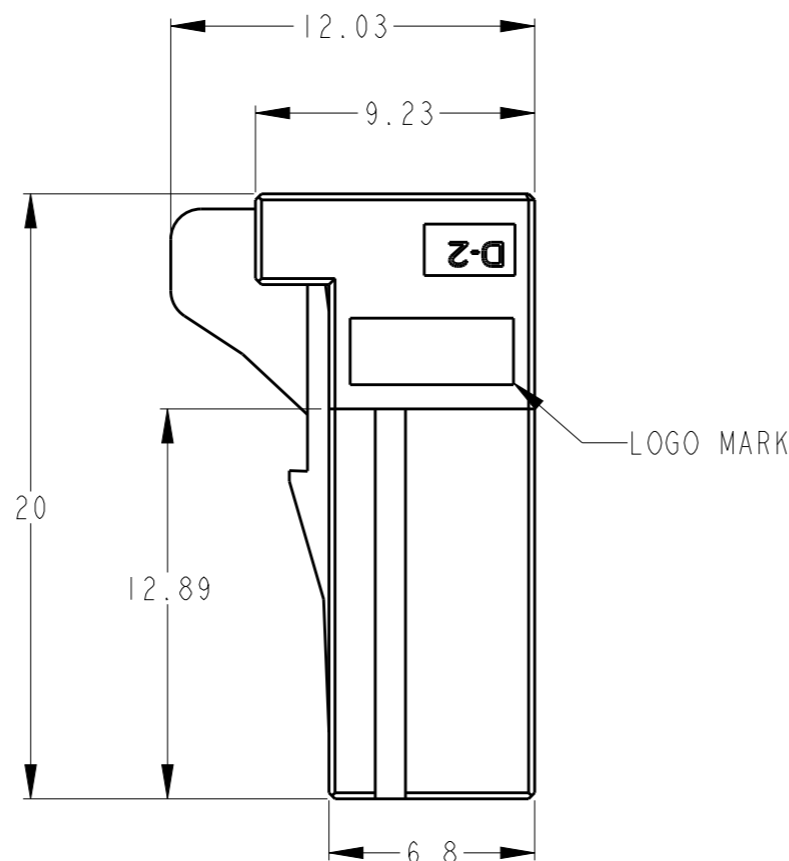
© COPYRIGHT 2018 BY Tyco Electronics Japan G.K. ALL RIGHTS RESERVED.

REVISIONS

P	LTR	DESCRIPTION	DATE	DWN	APVD
F		REVISED PER ECR-18-000402	10JAN2018	M. J	I. E



△ MATERIAL: HOUSING: GLASS FILLED THERMO PLASTIC POLYESTER(94V-0)
 COLOR: 1- /2- /3- : BLACK
 : 9- : NATURAL



	8.9	8.3	5	2	3	9-1318120-3
	8.9	8.3	5	2	3	3-1318120-3
OBSOLETE	8.9	8.3	5	2	3	5-1318120-3
	8.9	8.3	5	2	3	2-1318120-3
	8.9	8.3	5	2	3	1-1318120-3
FINISH	C	B	A	N	POS	PART NUMBER

THIS DRAWING IS A CONTROLLED DOCUMENT.

DWN: K. IKEDA 07DEC1998
 CHK: N. MATSUBARA 07DEC1998
 APVD: I. HASEGAWA 07DEC1998

STE TE Connectivity

NAME: SINGLE ROW REC HSG DYNAMIC D-2100D

PRODUCT SPEC: 108-5619
 APPLICATION SPEC: 114-5258

SIZE: A3 CAGE CODE: 00779 DRAWING NO: C-1318120 RESTRICTED TO: -

MATERIAL: △ FINISH: - WEIGHT: -

CUSTOMER DRAWING SCALE: 4:1 SHEET: 1 OF 1 REV: F