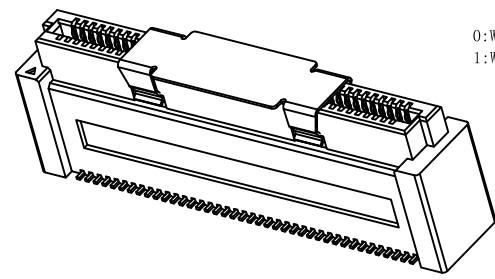
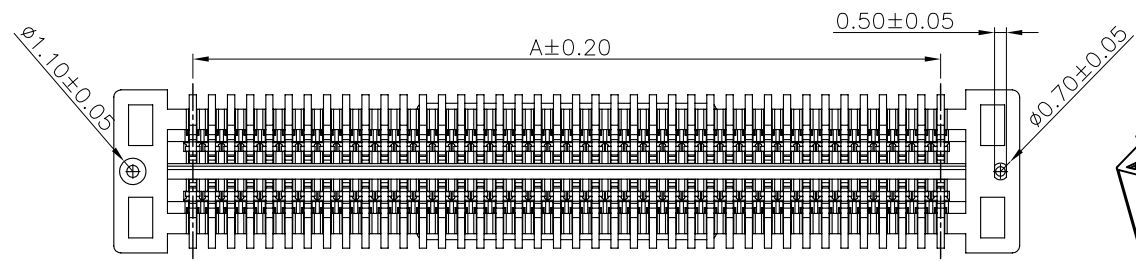
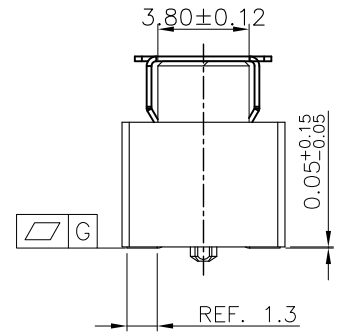
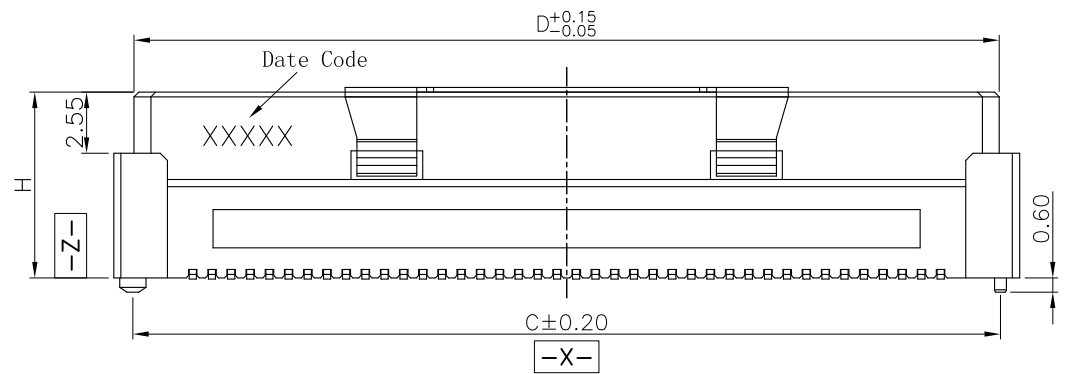
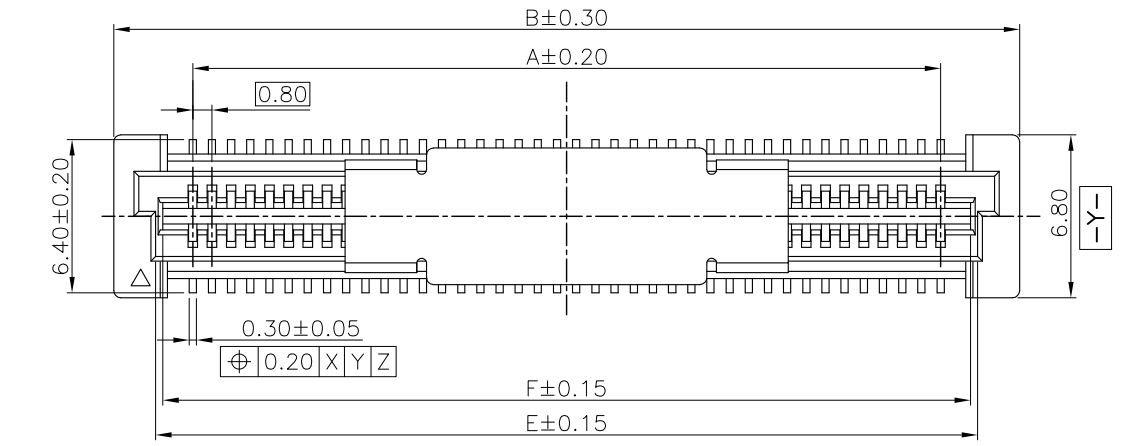


REV.	ECN Number	Description	Drawn
1	E17070069	RELEASE	XPG_2017.07.20
②	E18030021	ADD PART NUMBER	XPG_2018.03.26



- NOTES: (UNLESS OTHERWISE SPECIFIED)
- DIMENSION SHALL BE INTERPRETED PER ANSI Y14.5M-1994.
 - MATERIAL:
HOUSING MATERIAL: HIGH TEMPERATURE PLASTICS.
CONTACT MATERIAL: COPPER ALLOY,
VACUUM COVER MATERIAL: STAINLESS STEEL.
 - ELECTRICAL SPECIFICATION:
CONTACT RESISTANCE: 50 m ohms Max(Initial).
INSULATION RESISTANCE: 100M ohms Min.
CURRENT RATING: 0.5A.
DIELECTRIC WITHSTANDING VOLTAGE: 500V AC rms./minute
 - MECHANICAL SPECIFICATION:
DURABILITY:30 CYCLES.
INSERTION FORCE: 150gf Max. PER PIN.
WITHDRAWAL FORCE: 25gf Min. PER PIN.
 - PRODUCT NUMBER MATRIX:

B A 4 2-XX X T-X X -X H X
 BTB Series code
 0.80 Pitch
 Receptacle
 PIN No.
 40°80:40°80PIN
 A0:100PIN ; G0:160PIN
 C0:120PIN ; I0:180PIN
 E0:140PIN ; K0:200PIN
 Height
 B: H=7.75mm
 C: H=11.75mm
 Soldering Type
 T:SMT
 0:Without Chamfer
 1:With Chamfer
 Housing Color
 Null:Nature
 B:Black

Packing:
 B:REEL+MPAD
 Q:HOT SEALING REEL+MPAD
 H:Halogen free
 Plating

Definition	Code
⊙Matte Tin plated	A
⊙Bright Tin plated	V
⊙Gold plated over all	
Flash B 1u" R 3u" C	
5u" D 10u" E 15u" F	
20u" G 25u" H 30u" J	
⊙Duplex plated	
flash K 1u" S 3u" L	
5u" M 10u" N 15u" P	
20u" Q 25u" T 30u" U	
⊙All plated is lead free.	



ShenZhen ShenTai weixiang Electronics Co., Ltd.

TOLERANCE UNLESS OTHERWISE SPECIFIED			
X.X	±0.30	X.°	±3°
X.XX	±0.20	X.X°	±2°
X.XXX		X.XX°	±1°

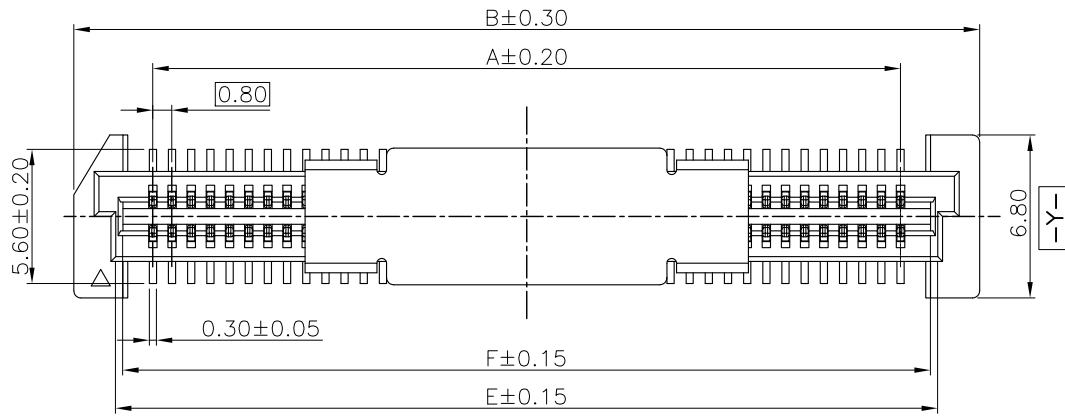
SCALE	1:1
UNIT	mm
SIZE	A4

ORIGINAL DRAWN:	Xu Peiguang	DATE	2018.03.26
CHECK:	Xie Yong	DATE	2018.03.26
APPROVE:	Ady Zhou	DATE	2018.03.26

DWG. NO.	600-0000-0223
PARTS NO. (INTENDED USE)	BA42-XXXT-XX-XHX

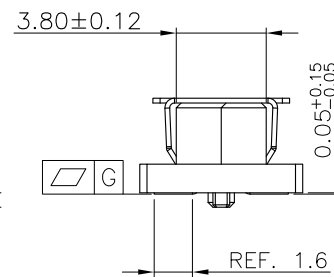
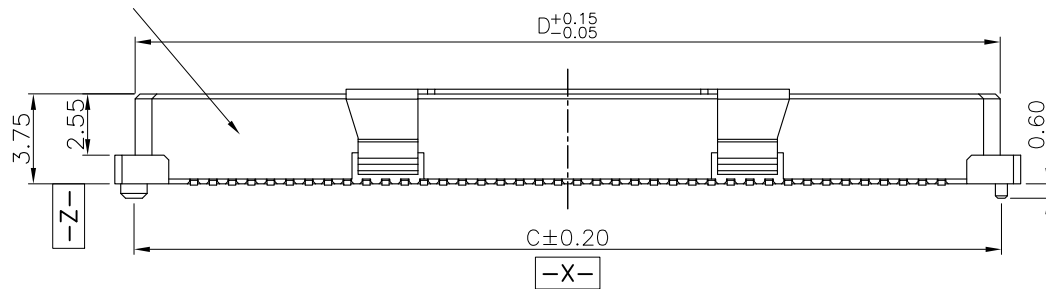
TITLE	BA42 CUSTOMER DRAWING
-------	-----------------------

REV.	2
SHEET	1/3



- NOTES: (UNLESS OTHERWISE SPECIFIED)
- DIMENSION SHALL BE INTERPRETED PER ANSI Y14.5M-1994.
 - MATERIAL:
 - HOUSING MATERIAL: HIGH TEMPERATURE PLASTICS.
 - CONTACT MATERIAL: COPPER ALLOY,
 - VACUUM COVER MATERIAL: STAINLESS STEEL.
 - ELECTRICAL SPECIFICATION:
 - CONTACT RESISTANCE: 50 m ohms Max(Initial).
 - INSULATION RESISTANCE: 100M ohms Min.
 - CURRENT RATING: 0.5A.
 - DIELECTRIC WITHSTANDING VOLTAGE: 500V AC rms./minute
 - MECHANICAL SPECIFICATION:
 - DURABILITY:30 CYCLES.
 - INSERTION FORCE: 150gf Max. PER PIN.
 - WITHDRAWAL FORCE: 25gf Min. PER PIN.
 - PRODUCT NUMBER MATRIX:

Not enough space to print date code



Series code: B A 4 2-XX X T-X X -X H X

Receptacle: 0.80 Pitch

PIN No.:

- 40~80: 40~80PIN
- A0: 100PIN ; G0: 160PIN
- C0: 120PIN ; I0: 180PIN
- E0: 140PIN ; K0: 200PIN

Height: A: H=3.75mm

Soldering Type:

- T: SMT
- 0: Without Chamfer
- 1: With Chamfer

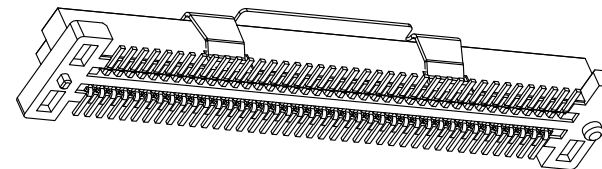
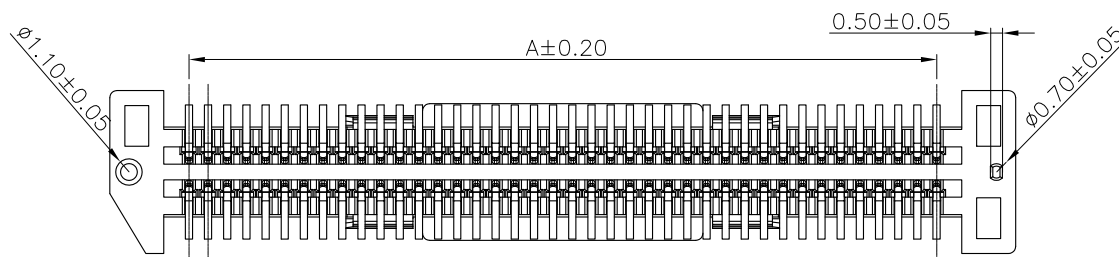
Housing Color:

- Null: Nature
- B: Black

Packing:

- B: REEL+MPAD
- Q: HOT SEALING REEL+MPAD
- H: Halogen free
- Plating

Definition	Code
⊙ Matte Tin plated	A
⊙ Bright Tin plated	V
⊙ Gold plated over all	
flash B 1u" R 3u" C	
5u" D 10u" E 15u" F	
20u" G 25u" H 30u" J	
⊙ Duplex plated	
flash K 1u" S 3u" L	
5u" M 10u" N 15u" P	
20u" Q 25u" T 30u" U	
⊙ All plated is lead free.	



ShenZhen ShenTai weixiang Electronics Co., Ltd.

TOLERANCE UNLESS OTHERWISE SPECIFIED

X. X	±0.30	X. °	±3°
X. XX	±0.20	X. X°	±2°
X. XXX		X. XX°	±1°

SCALE	1:1
UNIT	mm
SIZE	A4

ORIGINAL DRAWN: Xu Peiguang
 DATE: 2018.03.26
 CHECK: Xie Yong
 DATE: 2018.03.26
 APPROVE: Ady Zhou
 DATE: 2018.03.26

DWG. NO. 600-0000-0223
 DATE: 2018.03.26

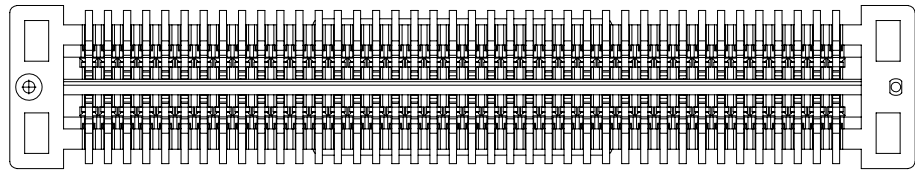
PARTS NO. (INTENDED USE)
 BA42-XXXT-XX-XXH

TITLE
 BA42
 CUSTOMER DRAWING

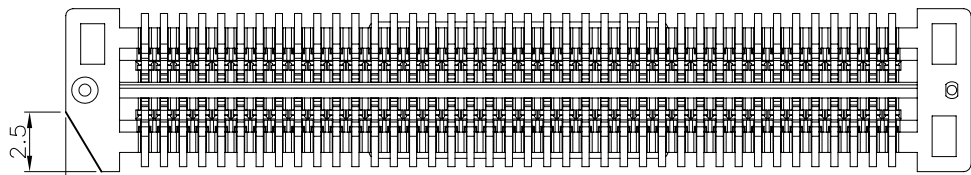
REV. 2
 SHEET 2/3

PRODUCT NUMBER MATRIX: BA42-XXXT-XX-XHX

0: Without Chamfer
1: With Chamfer



BA42-XXXT-0X-XHX



BA42-XXXT-1X-XHX

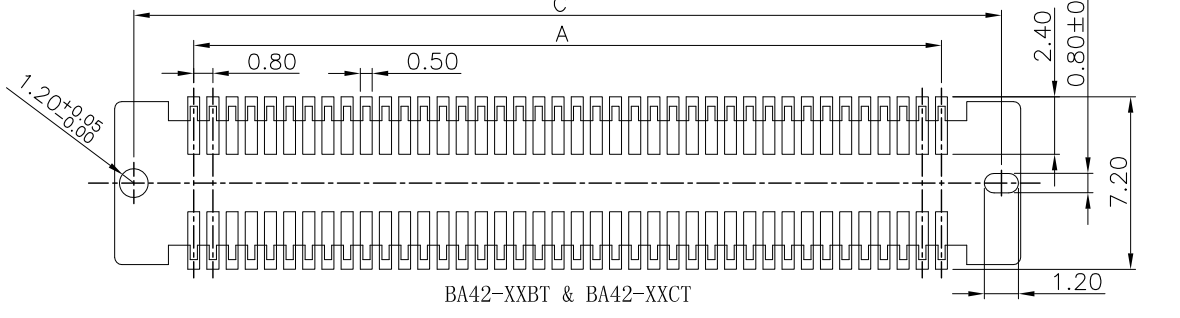


OLD AND PART NO. COMPARISON	
OLD	NEW
ZIV-40S4-VN-1-B	BA42-40CT-0-NHB
ZIV-80S4-N-1-B	BA42-80CT-0-NHB
ZIV80S4N1B	
AB42-80NB-H-003	
AB42-80NB-1-003	BA42-80CT-1-NHB
ZIV-40S5-N-1-B-S01	BA42-40BT-1-NHB
ZIV-80S5-N-1-B-S01	BA42-80BT-1-NHB
AB42-80NB-H-001	BA42-80AT-1-NHB
AB42-A0NB-H-002	BA42-A0BT-0-NHB

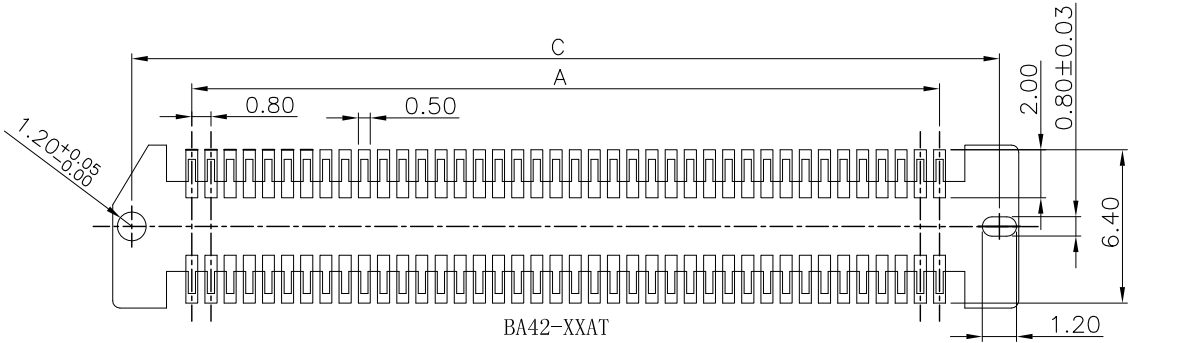


RECOMMENDED PCB LAYOUT

TOLERANCE ± 0.05



BA42-XXBT & BA42-XXCT



BA42-XXAT

PIN NO.	CIRCUITS	DIM.A	DIM.B	DIM.C	DIM.D	DIM.E	DIM.F	DIM.G
20	20PIN	7.20	13.80	12.80	12.10	10.7	9.70	0.10
40	40PIN	15.20	21.80	20.20	20.10	18.7	17.7	
60	60PIN	23.20	29.80	28.20	28.10	26.7	25.7	
80	80PIN	31.20	37.80	36.20	36.10	34.7	33.7	
A0	100PIN	39.20	45.80	44.20	44.10	42.7	41.7	0.12
C0	120PIN	47.20	53.80	52.20	52.10	50.7	49.7	
E0	140PIN	55.20	61.80	60.20	60.10	58.7	57.7	
G0	160PIN	63.20	69.80	68.20	68.10	66.7	65.7	
I0	180PIN	71.20	77.80	76.20	76.10	74.7	73.7	
K0	200PIN	79.20	85.80	84.20	84.10	82.7	81.7	



ShenZhen ShenTai weixiang Electronics Co., Ltd.

TOLERANCE UNLESS OTHERWISE SPECIFIED			
X.X	±0.30	X.°	±3°
X.XX	±0.20	X.X°	±2°
X.XXX		X.XX°	±1°

SCALE	1:1
UNIT	mm
SIZE	A4

ORIGINAL DRAWN: Xu Peiguang
DATE: 2018.03.26
CHECK: Xie Yong
DATE: 2018.03.26
APPROVE: Ady Zhou
DATE: 2018.03.26

DWG. NO.

600-0000-0223

PARTS NO. (INTENDED USE)

BA42-XXXT-XX-XHX

TITLE

BA42
CUSTOMER DRAWING

REV.

2

SHEET

3/3