

REV.	ECN Number	Description	Drawn
1	CS17010033	RELEASE	2016. 12. 10
2	E17060044	新增规格料号	2017. 06. 20

Specifications

Current Rating: 0.5Amp
Voltage Rating: 60V AC/DC
Insulation Resistance: 1000M Ω/Min.
Dielectric Withstanding: 250V AC/DC
Operating Temperature: -55° C to +85° C
Contact Material: Copper Alloy
Insulation Material: Polyester, UL 94V-0
All materials should comply with the "RoHS" requirement
Product Number Matrix:

BA41-XX X T-9W-X H R

PIN/No. 80=80Pin

Height Options:
A=2.72mm Height
B=3.72mm Height
C=4.72mm Height

T=SMT

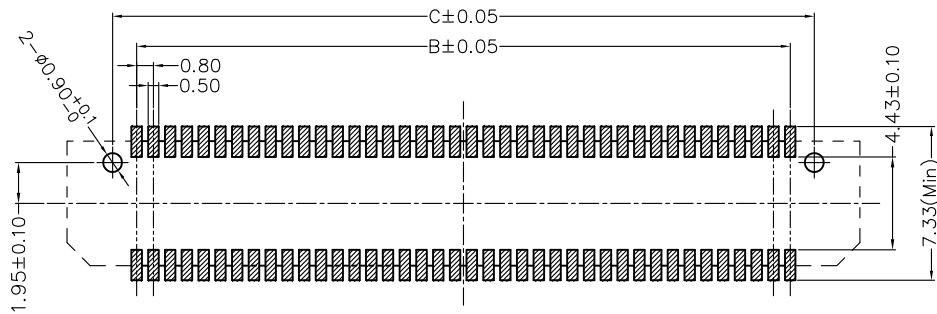
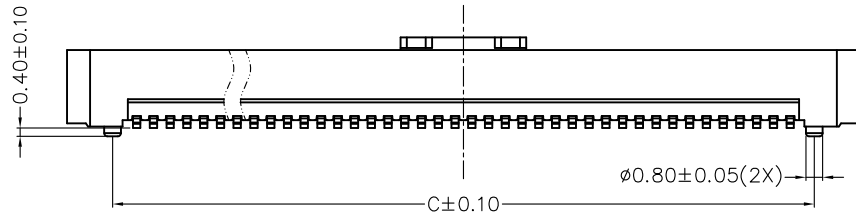
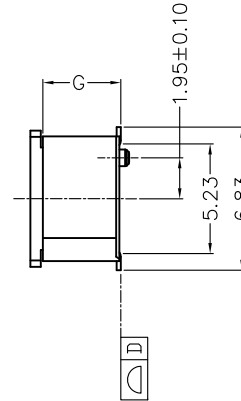
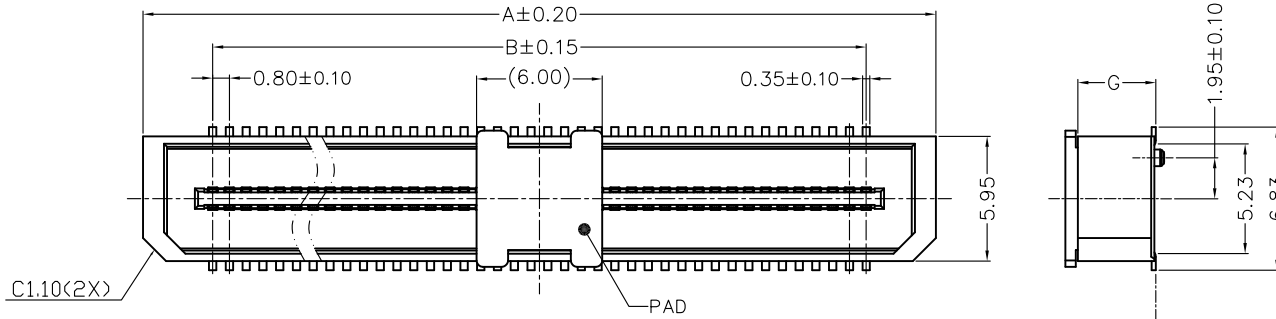
W=White
B=Black

Packing R: REEL+PAD
M: TRAY+PAD

Null: Thermoplastic
H: Halogen Free
F: High Temperature Thermoplastic

Contact Plating

Definition	Code
⊙ Matte Tin plated	A
⊙ Bright Tin plated	V
⊙ Gold plated	
flash B 1u" R 3u" C	
5u" D 10u" E 15u" F	
20u" G 25u" H 30u" J	
⊙ Duplex plated	
flash K 1u" S 3u" L	
5u" M 10u" N 15u" P	
20u" Q 25u" T 30u" U	
⊙ All plated is lead free.	



Recommended P. C. Board Layout (Tolerance: ±0.05)

Dimensions

No. of Contacts	A	B	C	D
16	10.05	5.6	7.9	0.10
20	11.65	7.2	9.5	0.10
24	13.25	8.8	11.1	0.10
26	14.05	9.6	11.9	0.10
30	15.65	11.2	13.5	0.10
40	19.65	15.2	17.5	0.10
50	25.85	19.2	21.5	0.10
60	29.85	23.2	25.5	0.15
80	37.85	31.2	33.5	0.15
100	45.85	39.2	41.5	0.15

Height Option	Dim G
A	2.72
B	3.72
C	4.72



ShenZhen ShenTai weixiang Electronics Co., Ltd.

TOLERANCE UNLESS OTHERWISE SPECIFIED

	±0.30	X. °	±3°
X. X			
X. XX	±0.20	X. X°	±2°
X. XXX	±0.10	X. XX°	±1°

SCALE	1:1
UNIT	mm
SIZE	A4

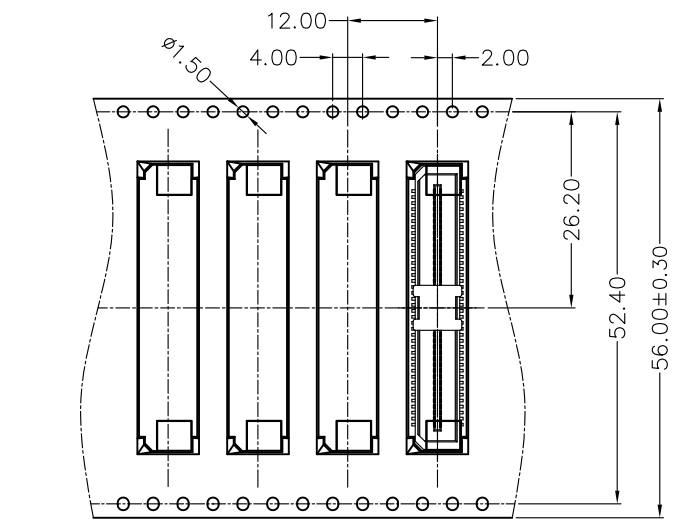
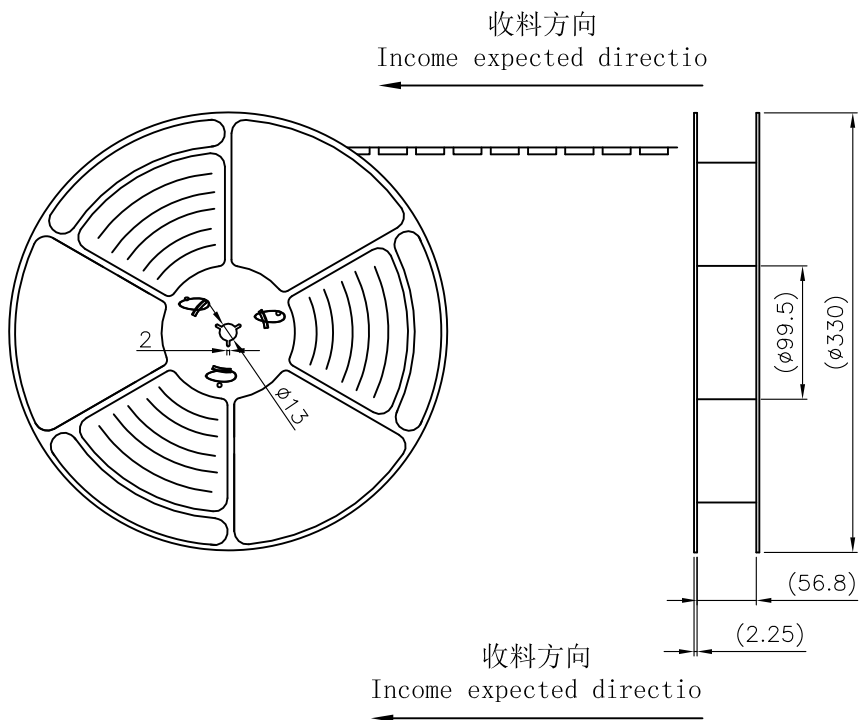


ORIGINAL DRAWN: Xie Yong
DATE: 2017. 06. 20
CHECK: Yanghong
DATE: 2017. 06. 20
APPROVE: Ady zhou
DATE: 2017. 06. 20

DWG. NO. 600-0000-0189
PARTS NO. (INTENDED USE) BA41-XXXT-9W-XHR

TITLE: CUSTOMER DRAWING 0.80PH, BTB PLUG

REV. 2
SHEET 1/3

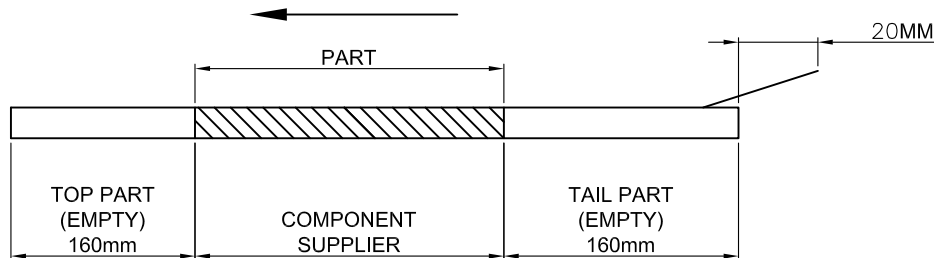


NOTES

1. 每卷包装数量及每箱装箱数量如下表格。
Packing q'ty of each reel & carton as below table shown.

2. 带子引导长度。
Lead tape length.

收料方向
Income expected direction



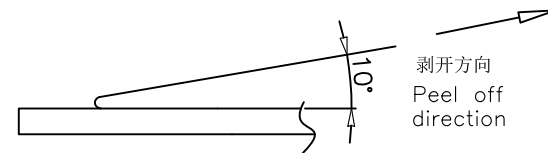
3. 上带剥拉力为: 0.1~1.3N(10.2gf~130gf)
Peeling off force of top tape: 0.1~1.3N(10.2gf~130gf)

出货运输过程中一定注意:

This requirement should be applied at shipment:

卷带在运输过程中不能散开

Peeling off should not be allowed during transportation.



ShenZhen ShenTai weixiang Electronics Co., Ltd.

TOLERANCE UNLESS OTHERWISE SPECIFIED

X.X	±0.30	X.°	±3°
X.XX	±0.20	X.X°	±2°
X.XXX		X.XX°	±1°

SCALE 1:1

UNIT mm

SIZE A4



ORIGINAL DRAWN: Xie Yong

CHECK: Yanghong

APPROVE: Ady zhou

DATE 2017.06.20

DATE 2017.06.20

DATE 2017.06.20

DWG. NO.

600-0000-0189

PARTS NO. (INTENDED USE)

BA41-XXXT-9W-XHR

TITLE

CUSTOMER DRAWING
0.80PH, BTB PLUG

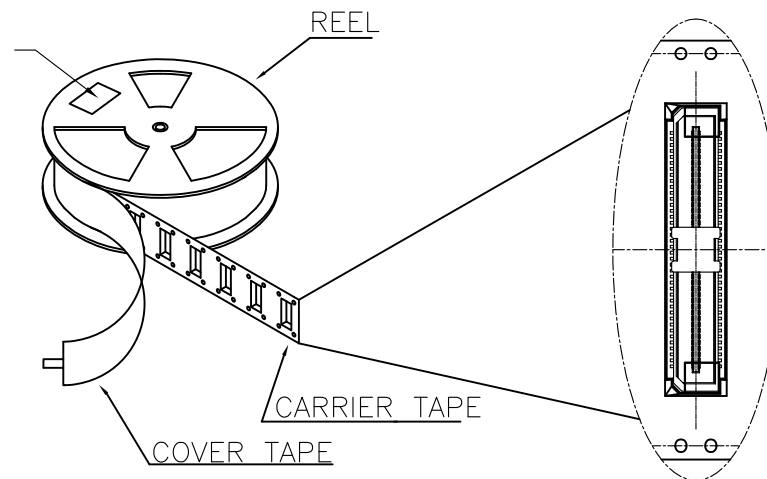
REV.

2

SHEET

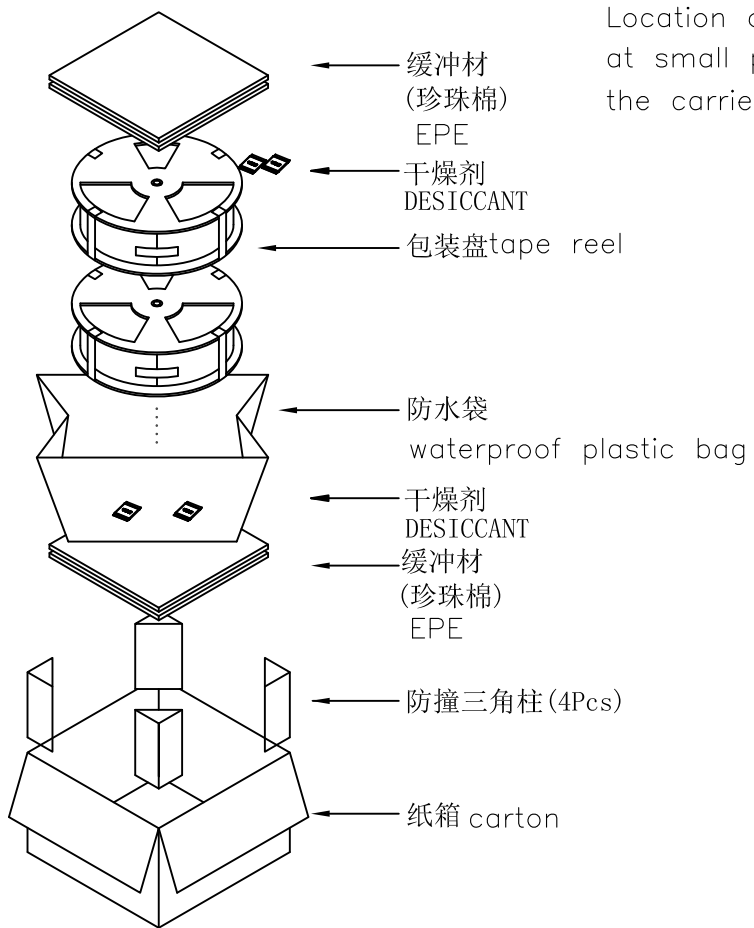
2/3

标签黏贴处 (朝卷装包材的小定位孔一侧)
 Location of label sticking (label at small positioning hole of the carrier tape side).



NOTE:

1. 每卷包装数量及每箱装箱数量如下表格。
 Packing q'ty of each reel & carton as below table shown.
2. 每个PE防水袋放入产品后，上下各放2包干燥剂
 Each PE tape into product, the top and bottom of each put 2 bags of desiccant.
3. 以上胶带覆盖下包装带经包装机包装。
 Use cover tape to cover and seal up.
4. 每个纸箱放2个珍珠棉
 Every carton use 2pcs EPE.
5. 将装满产品的卷盘放入纸箱并以胶带封口。
 Put reels in the carton and use adhesive tape to seal up.



产品料号 (PRODUCT No.)	包装数量 (PACKING CAPACITY)		
	PCS/REEL	REELS/CARTON	PCS/CARTON
BA41-XXXT-9W-XHR	1000	4	4000



TOLERANCE UNLESS OTHERWISE SPECIFIED			
X. X	±0.30	X. °	±3°
X. XX	±0.20	X. X°	±2°
X. XXX		X. XX°	±1°

SCALE	1:1
UNIT	mm
SIZE	A4

ORIGINAL DRAWN:	Xie Yong
CHECK:	Yanghong
APPROVE:	Ady zhou

DATE	2017. 06. 20
DATE	2017. 06. 20
DATE	2017. 06. 20

DWG. NO.	600-0000-0189
PARTS NO. (INTENDED USE)	BA41-XXXT-9W-XHR

TITLE	CUSTOMER DRAWING 0.80PH, BTB PLUG
-------	--------------------------------------

REV.	2
SHEET	3/3