

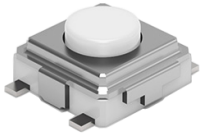
# TACT SWITCH

**Operation:** SMT/贴片式 微型 轻触开关 [柄长/操作力可定制]



**LTEM NO.:** TS-1187F-\*\*\* \*\* (Series)

(L3.40mm × W3.40mm TACT-SWITCH)



表面贴装 SMT

正向操作 DOWN

精密部品 NICETY

可靠 STABILIZE

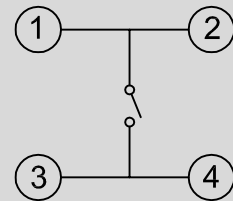
適合環保 RoHS

## Technical parameter

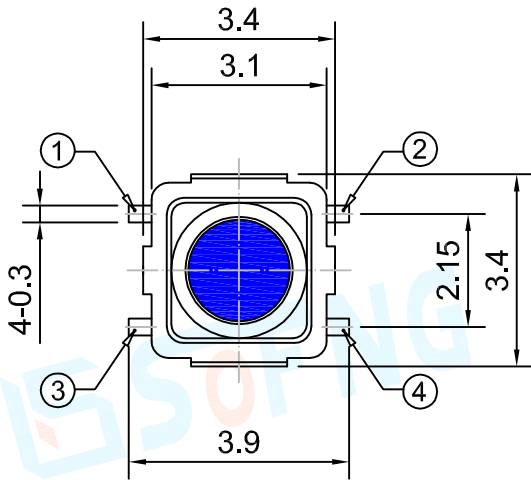
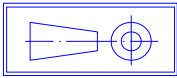
LEVEL		A[better product]	B[average product]
PROJECT			
Electrical	Contact Rating	25mA, 24V DC	
	Initial Contact Resistance	50mΩ max.	
Properties	Insulation Resistance	100MΩ min.500V DC	Skey/PD: 100MΩ min.300V DC
	Withstand Voltage	300V AC for 1 minute	250 V AC for 1 minut
Durable Performance	There No Load	120,000 Cycles	100,000 Cycles
	Rated Load	100,000 Cycles	85,000 Cycles
	Storage temp.	-35℃~+75℃(Operating Temp: )	
	Operating Force	1.6 / 2.6N. (1N.=100gram-force)	
	Heat Rrsistance	IR Reflow:255℃, 5sec. Manual:350℃, 3sec.	

Material declaration		
No.	NAME	Description
① A	基座	LCP 30%(Gray)耐高温塑胶 UL94V-0
② B	簧片	镀银&不锈钢 SUS304
③ C	覆膜	KTC 聚酰亚胺 Polyimide
④ D	拨柄	LCP 30%(Gray)耐高温塑胶 UL94V-0
⑤ E	盖板	不锈钢 SUS301-3/4H(t=0.12mm)
⑥ F	嵌件	C5191R-H (t=0.15mm)镀银磷铜

## CIRCUIT DIAGRAM

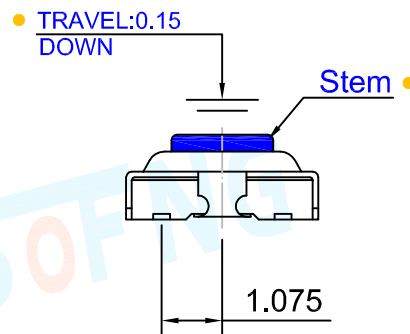
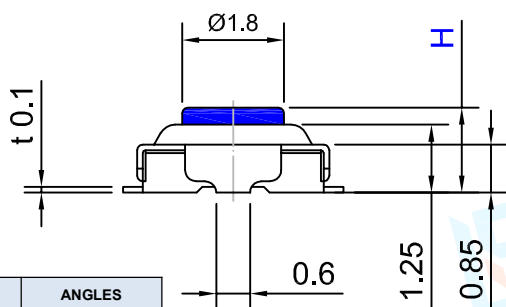
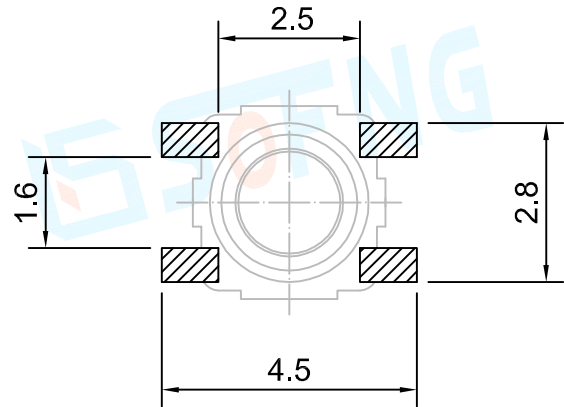


Unit:mm



## P.C.B LAYOUT

● 4-SMT SOLDER AREA



H
1.5
2.0
2.5

DECIMALS	ANGLES
.X :±0.15	X.° :±1.5°
.XX :±0.10	.XX° :±1.0°
.XXX :±0.05	.XXX° :±0.5°